

# ProcessMaster FEP300 Electromagnetic flowmeter

The process industry's first choice

Measurement made easy



#### One solution for all your needs

- The versatile product tailored to meet all your process applications

#### Versatile and simple configuration

- Through glass configuration eliminating the need to remove the cover and reducing commissioning time
- Soft key based functionality
- “Easy Set-up” function

#### State-of-the-art memory technology

- Revolutionary data storage enables transmitter interchange without the need for reconfiguration

#### ScanMaster in situ verification software option

- Allows the customer to perform in-situ verification of the flowmeter and plant

#### Advanced diagnostics for real-life situations

- Simplified plant trouble shooting increases productivity and process safety
- Status messages in accordance with NAMUR
- Help texts in the display

#### Un-paralleled service ability

- Fault finding help texts in the display
- Minimized down time with replaceable electronics cartridge
- Universal transmitter reduces spare parts inventory costs and storage costs

#### Approvals for explosion protection

- In accordance with ATEX, IECEx, FM, cFM, NEPSI and GOST

#### HART, PROFIBUS PA, FOUNDATION Fieldbus

- Access to all status information

## The Company

ABB is an established world force in the design and manufacture of instrumentation for industrial process control, flow measurement, gas and liquid analysis and environmental applications. As a world leader in process automation technology our worldwide presence, comprehensive service and application oriented know-how make ABB a leading supplier of flow measurement products.

## Introduction

### Setting the standard for the process industry

ProcessMaster is designed specifically to meet the increased requirements on advanced flowmeters. The modular design concept offers flexibility, cost-saving operation and reliability whilst providing a long service life and exceptionally low maintenance.

Integration into ABB asset management systems and usage of the selfmonitoring and diagnostic functions increase the plant availability and reduce downtimes.

### ScanMaster - the diagnostic tool

Can I rely on the measured values?

How can I determine the technical condition of my device? ScanMaster can answer these frequently asked questions.

And ScanMaster allows you to easily check the device for proper functioning either through its Infra-red service port or through the HART commands.



### Advanced diagnostic functions

Using its advanced diagnostic functions, the device monitors both its own operability and the process.

Limit values for the diagnostic parameters can be set locally. When these limits are exceeded, an alarm is tripped.

For further analysis, the diagnostic data can be read out via an advanced DTM. Critical states can, thus, be recognized early and appropriate measures can be taken.

As a result, productivity is increased and downtimes are avoided. The status messages are classified in accordance with the NAMUR recommendations.

In the event of an error, a diagnostic-dependent help text appears on the display which considerably simplifies and accelerates the troubleshooting procedure. The gives maximum safety for the process.

## Flow performance

Using a higher excitation frequency for the transmitter, ProcessMaster is a flowmeter with an especially short response time. With its advanced filtering methods, the device improves accuracy even under difficult conditions by separating the noise from the measuring signal. This leads to a maximum measuring error of 0.2 % of rate. Self-cleaning, double-sealed polished measuring electrodes enhance the device's reliability and performance.

## Easy and quick commissioning

Advanced data storage inside the sensor eliminates the need to match sensor and transmitter in the field. The on-board sensor memory automatically identifies the transmitter. On power-on, the transmitter self-configuration function is run and replicates all sensor data and TAG specific parameters into the transmitter. This eliminates the opportunity for errors and leads to an increased startup speed and reliability.

## Intuitive, convenient navigation

The factory-set parameters can be modified quickly and easily via the user-friendly display and the non-contact buttons, without opening the housing.

The "Easy Set-up" function reliably guides unpracticed users through the menu step by step.

The softkey-based functionality makes handling a breeze - it's just like using a cell phone. During the configuration, the permissible range of each parameter is indicated on the display and invalid entries are rejected.

## Universal transmitter - powerful and flexible

The backlit display can be easily rotated without the need for any tools. The contrast is adjustable and the display fully configurable. The character size, number of lines and display resolution (number of decimals) can be set as required. In multiplex operation, several different display options can be pre-configured and invoked one after the other.

The smart modular design of the transmitter unit allows for easy disassembly without the need to unscrew cables or unplug connectors.

Whether count pulses, 20 mA signals or the status output are active or passive, the universal transmitter always delivers the correct signal. HART is used as the standard protocol. Optionally, the transmitter is available with PROFIBUS PA or FOUNDATION Fieldbus communication.

The universal transmitter simplifies the spare parts inventory and reduces the stockholding costs.

## Assured quality

ProcessMaster is designed and manufactured in accordance with international quality procedures (ISO 9001) and all flowmeters are calibrated on nationally-traceable calibration rigs to provide the end-user with complete assurance of both quality and performance of the meter.



## ProcessMaster - always the first choice

ProcessMaster sets the standard for the process industry. It meets the various requirements of NAMUR. ProcessMaster is a universal device according to the Pressure Equipment Directive. In compliance with the requirements of NAMUR, the devices are categorized under category III for pipelines. As a result, ProcessMaster can be used universally. This reduces costs and increases safety.

## Overview of the ProcessMaster series

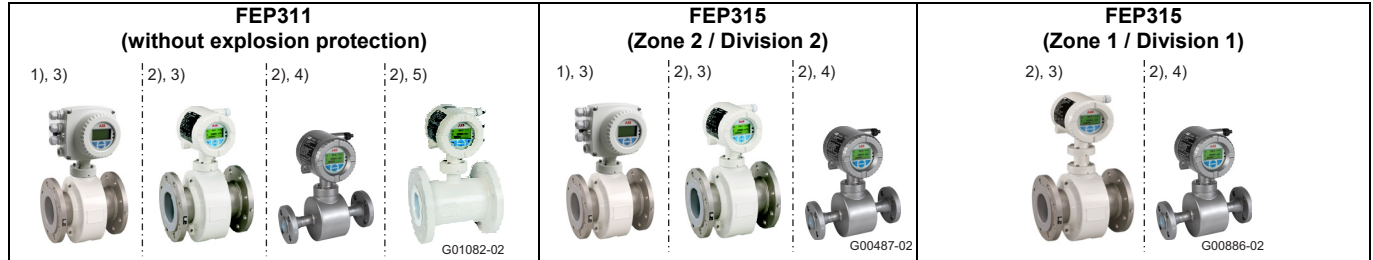
ProcessMaster is available in two series. ProcessMaster 300, which sets the standard in Process Flow measurement and ProcessMaster 500 with best in class extended functionality and options. The following table gives an overview.

	ProcessMaster	
	FEP300	FEP500
<b>Measuring accuracy</b> 0.4 % (optionally 0.2 %) of rate	X	-
<b>Measuring accuracy</b> 0.3 % (optionally 0.2 %) of rate	-	X
<b>Batch functions</b> Presetting counter, overrun correction, external start/stop, batch end contact	-	X
<b>Other software functions</b> Mass units, editable counter,	X	X
<b>Two measuring ranges</b>	-	X
<b>Graphic display</b> Line recorder function	X	X
<b>Diagnostic functions</b> Detection of gas bubbles or deposits on electrodes, conductivity monitoring, temperature monitoring, finger print, trend	-	X
<b>Partially filled</b> Recognition through partial filling electrode (TFE)	X	X
<b>Hardware options</b> Versions for extremely abrasive fluids: • Ceramic carbide liner, • Wolfram carbide electrodes, • Double layer electrodes	-	X
<b>Startup functions</b> Grounding check	-	X
<b>Fieldbus</b> PROFIBUS PA, FOUNDATION Fieldbus	X	X
<b>Verifications / Diagnostic tool</b> ScanMaster	X	X

This data sheet describes ProcessMaster 300.  
For ProcessMaster 500 refer to data sheet DS/FEP500

## Overview – models

### Integral mount design



Measured error	Default: 0.4 % of measured value, 0.2 % of measured value
Nominal diameter range	DN 3 ... 2000 (1/10 " ... 80 ")
Process connection <sup>6)</sup>	Flange in accordance with DIN 2501 / EN 1092-1, ASME B16.5 / B16.47, JIS, AS2129
Nominal pressure	PN 10 ... 100, ASME CL 150, 300, 600, 900, 1500, 2500
Liner	Hard rubber (DN 15 ... 2000), soft rubber (DN 50 ... 2000), PTFE (DN 10 ... 600), PFA (DN 3 ... 200), ETFE (DN 25 ... 600), Linatex (DN 50 ... 600)
Conductivity	> 5 µS/cm (20 µS/cm for demineralized water)
Electrodes	Stainless steel, Hastelloy B, Hastelloy C, platinum-iridium, tantalum, titanium, tungsten carbide
Process connection material	Steel, stainless steel
IP rating	IP 65, IP 67
Measuring medium temperature	-25 ... 180 °C (-13 ... 356 °F)
Power supply	100 ... 230 V AC (-15 / +10%), 24 V AC (-30 / +10%), 24 V DC (-30 / +30%)
current output	4 ... 20 mA, active or passive
Pulse output	Can be configured locally as active or passive using software
Switch output / switch input	Optoelectronic coupler, programmable function
Display	Graphical display, configurable
Housing	Integral mount design: choice of single-compartment housing or dual-compartment housing.
Communication	HART protocol (standard), PROFIBUS PA, FOUNDATION Fieldbus (option)
Explosion protection approvals	<ul style="list-style-type: none"> <li>• ATEX / IECEx zone 1, 2, 21, 22</li> <li>• NEPSI zone 1, 2</li> <li>• FM / cFM Cl 1 Div 1 (≤ DN 300), Cl 1 Div 2</li> <li>• GOST zone 1, 2</li> </ul>
Pressure Equipment Directive 97/23/EC	Conformity assessment in accordance with category III, fluid group 1
CRN (Canadian Reg.Number)	On request

1) Single-compartment housing.

2) Dual-compartment housing.

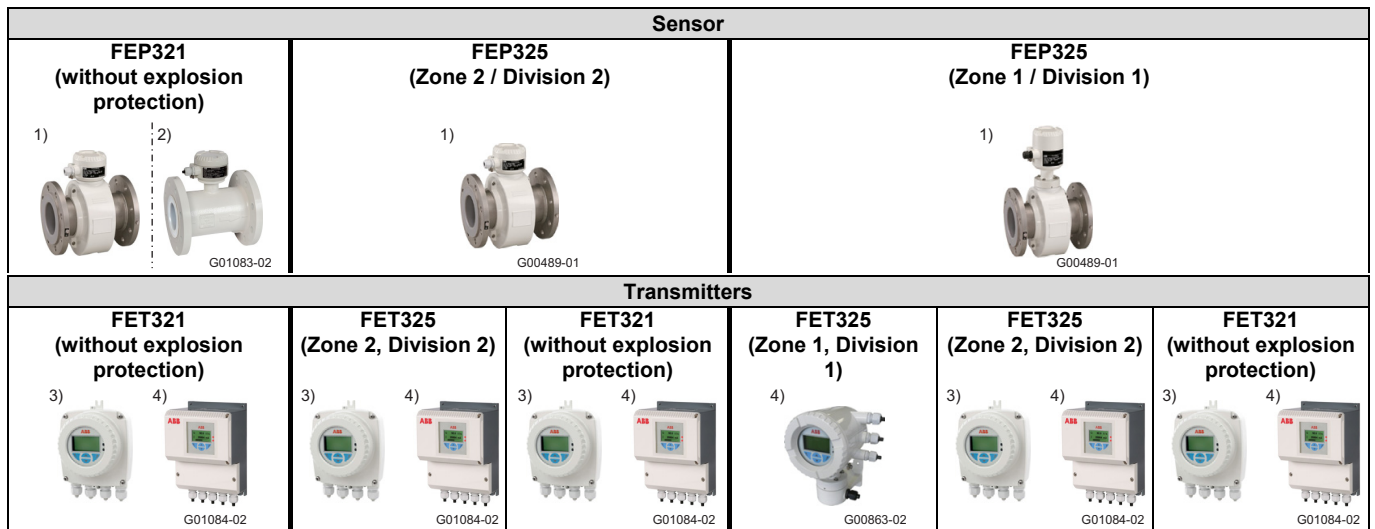
3) Design level "B" sensor.

4) Design level "B" sensor, all versions made from stainless steel.

5) Design level "C" sensor, DN 25 ... 600.

6) For information on flange thicknesses, see the chapters entitled "Dimensions for sensor design level „B"" on page 37 and "Dimensions for sensor design level „C"" on page 43.

## Remote mount design



Sensor	
Measured error	Default: 0.4 % of measured value, 0.2 % of measured value
Nominal diameter range	DN 3 ... 2000 (1/10 " ... 80 ")
Process connection <sup>5)</sup>	Flange in accordance with DIN 2501 / EN 1092-1, ASME B16.5 / B16.47, JIS 10K
Nominal pressure	PN 10 ... 100, ASME CL 150, 300, 600, 900, 1500, 2500
Liner	Hard rubber (DN 15 ... 2000), soft rubber (DN 50 ... 2000), PTFE (DN 10 ... 600), PFA (DN 3 ... 200), ETFE (DN 25 ... 600), Linatex (DN 50 ... 600)
Conductivity	> 5 µS/cm (20 µS/cm for demineralized water)
Electrodes	Stainless steel, Hastelloy B, Hastelloy C, platinum-iridium, tantalum, titanium, tungsten carbide
Process connection material	Steel, stainless steel
IP rating	IP 65, IP 67, IP 68, (NEMA 4X)
Fluid temperature	-25 ... 180 °C (-13 ... 356 °F)
Transmitters	
Power supply	100 ... 230 V AC (-15 / +10 %), 24 V AC (-30 / +10 %), 24 V DC (-30 / +30 %)
current output	4 ... 20 mA, active or passive
Pulse output	Can be configured locally as active or passive using software
Switch output / switch input	Optoelectronic coupler, programmable function
Display	Graphical display, configurable
Housing	Field mount housing: choice of single-compartment housing or dual-compartment housing
Communication	HART protocol (standard), PROFIBUS PA, FOUNDATION Fieldbus (option)
Approvals	
Explosion protection approvals	<ul style="list-style-type: none"> <li>• ATEX / IECEx zone 1, 2, 21, 22</li> <li>• NEPSI zone 1, 2</li> <li>• FM / cFM Cl 1 Div 1 (≤ DN 300), Cl 1 Div 2</li> <li>• GOST zone 1, 2</li> </ul>
Pressure Equipment Directive 97/23/EC	Conformity assessment in accordance with category III, fluid group 1
CRN (Canadian Reg.Number)	On request

1) Design level "B" sensor.

2) Design level "C" sensor, DN 25 ... 600.

3) Single-compartment housing.

4) Dual-compartment housing.

5) For information on flange thicknesses, see the chapters entitled "Dimensions for sensor design level „B"" on page 37 and "Dimensions for sensor design level „C"" on page 43.

## Specification - general

### Reference conditions

#### According to EN 29104

<b>Fluid temperature</b>	20 °C (68 °F) ± 2 K
<b>Ambient temperature</b>	20 °C (68 °F) ± 2 K
<b>Supply power</b>	Nominal voltage acc. to name plate $U_n \pm 1\%$ , frequency $f \pm 1\%$
<b>Installation conditions</b>	- Upstream >10 x DN, straight section - Downstream >5 x DN, straight section
<b>Warm-up phase</b>	30 min.

### Maximum measuring error

#### Impulse output

- Standard calibration:  
± 0.4 % of measured value,  
± 0.02 %  $Q_{max_{DN}}$  (DN 3 ... 2000)
- Optional calibration:  
± 0.2 % of measured value,  
± 0.02 %  $Q_{max_{DN}}$  (DN 10 ... 600, 800)

$Q_{max_{DN}}$ : See table in Section "Flowmeter sizes, flow range" on page 7.

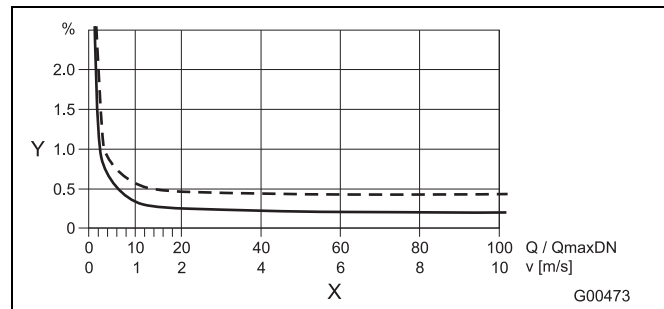


Fig. 1

- Y Accuracy ± of measured value in [%]
- X Flow velocity  $v$  in [m/s],  $Q / Q_{max_{DN}}$  [%]

### Analog output effects

Same as pulse output plus ± 0.1 % of measured value  
± 0.01 mA

### Reproducibility, response time

Reproducibility	≤ 0.11 % of measured value, $t_{meas} = 100$ s, $v = 0.5 \dots 10$ m/s
Response time of current output with damping of 0.02 seconds	As step function 0 ... 99 % $5 \tau \geq 200$ ms at 25 Hz excitation frequency $5 \tau \geq 400$ ms at 12.5 Hz excitation frequency $5 \tau \geq 500$ ms at 6.25 Hz excitation frequency

## Flowmeter sizes, flow range

The flow range end value can be set between  $0.02 \times Q_{\max \text{ DN}}$  and  $2 \times Q_{\max \text{ DN}}$ .

Nominal diameter		Min. flow range end value	$Q_{\max \text{ DN}}$	Max. flow range end value
DN	"	$0.02 \times Q_{\max \text{ DN}} (\approx 0.2 \text{ m/s})$	$0 \dots \approx 10 \text{ m/s}$	$2 \times Q_{\max \text{ DN}} (\approx 20 \text{ m/s})$
3	1/10	0.08 l/min (0.02 US gal/min)	4 l/min (1.06 US gal/min)	8 l/min (2.11 US gal/min)
4	5/32	0.16 l/min (0.04 US gal/min)	8 l/min (2.11 US gal/min)	16 l/min (4.23 US gal/min)
6	1/4	0.4 l/min (0.11 US gal/min)	20 l/min (5.28 US gal/min)	40 l/min (10.57 US gal/min)
8	5/16	0.6 l/min (0.16 US gal/min)	30 l/min (7.93 US gal/min)	60 l/min (15.85 US gal/min)
10	3/8	0.9 l/min (0.24 US gal/min)	45 l/min (11.9 US gal/min)	90 l/min (23.78 US gal/min)
15	1/2	2 l/min (0.53 US gal/min)	100 l/min (26.4 US gal/min)	200 l/min (52.8 US gal/min)
20	3/4	3 l/min (0.79 US gal/min)	150 l/min (39.6 US gal/min)	300 l/min (79.3 US gal/min)
25	1	4 l/min (1.06 US gal/min)	200 l/min (52.8 US gal/min)	400 l/min (106 US gal/min)
32	1 1/4	8 l/min (2.11 US gal/min)	400 l/min (106 US gal/min)	800 l/min (211 US gal/min)
40	1 1/2	12 l/min (3.17 US gal/min)	600 l/min (159 US gal/min)	1200 l/min (317 US gal/min)
50	2	1.2 m <sup>3</sup> /h (5.28 US gal/min)	60 m <sup>3</sup> /h (264 US gal/min)	120 m <sup>3</sup> /h (528 US gal/min)
65	2 1/2	2.4 m <sup>3</sup> /h (10.57 US gal/min)	120 m <sup>3</sup> /h (528 US gal/min)	240 m <sup>3</sup> /h (1057 US gal/min)
80	3	3.6 m <sup>3</sup> /h (15.9 US gal/min)	180 m <sup>3</sup> /h (793 US gal/min)	360 m <sup>3</sup> /h (1585 US gal/min)
100	4	4.8 m <sup>3</sup> /h (21.1 US gal/min)	240 m <sup>3</sup> /h (1057 US gal/min)	480 m <sup>3</sup> /h (2113 US gal/min)
125	5	8.4 m <sup>3</sup> /h (37 US gal/min)	420 m <sup>3</sup> /h (1849 US gal/min)	840 m <sup>3</sup> /h (3698 US gal/min)
150	6	12 m <sup>3</sup> /h (52.8 US gal/min)	600 m <sup>3</sup> /h (2642 US gal/min)	1200 m <sup>3</sup> /h (5283 US gal/min)
200	8	21.6 m <sup>3</sup> /h (95.1 US gal/min)	1080 m <sup>3</sup> /h (4755 US gal/min)	2160 m <sup>3</sup> /h (9510 US gal/min)
250	10	36 m <sup>3</sup> /h (159 US gal/min)	1800 m <sup>3</sup> /h (7925 US gal/min)	3600 m <sup>3</sup> /h (15850 US gal/min)
300	12	48 m <sup>3</sup> /h (211 US gal/min)	2400 m <sup>3</sup> /h (10567 US gal/min)	4800 m <sup>3</sup> /h (21134 US gal/min)
350	14	66 m <sup>3</sup> /h (291 US gal/min)	3300 m <sup>3</sup> /h (14529 US gal/min)	6600 m <sup>3</sup> /h (29059 US gal/min)
400	16	90 m <sup>3</sup> /h (396 US gal/min)	4500 m <sup>3</sup> /h (19813 US gal/min)	9000 m <sup>3</sup> /h (39626 US gal/min)
450	18	120 m <sup>3</sup> /h (528 US gal/min)	6000 m <sup>3</sup> /h (26417 US gal/min)	12000 m <sup>3</sup> /h (52834 US gal/min)
500	20	132 m <sup>3</sup> /h (581 US gal/min)	6600 m <sup>3</sup> /h (29059 US gal/min)	13200 m <sup>3</sup> /h (58117 US gal/min)
600	24	192 m <sup>3</sup> /h (845 US gal/min)	9600 m <sup>3</sup> /h (42268 US gal/min)	19200 m <sup>3</sup> /h (84535 US gal/min)
700	28	264 m <sup>3</sup> /h (1162 US gal/min)	13200 m <sup>3</sup> /h (58118 US gal/min)	26400 m <sup>3</sup> /h (116236 US gal/min)
760	30	312 m <sup>3</sup> /h (1374 US gal/min)	15600 m <sup>3</sup> /h (68685 US gal/min)	31200 m <sup>3</sup> /h (137369 US gal/min)
800	32	360 m <sup>3</sup> /h (1585 US gal/min)	18000 m <sup>3</sup> /h (79252 US gal/min)	36000 m <sup>3</sup> /h (158503 US gal/min)
900	36	480 m <sup>3</sup> /h (2113 US gal/min)	24000 m <sup>3</sup> /h (105669 US gal/min)	48000 m <sup>3</sup> /h (211337 US gal/min)
1000	40	540 m <sup>3</sup> /h (2378 US gal/min)	27000 m <sup>3</sup> /h (118877 US gal/min)	54000 m <sup>3</sup> /h (237754 US gal/min)
1050	42	616 m <sup>3</sup> /h (2712 US gal/min)	30800 m <sup>3</sup> /h (135608 US gal/min)	61600 m <sup>3</sup> /h (271217 US gal/min)
1100	44	660 m <sup>3</sup> /h (3038 US gal/min)	33000 m <sup>3</sup> /h (151899 US gal/min)	66000 m <sup>3</sup> /h (290589 US gal/min)
1200	48	840 m <sup>3</sup> /h (3698 US gal/min)	42000 m <sup>3</sup> /h (184920 US gal/min)	84000 m <sup>3</sup> /h (369841 US gal/min)
1400	54	1080 m <sup>3</sup> /h (4755 US gal/min)	54000 m <sup>3</sup> /h (237755 US gal/min)	108000 m <sup>3</sup> /h (475510 US gal/min)
1500	60	1260 m <sup>3</sup> /h (5548 US gal/min)	63000 m <sup>3</sup> /h (277381 US gal/min)	126000 m <sup>3</sup> /h (554761 US gal/min)
1600	66	1440 m <sup>3</sup> /h (6340 US gal/min)	72000 m <sup>3</sup> /h (317006 US gal/min)	144000 m <sup>3</sup> /h (634013 US gal/min)
1800	72	1800 m <sup>3</sup> /h (7925 US gal/min)	90000 m <sup>3</sup> /h (396258 US gal/min)	180000 m <sup>3</sup> /h (792516 US gal/min)
2000	80	2280 m <sup>3</sup> /h (10039 US gal/min)	114000 m <sup>3</sup> /h (501927 US gal/min)	228000 m <sup>3</sup> /h (1003853 US gal/min)



## Specifications - sensor

### IP rating

In accordance with EN 60529

IP 65, P 67, NEMA 4X

IP 68 (for remote mount design only)

### Pipe vibration

In accordance with EN 60068-2-6

Applicable to sensors in remote mount design and sensors in integral mount design with aluminum transmitter housing.

- In the 10 ... 58 Hz range, max. deflection 0.15 mm (0.006 inch)
- In the 58 ... 150 Hz range, max. acceleration 2 g

### Installation length

The flange devices comply with the installation lengths specified in VDI/VDE 2641, ISO 13359, or according to DVGW (process sheet W420, design WP, ISO 4064 short).

### Signal cable

For remote mount design only

A 5 m (16.4 ft) cable is included in the scope of delivery.

If more than 5 m (16.4 ft) is required, the cable can be ordered separately (for ordering information, see the table below or the chapter entitled "Accessories" on page 71).

Application	Signal cable	
	D173D031U01	D173D027U01
Non-Ex (< DN 15)	✗	✓
Non-Ex (≥ DN 15)	✓	✓
Zone 2 / Division 2 (< DN 15)	✗	✓
Zone 2 / Division 2 (≥ DN 15)	✓	✓
Zone 1 / Division 1 (all nominal diameters)	✗	✓

- ✗ Application not permitted      ■ Supplied as standard  
 ✓ Application permitted

On the transmitter design for use in Zone 1, Division 1 (model FET325), 10 m (32.8 ft) of signal cable is permanently connected to the transmitter.

### Signal cable length and preamplifier

A preamplifier is required for cable lengths > 50 m (164 ft).

Maximum signal cable length between sensor and transmitter:

Preamplifier	Signal cable length
without	Max. 50 m (164 ft) for conductivity ≥ 5 μS/cm
with	Max. 200 m (656 ft) for conductivity ≥ 5 μS/cm

### Temperature Data

The temperature range offered by the device is dependent on a number of different factors.

These factors include the measuring medium temperature, the ambient temperature, the operating pressure, the liner material and the approvals for the explosion protection.

### Storage temperature

-40 ... 70 °C (-40 ... 158 °F)

### Minimum permissible pressure depending on measuring medium temperature

Design level "B" sensor			
Liner	Nominal Diameter	P <sub>operating at mbar abs.</sub>	T <sub>medium</sub> <sup>1)</sup>
Hard rubber	15 ... 2000 (1/2 ... 80")	0	< 90 °C (194 °F) < 80 °C (176 °F) <sup>2)</sup>
		0	< 60 °C (140 °F)
PTFE	10 ... 600 (3/8 ... 24")	270	< 20 °C (68 °F)
		400	< 100 °C (212 °F)
		500	< 130 °C (266 °F)
Thick PTFE, high-temp. design	25 ... 80 100 ... 250 300	0	< 180 °C (356 °F)
		67	< 180 °C (356 °F)
		27	< 180 °C (356 °F)
PFA	3 ... 200 (1/10 ... 8")	0	< 180 °C (356 °F)
ETFE	25 ... 600 (1 ... 24")	100	< 130 °C (266 °F)
Linatex <sup>2)</sup>	50 ... 600 (2 ... 24")	0	< 70 °C (158 °F)

Design level "C" sensor			
Liner	Nominal Diameter	P <sub>operating at mbar abs.</sub>	T <sub>medium</sub> <sup>1)</sup>
Hard rubber	40 ... 600 (1 1/2 ... 24")	600	< 80 °C (176 °F)
		600	< 80 °C (176 °F)
PTFE	25 ... 600 (1 ... 24")	270	< 20 °C (68 °F)
		400	< 100 °C (212 °F)
		500	< 130 °C (266 °F)

- 1) For CIP/SIP cleaning, higher temperatures are permitted for limited time periods; refer to the table entitled "Maximum permissible cleaning temperature".  
 2) For China production site only.

Liner approvals on request; please contact ABB.

### Maximum permissible cleaning temperature

CIP cleaning	Sensor lining	T <sub>max</sub>	T <sub>max</sub> minutes	T <sub>amb.</sub>
Steam cleaning	PTFE, PFA	150 °C (302 °F)	60	25 °C (77 °F)
Fluids	PTFE, PFA	140 °C (284 °F)	60	25 °C (77 °F)

If the ambient temperature is > 25 °C, the difference must be subtracted from the max. cleaning temperature. T<sub>max</sub> - Δ °C (Δ °C = T<sub>amb.</sub> - 25 °C).



### Maximum ambient temperature depending on measuring medium temperature

#### Note

When using the device in potentially explosive atmospheres, note the additional temperature data in the chapter entitled "Ex relevant specifications" on page 21.

#### Integral mount design (standard sensor)

Liner	Flange material	Ambient temperature		Measuring medium temperature	
		Minimum	Maximum	Minimum	Maximum
Hard rubber	Steel	-10 °C (14 °F)	60 °C (140 °F)	-10 °C (14 °F) -5 °C (23 °F) <sup>1)</sup>	90 °C (194 °F) <sup>4)</sup> 80 °C (176 °F) <sup>1)</sup>
Hard rubber	Stainless steel	-15 °C (5 °F)	60 °C (140 °F)	-15 °C (5 °F) -5 °C (23 °F) <sup>1)</sup>	90 °C (194 °F) <sup>4)</sup> 80 °C (176 °F) <sup>1)</sup>
Soft rubber	Steel	-10 °C (14 °F)	60 °C (140 °F)	-10 °C (14 °F)	60 °C (140 °F)
Soft rubber	Stainless steel	-15 °C (5 °F)	60 °C (140 °F)	-15 °C (5 °F)	60 °C (140 °F)
PTFE	Steel	-10 °C (14 °F)	60 °C (140 °F) 45 °C (113 °F)	-10 °C (14 °F)	90 °C (194 °F) 130 °C (266 °F)
PTFE	Stainless steel	-20 °C (-4 °F) -40 °C (-40 °F) <sup>2)</sup>	60 °C (140 °F) 45 °C (113 °F)	-25 °C (-13 °F)	90 °C (194 °F) 130 °C (266 °F)
PFA	Steel	-10 °C (14 °F)	60 °C (140 °F) 45 °C (113 °F)	-10 °C (14 °F)	90 °C (194 °F) 130 °C (266 °F)
PFA	Stainless steel	-20 °C (-4 °F) -40 °C (-40 °F) <sup>2)</sup>	60 °C (140 °F) 45 °C (113 °F)	-25 °C (-13 °F)	90 °C (194 °F) 130 °C (266 °F)
Thick PTFE	Steel	-10 °C (14 °F)	60 °C (140 °F) 45 °C (113 °F)	-10 °C (14 °F)	90 °C (194 °F) 130 °C (266 °F)
Thick PTFE	Stainless steel	-20 °C (-4 °F) -40 °C (-40 °F) <sup>2)</sup>	60 °C (140 °F) 45 °C (113 °F)	-25 °C (-13 °F)	90 °C (194 °F) 130 °C (266 °F)
ETFE	Steel	-10 °C (14 °F)	60 °C (140 °F) 45 °C (113 °F)	-10 °C (14 °F)	90 °C (194 °F) 130 °C (266 °F)
ETFE	Stainless steel	-20 °C (-4 °F) -40 °C (-40 °F) <sup>2)</sup>	60 °C (140 °F) 45 °C (113 °F)	-25 °C (-13 °F)	90 °C (194 °F) 130 °C (266 °F)
Linatex <sup>1)</sup>	Steel	-10 °C (14 °F)	60 °C (140 °F)	-10 °C (14 °F)	70 °C (158 °F)
Linatex <sup>1)</sup>	Stainless steel	-20 °C (-4 °F)	60 °C (140 °F)	-20 °C (-4 °F)	70 °C (158 °F)

#### Integral mount design (high-temperature sensor)<sup>3)</sup>

Liner	Flange material	Ambient temperature		Measuring medium temperature	
		Minimum	Maximum	Minimum	Maximum
PFA	Steel	-10 °C (14 °F)	60 °C (140 °F)	-10 °C (14 °F)	180 °C (356 °F)
PFA	Stainless steel	-20 °C (-4 °F) -40 °C (-40 °F) <sup>2)</sup>	60 °C (140 °F)	-20 °C (-13 °F)	180 °C (356 °F)
Thick PTFE	Steel	-10 °C (14 °F)	60 °C (140 °F)	-10 °C (14 °F)	180 °C (356 °F)
Thick PTFE	Stainless steel	-20 °C (-4 °F) -40 °C (-40 °F) <sup>2)</sup>	60 °C (140 °F)	-20 °C (-13 °F)	180 °C (356 °F)
ETFE	Steel	-10 °C (14 °F)	60 °C (140 °F)	-10 °C (14 °F)	130 °C (266 °F)
ETFE	Stainless steel	-20 °C (-4 °F) -40 °C (-40 °F) <sup>2)</sup>	60 °C (140 °F)	-20 °C (-13 °F)	130 °C (266 °F)

1) For China production site only.

2) For (optional) low-temperature version only.

3) With sensor design level "B" only.

4) The maximum measuring medium temperature is reduced to 80 °C (176 °F) for design level "C" sensors with a hard rubber liner.

**Note**

When using the device in potentially explosive atmospheres, note the additional temperature data in the chapter entitled "Ex relevant specifications" on page 21.

**Remote mount design (standard sensor)**

Liner	Flange material	Ambient temperature		Measuring medium temperature	
		Minimum	Maximum	Minimum	Maximum
Hard rubber	Steel	-10 °C (14 °F)	60 °C (140 °F)	-10 °C (14 °F) -5 °C (23 °F) <sup>1)</sup>	90 °C (194 °F) <sup>4)</sup> 80 °C (176 °F) <sup>1)</sup>
Hard rubber	Stainless steel	-15 °C (5 °F)	60 °C (140 °F)	-15 °C (5 °F) -5 °C (23 °F) <sup>1)</sup>	90 °C (194 °F) <sup>4)</sup> 80 °C (176 °F) <sup>1)</sup>
Soft rubber	Steel	-10 °C (14 °F)	60 °C (140 °F)	-10 °C (14 °F)	60 °C (140 °F)
Soft rubber	Stainless steel	-15 °C (5 °F)	60 °C (140 °F)	-15 °C (5 °F)	60 °C (140 °F)
PTFE	Steel	-10 °C (14 °F)	60 °C (140 °F)	-10 °C (14 °F)	130 °C (266 °F)
PTFE	Stainless steel	-25 °C (-13 °F) -40 °C (-40 °F) <sup>2)</sup>	60 °C (140 °F)	-25 °C (-13 °F)	130 °C (266 °F)
PFA	Steel	-10 °C (14 °F)	60 °C (140 °F)	-10 °C (14 °F)	130 °C (266 °F)
PFA	Stainless steel	-25 °C (-13 °F) -40 °C (-40 °F) <sup>2)</sup>	60 °C (140 °F)	-25 °C (-13 °F)	130 °C (266 °F)
Thick PTFE	Steel	-10 °C (14 °F)	60 °C (140 °F)	-10 °C (14 °F)	130 °C (266 °F)
Thick PTFE	Stainless steel	-25 °C (-13 °F) -40 °C (-40 °F) <sup>2)</sup>	60 °C (140 °F)	-25 °C (-13 °F)	130 °C (266 °F)
ETFE	Steel	-10 °C (14 °F)	60 °C (140 °F)	-10 °C (14 °F)	130 °C (266 °F)
ETFE	Stainless steel	-25 °C (-13 °F)	60 °C (140 °F)	-25 °C (-13 °F)	130 °C (266 °F)
Linatex <sup>1)</sup>	Steel	-10 °C (14 °F)	60 °C (140 °F)	-10 °C (14 °F)	70 °C (158 °F)
Linatex <sup>1)</sup>	Stainless steel	-20 °C (-4 °F)	60 °C (140 °F)	-20 °C (-4 °F)	70 °C (158 °F)

**Remote mount design (high-temperature sensor)<sup>3)</sup>**

Liner	Flange material	Ambient temperature		Measuring medium temperature	
		Minimum	Maximum	Minimum	Maximum
PFA	Steel	-10 °C (14 °F)	60 °C (140 °F)	-10 °C (14 °F)	180 °C (356 °F)
PFA	Stainless steel	-25 °C (-13 °F) -40 °C (-40 °F) <sup>2)</sup>	60 °C (140 °F)	-25 °C (-13 °F)	180 °C (356 °F)
Thick PTFE	Steel	-10 °C (14 °F)	60 °C (140 °F)	-10 °C (14 °F)	180 °C (356 °F)
Thick PTFE	Stainless steel	-25 °C (-13 °F) -40 °C (-40 °F) <sup>2)</sup>	60 °C (140 °F)	-25 °C (-13 °F)	180 °C (356 °F)
ETFE	Steel	-10 °C (14 °F)	60 °C (140 °F)	-10 °C (14 °F)	130 °C (266 °F)
ETFE	Stainless steel	-25 °C (-13 °F) -40 °C (-40 °F) <sup>2)</sup>	60 °C (140 °F)	-25 °C (-13 °F)	130 °C (266 °F)

1) For China production site only.

2) For (optional) low-temperature version only.

3) With sensor design level "B" only.


4) The maximum measuring medium temperature is reduced to 80 °C (176 °F) for design level "C" sensors with a hard rubber liner.


## Materials for sensors


## Wetted parts

Part	Standard	Option
Liner	PTFE, PFA, ETFE, hard rubber, soft rubber	Linatex
Measurement and grounding electrode for:		
- Hard rubber	Stainless steel 1.4571 (AISI 316Ti)	Hastelloy B-3 (2.4600), Hastelloy C-4 (2.4610), titanium, tantalum, platinum-iridium, 1.4539 (AISI 904L), tungsten carbide
- Soft rubber		
- PTFE, PFA, ETFE	Stainless steel 1.4539 (AISI 904L)	Stainless steel 1.4571 (AISI 316Ti) Hast. C-4 (2.4610) Hast. B-3 (2.4600) Titanium, tantalum, platinum-iridium
Grounding plate	Stainless steel	On request
Protection plate	Stainless steel	On request

## Non-wetted parts (process connection)

Design level "B" sensor		
 G01340		
Nominal Diameter	Standard	Option
DN 3 ... 15 (1/10 ... 1/2")	Stainless steel <sup>1)</sup>	-
DN 20 ... 400 (3/4 ... 16")	Steel (galvanized) <sup>2)</sup>	Stainless steel <sup>1)</sup>
DN 450 ... 2000 (18 ... 80")	Steel (painted) <sup>2)</sup>	-


Design level "B" sensor		
 G01342		
Nominal Diameter	Standard	Option
DN 25 ... 400 (1 ... 16")	Stainless steel (AISI 316, 316L)	-


Design level "C" sensor		
 G01341		
Nominal Diameter	Standard	Option
DN 25 ... 600 (1 ... 24")	Steel (painted) <sup>2)</sup>	-


The process connections are made of one of the materials listed below:

- 1.4301 (AISI 304), 1.4307, 1.4404 (AISI 316L), 1.4435 (AISI 316L), 1.4541 (AISI 321), 1.4571 (AISI 316Ti), ASTM A182 F304, ASTM A182 F304L, ASTM A182 F316L, ASTM A182 F321, ASTM A182 F316Ti, ASTM A182 F316, 0Cr18Ni9, 0Cr18Ni10, 0Cr17Ni13Mo2, 0Cr27Ni12Mo3, 1Cr18Ni9Ti, 0Cr18Ni12Mo2Ti
- 1.0038, 1.0460, 1.0570, 1.0432, ASTM A105, Q255A, 20#, 16Mn

## Sensor housing

Design level "B" sensor	
 G01340	
Housing	
DN 3 ... 400 (1/10 ... 16")	Pair case, cast aluminum, painted, paint coat, $\geq 80 \mu\text{m}$ thick, RAL 9002
DN 450 ... 2000 (18 ... 80")	Welded steel design, painted, paint coat, $\geq 80 \mu\text{m}$ thick, RAL 9002
Terminal box	Aluminum alloy, painted, $\geq 80 \mu\text{m}$ thick, gray white, RAL 9002
Meter tube	Stainless steel <sup>3)</sup>
Cable gland <sup>4)</sup>	Polyamide Stainless steel (in the case of explosion-proof design for ambient temperature of $-40 \text{ }^\circ\text{C}$ [ $40 \text{ }^\circ\text{F}$ ])

Design level "B" sensor	
 G01342	
Housing + meter tube	
DN 25 ... 400 (1 ... 16")	Stainless steel (AISI 316, 316L)
Cable gland <sup>4)</sup>	Polyamide

Design level "C" sensor	
 G01341	
Housing + meter tube	
DN 25 ... 600 (1 ... 24")	Steel, painted, paint coat, $\geq 80 \mu\text{m}$ thick, RAL 9002
Terminal box	Aluminum alloy, painted, $\geq 80 \mu\text{m}$ thick, gray white, RAL 9002
Cable gland <sup>4)</sup>	Polyamide

The meter tube is made of one of the materials listed below:

- 1.4301, 1.4307, 1.4404, 1.4435, 1.4541, 1.4571  
ASTM materials:  
Grade TP304, TP304L, TP316L, TP321, TP316Ti, TP317L, 0Cr18Ni9, 0Cr18Ni10, 0Cr17Ni14Mo2, 0Cr27Ni12Mo3, 0Cr18Ni10Ti
- Cable gland with M20x1.5 or NPT thread, to be selected via the order number.

Overview sensor design level "C"

Sensor Size	Pressure rating	Carbon steel flange	PTFE	Hard rubber	Electrode design: Standard	Sensor temp. Range: Standard Ambient temp. range: -20 ... 60 °C
DN 25 (1")	DIN PN 10, DIN PN 16, DIN PN 25, DIN PN 40	X	X	—	X	X
DN 32 (1 1/4")		X	X	—	X	X
DN 40 (1 1/2")		X	X	X	X	X
DN 50 (2")		X	X	X	X	X
DN 65 (2 1/2")		X	X	X	X	X
DN 80 (3")		X	X	X	X	X
DN 100 (4")		X	X	X	X	X
DN 125 (5")		X	X	X	X	X
DN 150 (6")	ASME CL 150, CL 300	X	X	X	X	X
DN 200 (8")		X	X	X	X	X
DN 250 (10")	JIS 10 K	X	X	X	X	X
DN 300 (12")		X	X	X	X	X
DN 350 (14")		X	X	X	X	X
DN 400 (16")		X	X	X	X	X
DN 450 (18")		X	X	X	X	X
DN 500 (20")		X	X	X	X	X
DN 600 (24")	X	X	X	X	X	

Material load

Limits for the permissible fluid temperature (TS) and permissible pressure (PS) are calculated on the basis of the lining and flange material used in the device (refer to the name plate on the device).

Flowmeter sensor design level "B"

DIN flange stainless steel up to DN 600 (24")

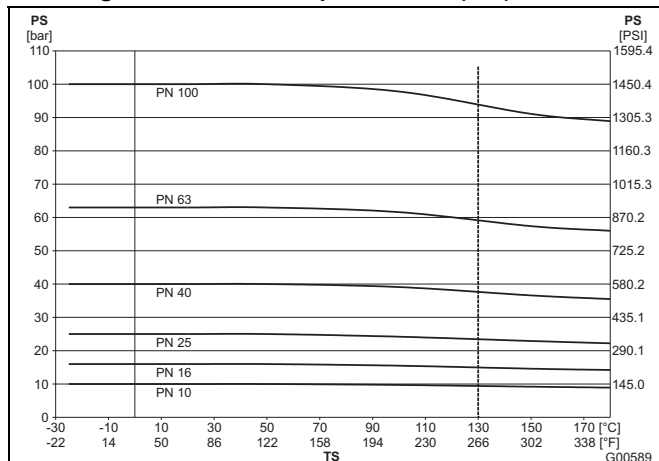


Fig. 2

ASME flange, stainless steel, up to DN 400 (16") (CL150/300) up to DN 1000 (40") (CL150)

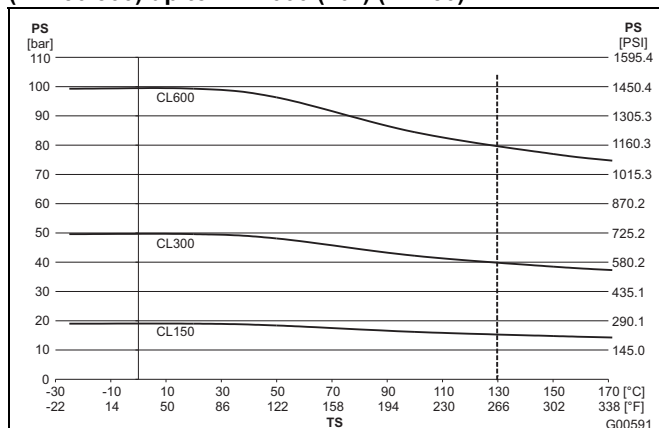


Fig. 3

**DIN flange, steel, up to DN 600 (24")**

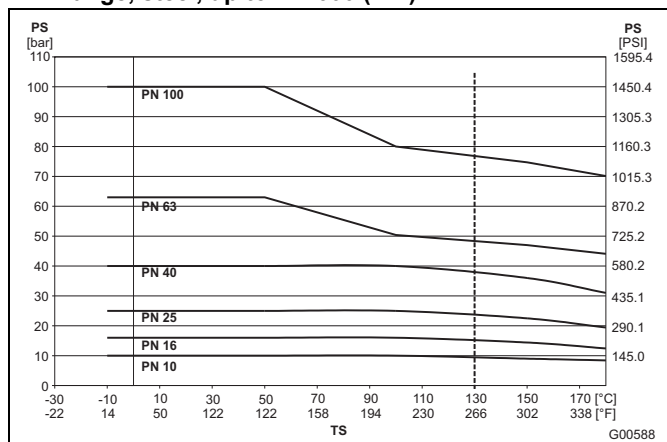


Fig. 4

**DIN flange, stainless steel, DN 700 (28") up to DN 1000 (40")**

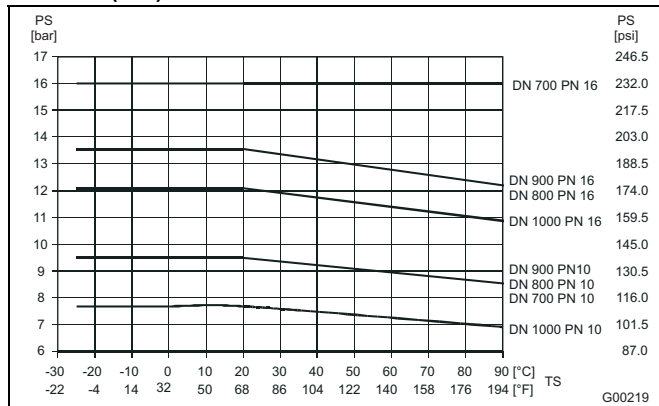


Fig. 6

**ASME flange, steel, up to DN 400 (16") (CL150/300); up to DN 1000 (40") (CL150)**

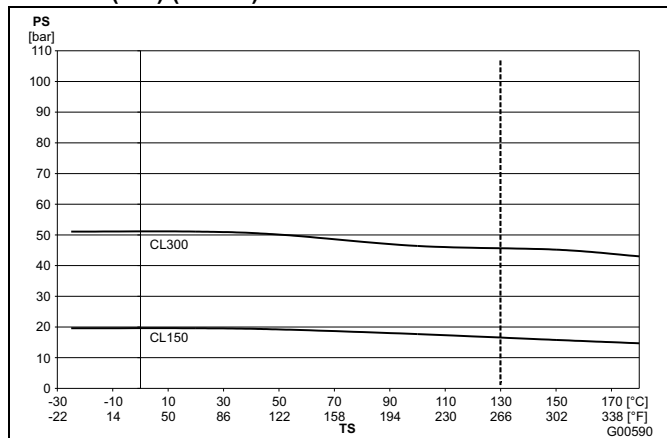


Fig. 5

**DIN flange, steel, DN 700 (28") up to DN 1000 (40")**

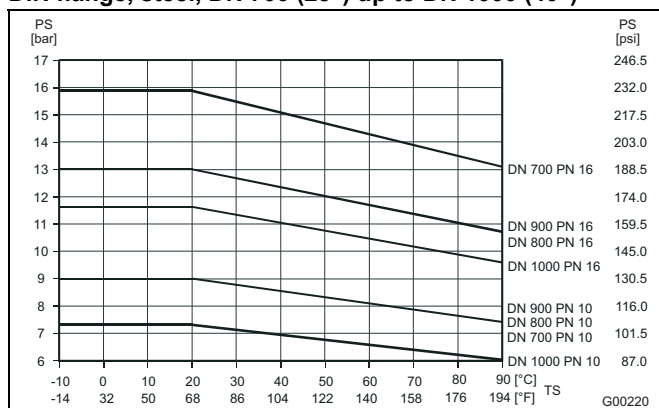


Fig. 7

**JIS 10K-B2210 flange**

Nominal diameter	Material	PN	TS	PS
32 ... 400 (1 1/4 ... 16")	Stainless steel	10	-25 ... 180 °C (-13 ... 356 °F)	10 bar (145 psi)
32 ... 400 (1 1/4 ... 16")	Steel	10	-10 ... 180 °C (14 ... 356 °F)	10 bar (145 psi)

**ASME flange, Steel, DN 25 ... 400 (1 ... 24")**

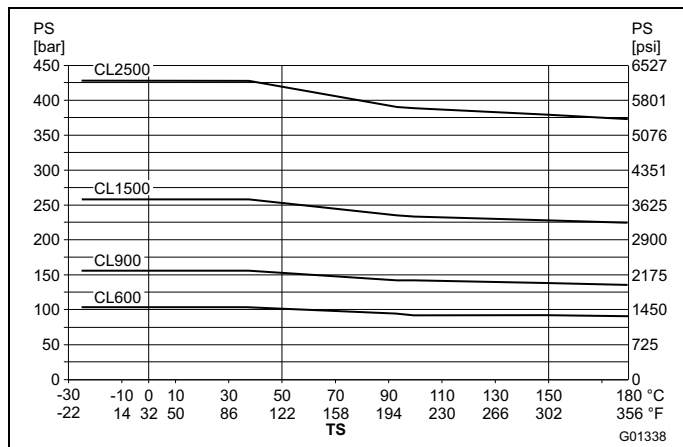


Fig. 8

**Flowmeter sensor design level "C"**

**Steel casted housing, DN 25 ... 600 (1 ... 24")**

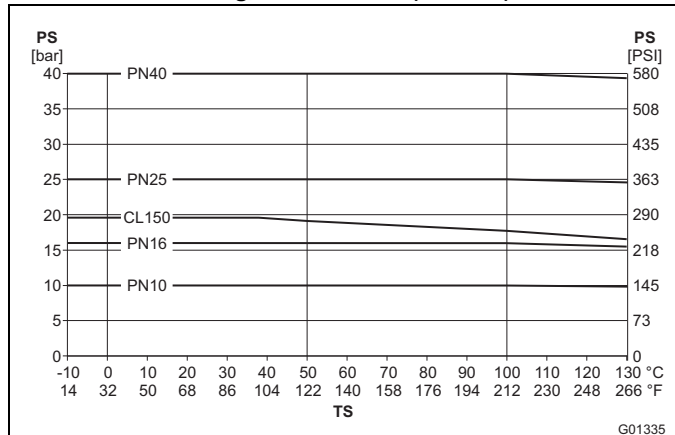


Fig. 10

**ASME flange, stainless steel, DN 25 ... 400 (1 ... 24")**

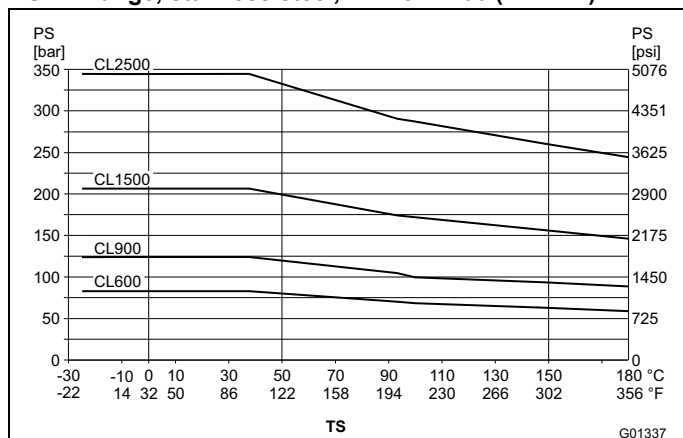


Fig. 9

**Welded steel housing, DN 25 ... 600 (1 ... 24")**

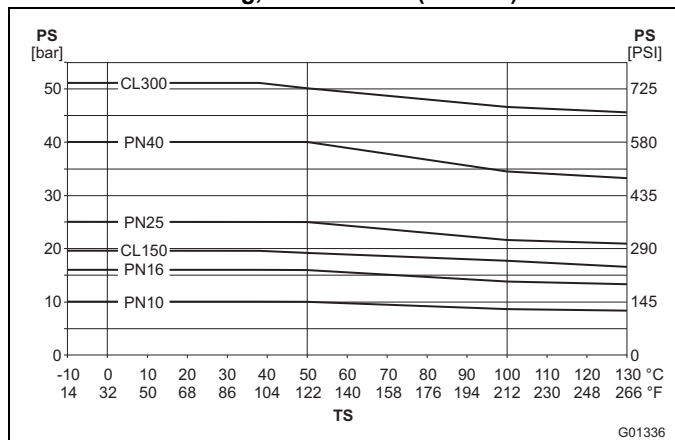


Fig. 11

## Specifications - transmitter

### IP rating

In accordance with EN 60529

IP 65, IP 67, NEMA 4X

### Vibration

In accordance with EN 60068-2

Applicable to transmitters with remote mount design.

- In the 10 ... 58 Hz range, max. deflection 0.15 mm (0.006 inch) <sup>1)</sup>
- In the 58 ... 150 Hz range, max. acceleration 2 g <sup>1)</sup>

1) Peak load

### Temperature Data

Ambient temperature

Standard: -20 ... 60 °C (-4 ... 140 °F)

Extended: -40 ... 60 °C (-40 ... 140 °F)

### Storage temperature range

-40 ... 70 °C (-40 ... 158 °F)

## Electrical data and options

### Power supply

<b>Supply voltage</b>	100 ... 230 V AC (-15 % / +10 %), 47 ... 64 Hz 24 V AC (-30 % / +10 %), 47 ... 64 Hz 24 V DC (-30 % / +30 %), Ripple: < 5 %	
<b>Power consumption</b>	AC ≤ 20 VA Inrush current at 230 V: 8.8 A	DC 12 W Inrush current: 5.6 A
<b>Screw terminals</b>	Maximum 2.5 mm <sup>2</sup> (AWG 14)	

### Isolation of inputs / outputs

The current output, digital outputs DO1 and DO2, and digital input are electrically isolated from the sensor input circuit and from each other. The same applies to the signal outputs of the versions with PROFIBUS PA and FOUNDATION Fieldbus.

### Empty conduit detection

This function requires the following:

The conductivity of the measuring medium must be  $\geq 20 \mu\text{S/cm}$ , the signal cable length must be  $\leq 50 \text{ m}$  (164 ft) and the nominal diameter DN must be  $\geq \text{DN } 10$ . Furthermore, no preamplifier may be fitted to the sensor.

## Mechanical properties

Integral mount design	Housing made of Aluminium	Housing made of stainless steel
<b>Housing</b>	Cast aluminum, painted	Stainless steel CF3M
<b>Paint</b>	Paint coat $\geq 80 \mu\text{m}$ thick, RAL 9002 (light gray)	-
<b>Cable gland<sup>2)</sup></b>	Polyamide	Polyamide
	Stainless steel <sup>1)</sup>	Stainless steel <sup>1)</sup>

Remote mount design	
<b>Housing</b>	Cast aluminum, painted
<b>Paint</b>	Paint coat $\geq 80 \mu\text{m}$ thick, RAL 7012 (dark gray), front cover / rear cover RAL 9002 (light gray)
<b>Cable gland<sup>2)</sup></b>	Polyamide
	Stainless steel <sup>1)</sup>
<b>Weight</b>	4.5 kg (9.92 lb)

1) In the case of hazardous area design for ambient temperature of -40 °C (40 °F)

2) Cable Gland with M20x1,5 thread or NPT thread with plug to be specified through modelcode



### Electrical connections

#### HART, PROFIBUS PA and FOUNDATION Fieldbus protocols for devices that do not have an explosion-proof design

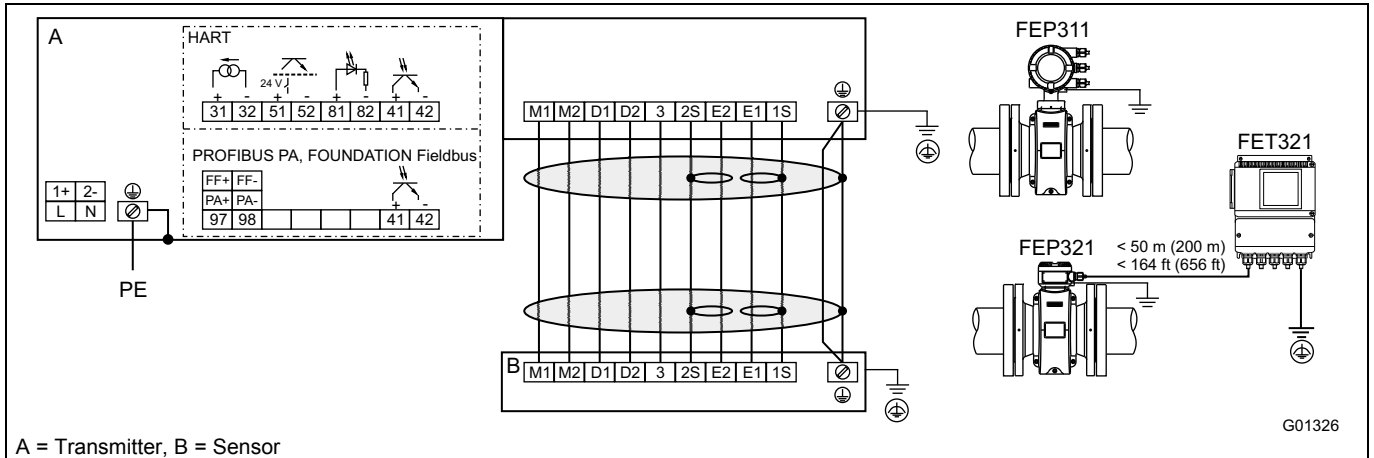


Fig. 12: HART-, PROFIBUS PA- and FOUNDATION Fieldbus protocol

#### Power supply connections

AC power supply	
Terminal	Function / Notes
L	Live / Phase
N	Neutral
PE / ⊕	Protective earth (PE)

DC power supply	
Terminal	Function / Notes
1+	+
2-	-
PE / ⊕	Protective earth (PE)

#### Sensor cable terminal connections

Only on remote mount design.

Terminal	Function / Notes	Wire color
M1	Magnet coil	Brown
M2	Magnet coil	Red
D1	Data line	Orange
D2	Data line	Yellow
⊕ / SE	Shield	-
E1	Signal line	Violet
1S	Schield for E1	-
E2	Signal line	Blue
2S	Schield for E2	-
3	Measurement potential	Green

#### Output connections

Terminal	Function / Notes
31 / 32	<b>Current / HART output</b> The current output is available in "active" or "passive" mode.
97 / 98	<b>Digital communication</b> PROFIBUS PA (PA+ / PA-) or FOUNDATION fieldbus (FF+ / FF-) in acc. with IEC 61158-2.
51 / 52	<b>Digital output DO1 active / passive</b> Function can be configured locally as „Pulse Output" or „Digital Output".
81 / 82	<b>Digital input / contact input</b> Function can be configured locally as „External output switch-off", „external totalizer reset", „external totalizer stop" or „other".
41 / 42	<b>Digital output DO2 passive</b> Function can be configured locally as „Pulse Output" or „Digital Output". Factory setting is „Digital Output", flow direction signaling.
⊕	<b>Functional ground</b>

**Electrical data**

**Current / HART output**

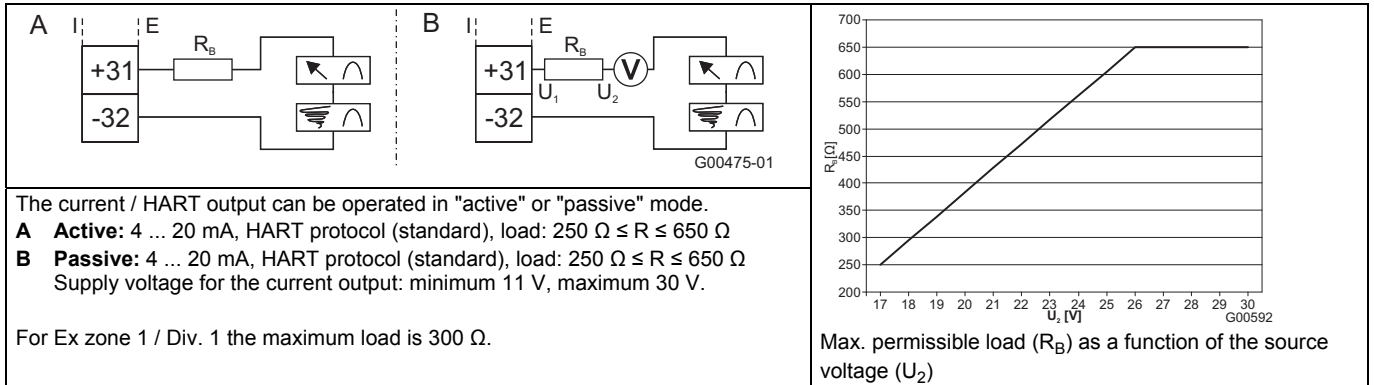


Fig. 13: (I = internal, E = external)

**Digital output DO1**

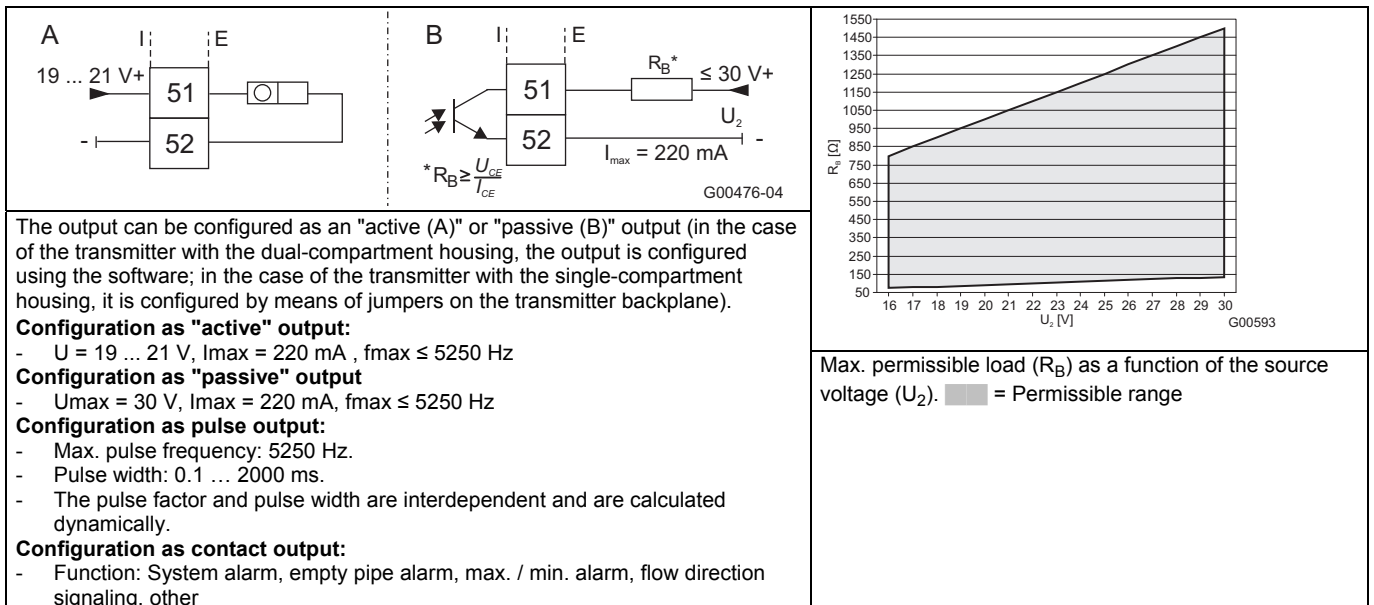


Fig. 14: (I = internal, E = external)

**Digital output DO2**

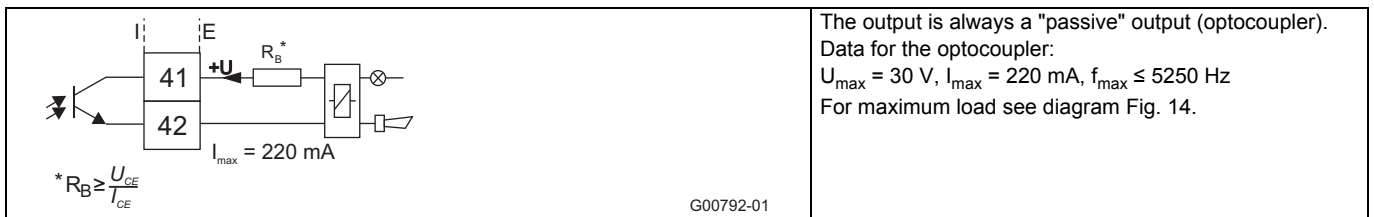


Fig. 15: (I = internal, E = external)

**Digital input DI**

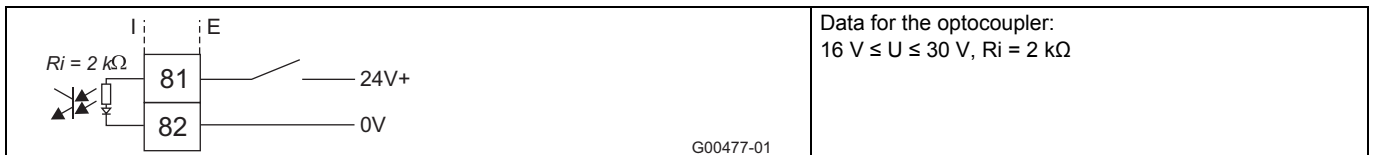
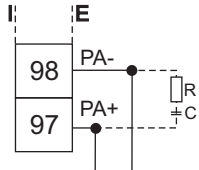
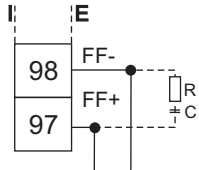


Fig. 16: (I = internal, E = external)

**Digital communication**



**PROFIBUS PA (PA+ / PA-)**  
 U = 9 ... 32 v, I = 10 mA (normal operation), I = 13 mA (in the event of an error / FDE)  
 Bus connection with integrated protection against polarity reversal.  
 The bus address can be set via the DIP switches in the device (with dual-compartment transmitter housing only), the transmitter display or the fieldbus.  
 The resistance R and condenser C form the bus termination. They must be installed when the device is connected to the end of the entire bus cable. R = 100 Ω; C = 1 μF



**FOUNDATION Fieldbus (FF+ / FF-)**  
 U = 9 ... 32 v, I = 10 mA (normal operation), I = 13 mA (in the event of an error / FDE)  
 Bus connection with integrated protection against polarity reversal

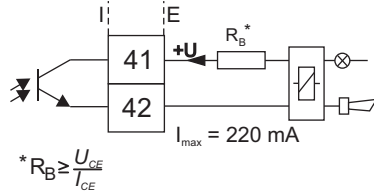
G00248-01

Fig. 17: (I = internal, E = external)

**Connection examples**

**Digital output DO2**

E.g., for system monitoring, max. / min. alarm, empty meter tube or forward / reverse signal, or counting pulses (function can be configured using software)

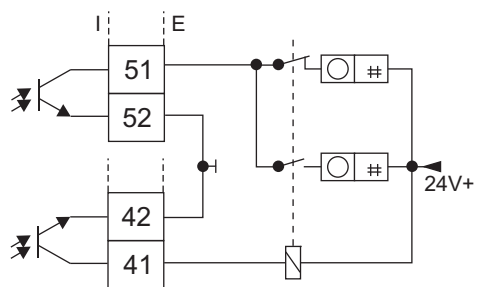


G00792-01

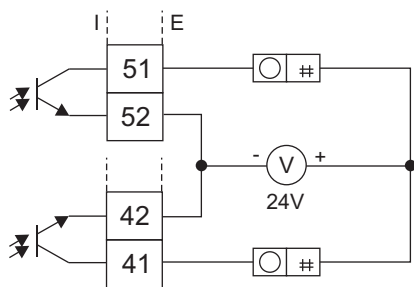
Fig. 18: (I = internal, E = external)

**Digital outputs DO1 and DO2**

Separate forward and reverse pulses



Separate forward and reverse pulses (alternative connection)

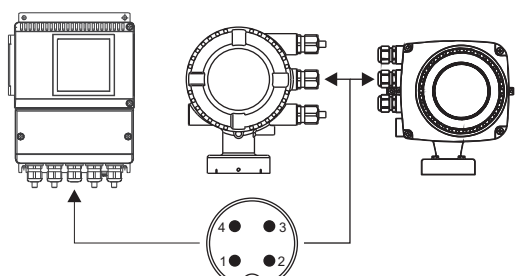


G00791

Fig. 19: (I = internal, E = external)

**PROFIBUS PA - Connection via M12 plug**

Only in non-hazardous areas



Pin assignment  
 (Front view showing pin insert and pins)  
 PIN 1 = PA+  
 PIN 2 = nc  
 PIN 3 = PA-  
 PIN 4 = shield

G01003-01

Fig. 20

**Digital communication**

**HART protocol**

The unit is registered with the HART Communication Foundation.

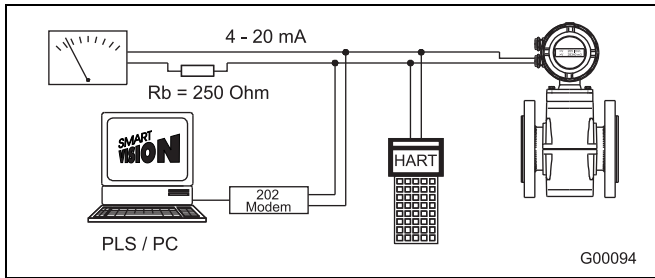


Fig. 21

Configuration	Directly on the device Software DAT200 Asset Vision Basic (+ HART-DTM)
Transmission	FSK modulation on current output 4 ... 20 mA acc. to Bell 202 standard
Max. signal amplitude	1.2 mA <sub>SS</sub>
Current output load	Min. 250 Ω, max. = 560 Ω
Cable	AWG 24 twisted
Max. cable length	1500 m
Baud rate	1,200 baud
Display	Log. 1: 1,200 Hz Log. 0: 2,200 Hz

For additional information, see separate interface documentation.

**System integration**

In conjunction with the DTM (Device Type Manager) available for the device, communication (configuration, parameterization) can occur with the corresponding framework applications according to FDT 1.21 (DAT200 Asset Vision Basic).

Other tool/system integrations (e.g., Emerson AMS/Siemens PCS7) are available upon request.

A free of charge version of the DAT200 Asset Vision Basic framework application for HART® or PROFIBUS is available upon request.

The required DTMs are contained on the DAT200 Asset Vision Basic DVD or in the DTM Library. They can also be downloaded from [www.abb.com/flow](http://www.abb.com/flow).

**PROFIBUS PA**

The interface conforms to profile 3.01 (PROFIBUS standard, EN 50170, DIN 19245 [PRO91]).

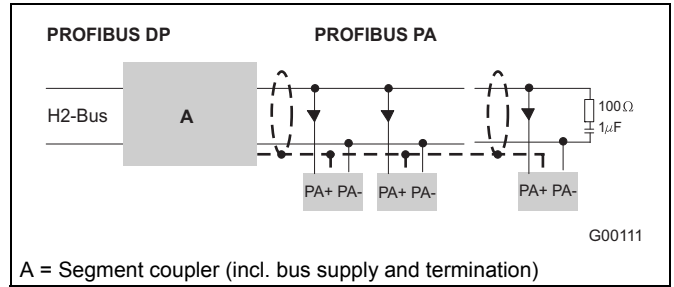


Fig. 22: Example for PROFIBUS PA interface connection

PROFIBUS PA ID no	0x3430
Alternative standard ID no	0x9700 or 0x9740
Configuration	Directly on the device Software DAT200 Asset Vision Basic (+ PROFIBUS PA-DTM)
Transmission signal	Acc. to IEC 61158-2
Cable	Shielded, twisted cable (acc. to IEC 61158-2, types A or B are preferred)

**Bus topology**

- Tree and/or line structure
- Bus termination: passive at both ends of the main bus line (RC element R = 100 Ω, C = 1 μF)

**Voltage / current consumption**

- Average current consumption: 10 mA
- In the event of an error, the integrated FDE function (=Fault Disconnection Electronic) integrated in the device ensures that the current consumption can rise to a maximum of 13 mA.
- The upper current limit is restricted electronically.
- The voltage on the bus line must lie in the range of 9 ... 32 V DC.

For additional information, see separate interface documentation.

**System integration**

ABB provides three different GSD files (equipment master data) which can be integrated in the system.

Users decide at system integration whether to install the full range of functions or only part.

The change-over is done using the "ID-number selector" parameter.

ID number 0x9700,	GSD file name: PA139700.gsd
ID number 0x9740,	GSD file name: PA139740.gsd
ID number 0x3430,	GSD file name: ABB_3430.gsd

The GSD files can be downloaded from [www.abb.com/flow](http://www.abb.com/flow). The files required for operation can be downloaded from [www.profibus.com](http://www.profibus.com).

**FOUNDATION Fieldbus (FF)**

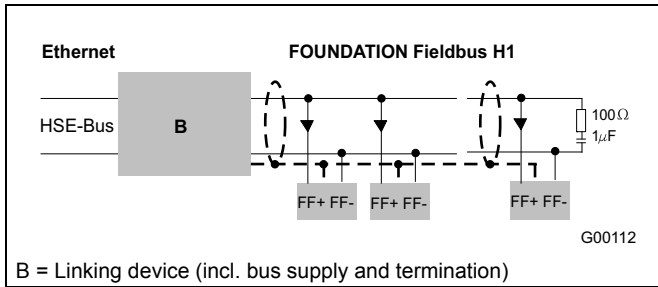


Fig. 23: Example for FOUNDATION Fieldbus interface connection

Interoperability test campaign no.	ITK 5.20
Manufacturer ID	0x000320
Device ID	0x0124
Configuration	<ul style="list-style-type: none"> <li>• Directly on the device</li> <li>• Via services integrated in the system</li> <li>• National configurator</li> </ul>
Transmission signal	Acc. to IEC 61158-2

**Bus topology**

- Tree and/or line structure
- Bus termination: passive at both ends of the main bus line (RC element R = 100 Ω, C = 1 μF)

**Voltage / current consumption**

- Average current consumption: 10 mA
- In the event of an error, the integrated FDE function (=Fault Disconnection Electronic) integrated in the device ensures that the current consumption can rise to a maximum of 13 mA.
- Upper current limit: electronically restricted.
- The voltage on the bus line must lie in the range of 9 ... 32 V DC.

**Bus address**

The bus address is automatically assigned or can be set in the system manually. The identifier (ID) is formed using a unique combination of manufacturer ID, device ID, and device serial number.

**System integration**

The following are required:

- DD (Device Description) file, which includes the device description.
- The CFF (Common File Format) file is required for engineering the segment. Engineering can be performed online or offline.

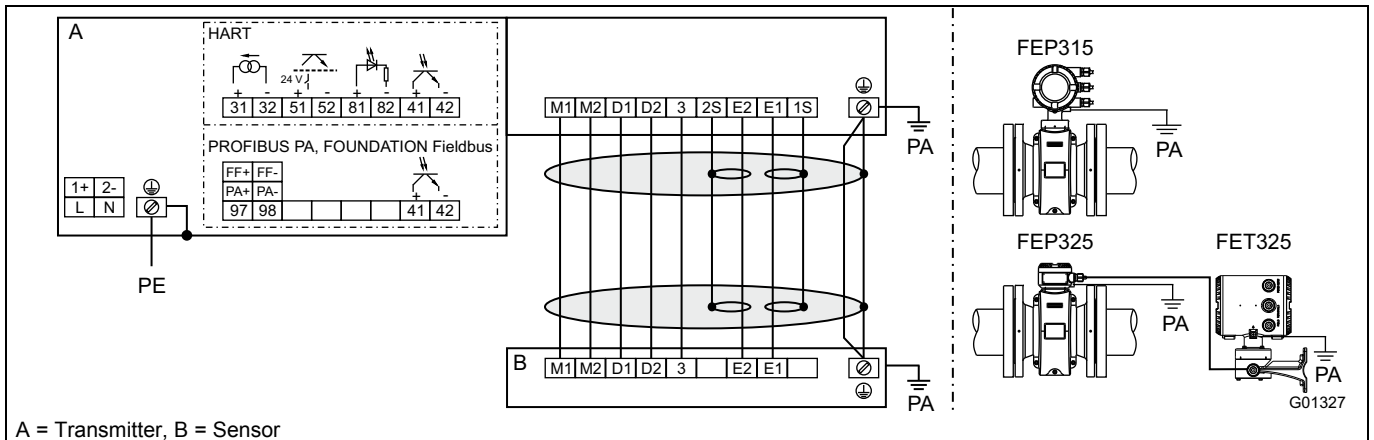
The files can be downloaded from [www.abb.com/flow](http://www.abb.com/flow).

The files required for operation can also be downloaded from <http://www.fieldbus.org>.

**Ex relevant specifications**

**Electrical connection for operation in zones 1, 21, 22 / Div 1**

**Flowmeter sensor and transmitter in zone 1 / Div 1**



A = Transmitter, B = Sensor

Fig. 24: HART, PROFIBUS PA and FOUNDATION Fieldbus protocol

**Power supply connections**

AC power supply	
Terminal	Function / Notes
L	Live / Phase
N	Neutral
PE / ⊕	Protective earth (PE)

DC power supply	
Terminal	Function / Notes
1+	+
2-	-
PE / ⊕	Protective earth (PE)

**Sensor cable terminal connections**

Only on remote mount design.

Terminal	Function / Notes	Wire color
M1	Magnet coil	Brown
M2	Magnet coil	Red
D1	Data line	Orange
D2	Data line	Yellow
⊕ / SE	Shield	-
E1	Signal line	Violet
1S	Shield for E1	-
E2	Signal line	Blue
2S	Shield for E2	-
3	Measurement potential	Green

**Output connections**

Terminal	Function / Notes
31 / 32	<b>Current / HART output</b> The current output is available in "active" or "passive" mode. The configuration must be specified ordering the meter, because it is not possible to change the configuration on site.
97 / 98	<b>Digital communication</b> PROFIBUS PA (PA+ / PA-) or FOUNDATION Fieldbus (FF+ / FF-) in acc. with IEC 61158-2.
51 / 52	<b>Digital output DO1 passive</b> Function can be configured locally as „Pulse Output" or „Digital Output". Factory setting is „Pulse Output".
81 / 82	<b>Digital input / contact input</b> Function can be configured locally as „External output switch-off", „external totalizer reset", „external totalizer stop" or „other". Only available in conjunction with current output „passive".
41 / 42	<b>Digital output DO2 passive</b> Function can be configured locally as „Pulse Output" or „Digital Output". Factory setting is „Digital Output", flow direction signaling.
PA	<b>Potential Equalization (PA)</b>

**Note**

The housing for the transmitter and flowmeter sensor must be connected to the potential equalization PA. The operator must ensure that when connecting the protective conductor (PE) no potential differences can occur between protective conductor and potential equalization (PA).

A temperature of 70 °C (158 °F) at the cable entry is assumed for the Ex calculations. Therefore, the cables used for the supply power and the signal inputs and outputs must have a minimum specification of 70 °C (158 °F).

For devices with remote mount design for use in FM / cFM Div. 1 or FM / cFM Div. 2 the signal cable between the flowmeter sensor and the transmitter must have a minimum length of 5 m (16.4 ft).

Flowmeter sensor in zone 1 / Div 1 and transmitter in zone 2 / Div 2 or outside the hazardous area

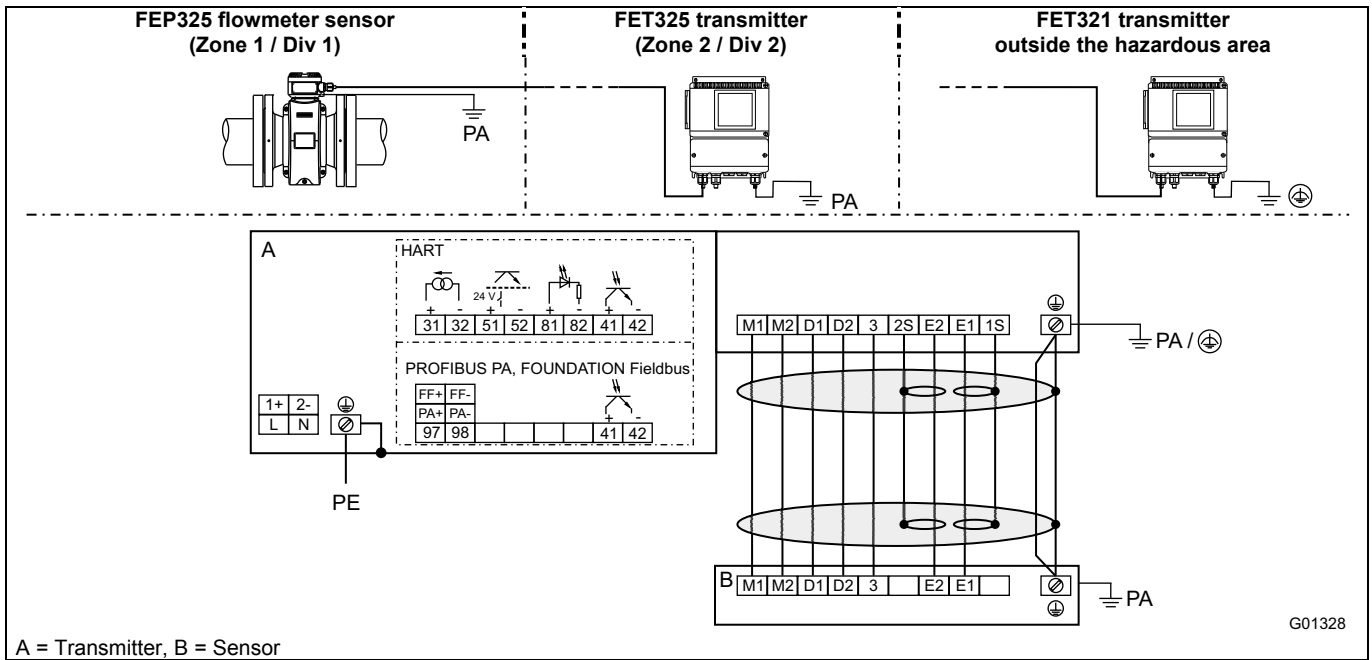


Fig. 25: HART, PROFIBUS PA and FOUNDATION Fieldbus protocol

Power supply connections

AC power supply	
Terminal	Function / Notes
L	Live / Phase
N	Neutral
PE / ⊕	Protective earth (PE)

DC power supply	
Terminal	Function / Notes
1+	+
2-	-
PE / ⊕	Protective earth (PE)

Sensor cable terminal connections

Only on remote mount design.

Terminal	Function / Notes	Wire color
M1	Magnet coil	Brown
M2	Magnet coil	Red
D1	Data line	Orange
D2	Data line	Yellow
⊕ / SE	Shield	-
E1	Signal line	Violet
1S	Shield for E1	-
E2	Signal line	Blue
2S	Shield for E2	-
3	Measurement potential	Green

Output connections

Terminal	Function / Notes
31 / 32	<b>Current / HART output</b> The current output is available in "active" or "passive" mode.
97 / 98	<b>Digital communication</b> PROFIBUS PA (PA+ / PA-) or FOUNDATION Fieldbus (FF+ / FF-) in acc. with IEC 61158-2.
51 / 52	<b>Digital output DO1 active / passive</b> Function can be configured locally as „Pulse Output" or „Digital Output". Factory setting is „Pulse Output".
81 / 82	<b>Digital input / contact input</b> Function can be configured locally as „External output switch-off", „external totalizer reset", „external totalizer stop" or „other".
41 / 42	<b>Digital output DO2 passive</b> Function can be configured locally as „Pulse Output" or „Digital Output". Factory setting is „Digital Output", flow direction signaling.
PA	<b>Potential Equalization (PA)</b>
⊕	<b>Functional ground</b> (only with transmitter outside the hazardous area)

Note

The housing for the transmitter and flowmeter sensor must be connected to the potential equalization PA. The operator must ensure that when connecting the protective conductor (PE) no potential differences can occur between protective conductor and potential equalization (PA).

A temperature of 70 °C (158 °F) at the cable entry is assumed for the Ex calculations. Therefore, the cables used for the supply power and the signal inputs and outputs must have a minimum specification of 70 °C (158 °F).

For devices with remote mount design for use in FM / cFM Div. 1 or FM / cFM Div. 2 the signal cable between the flowmeter sensor and the transmitter must have a minimum length of 5 m (16.4 ft).



## Electrical data for operation in zones 1, 21, 22 / Div. 1

### Devices with HART protocol

When operating in potentially explosive areas, observe the following electrical data for the signal inputs and outputs of the transmitter. For the correct current output design (active/passive), see the marking contained in the device's terminal box.

Dependent upon the device design, an "active" or a "passive" output will be available. For devices designed for use in Ex Zone 1, the current output cannot be reconfigured locally. The configuration required for the current output (active/passive) must be specified when the order is placed.

### Model FEP315 or FET325

Inputs and outputs	Operating values		Type of protection Ex i, IS					
	U <sub>N</sub> [V]	I <sub>N</sub> [mA]	U <sub>O</sub> [V]	I <sub>O</sub> [mA]	P <sub>O</sub> [mW]	C <sub>O</sub> [nF]	C <sub>OPA</sub> [nF]	L <sub>O</sub> [mH]
Active current / HART output (Terminals 31 / 32) Load: 250 Ω ≤ R ≤ 300 Ω	30	30	20	100	500	210	195	6
			U <sub>I</sub> [V]	I <sub>I</sub> [mA]	P <sub>I</sub> [mW]	C <sub>I</sub> [nF]	C <sub>I PA</sub> [nF]	L <sub>I</sub> [mH]
			60	425 <sup>4)</sup>	2000 <sup>4)</sup>	8,4	24	0,065
Passive current / HART output (Terminals 31 / 32) Load: 250 Ω ≤ R ≤ 650 Ω	30	30	U <sub>I</sub> [V]	I <sub>I</sub> [mA]	P <sub>I</sub> [mW]	C <sub>I</sub> [nF]	C <sub>I PA</sub> [nF]	L <sub>I</sub> [nH]
			60	500 <sup>4)</sup>	2000 <sup>4)</sup>	8,4	24	170
			U <sub>I</sub> [V]	I <sub>I</sub> [mA]	P <sub>I</sub> [mW]	C <sub>I</sub> [nF]	C <sub>I PA</sub> [nF]	L <sub>I</sub> [nH]
Passive digital output DO2 (Terminals 41 / 42)	30	220	60	425 <sup>1) 4)</sup> 500 <sup>2) 4)</sup>	2000 <sup>4)</sup>	3,6	3,6	170
			U <sub>I</sub> [V]	I <sub>I</sub> [mA]	P <sub>I</sub> [mW]	C <sub>I</sub> [nF]	C <sub>I PA</sub> [nF]	L <sub>I</sub> [nH]
			60	425 <sup>1) 4)</sup> 500 <sup>2) 4)</sup>	2000 <sup>4)</sup>	3,6	3,6	170
Passive digital output DO1 (Terminals 51 / 52)	30	220	60	425 <sup>1) 4)</sup> 500 <sup>2) 4)</sup>	2000 <sup>4)</sup>	3,6	3,6	170
Passive digital input DI (Terminals 81/82) <sup>3)</sup>	30	10	60	500 <sup>4)</sup>	2000 <sup>4)</sup>	3,6	3,6	170

1) For "active" current output

2) For "passive" current output

3) Only available in conjunction with passive current output

4) Intrinsically safe single-channel or multi-channel barriers (supply isolators) with resistance characteristic must be used.

All inputs and outputs are electrically isolated from each other and from the power supply.

### Note

The output circuits are designed in such a way that they can be connected to both intrinsically-safe and non-intrinsically-safe circuits. It is not permitted to combine intrinsically safe and non-intrinsically safe circuits. In the case of intrinsically safe circuits, potential equalization is required.

The rated voltage of the non-intrinsically safe circuits is U<sub>M</sub> = 60 V.

Provided that rated voltage U<sub>M</sub> = 60 V is not exceeded if connections are established to non-intrinsically safe external circuits, intrinsic safety is still guaranteed.

### Devices with PROFIBUS PA or FOUNDATION Fieldbus

When operating in potentially explosive areas, observe the following electrical data for the signal inputs and outputs of the transmitter. For the correct design (PROFIBUS PA or FOUNDATION Fieldbus), see the marking contained in the device's terminal box.

For devices in Zone 1 / Div. 1 the bus termination must conform to the FISCO model or the explosion protection regulations, respectively.

For devices in Zone 2 / Div. 2 the bus termination must conform to the FNICO model or the explosion protection regulations, respectively.

#### Model FEP315 or FET325

The fieldbus and the digital output can be connected in zone 1 / Div. 1 in three different variants.

#### Variant 1: Intrinsically safe fieldbus connection in acc. with FISCO, intrinsically safe connection of the digital output

Inputs and outputs	Operating values		Type of protection Ex i, IS and FISCO					
	U <sub>N</sub> [V]	I <sub>N</sub> [mA]	U <sub>i</sub> [V]	I <sub>i</sub> [mA]	P <sub>i</sub> [mW]	C <sub>i</sub> [nF]	C <sub>IPA</sub> [nF]	L <sub>i</sub> [μH]
Passive digital output DO2 (terminals 41 / 42)	30	220	60	200 <sup>1)</sup>	5000 <sup>1)</sup>	3,6	3,6	0,17
Fieldbus (terminals 97 / 98)	32	30	17	380	5320	1	1	5

1) Intrinsically safe single-channel or multi-channel barriers (supply isolators) with resistance characteristic must be used.

#### Variant 2: Intrinsically safe fieldbus connection (not in acc. with FISCO!), intrinsically safe connection of the digital output

Inputs and outputs	Operating values		Type of protection Ex i, IS					
	U <sub>N</sub> [V]	I <sub>N</sub> [mA]	U <sub>i</sub> [V]	I <sub>i</sub> [mA]	P <sub>i</sub> [mW]	C <sub>i</sub> [nF]	C <sub>IPA</sub> [nF]	L <sub>i</sub> [μH]
Passive digital output DO2 (terminals 41 / 42)	30	220	60	200 <sup>1)</sup>	5000 <sup>1)</sup>	3,6	3,6	0,17
Fieldbus (terminals 97 / 98)	32	30	60	500	5000	1	1	5

1) Intrinsically safe single-channel or multi-channel barriers (supply isolators) with resistance characteristic must be used.

#### Variant 3: Fieldbus connection in acc. with FNICO (Zone 2, Div. 2), connection of digital output (Zone 2, Div. 2)

Inputs and outputs	Operating values		Type of protection Ex n, NI and FNICO					
	U <sub>N</sub> [V]	I <sub>N</sub> [mA]	U <sub>i</sub> [V]	I <sub>i</sub> [mA]	P <sub>i</sub> [mW]	C <sub>i</sub> [nF]	C <sub>IPA</sub> [nF]	L <sub>i</sub> [μH]
Passive digital output DO2 (terminals 41 / 42)	30	220	-	-	-	-	-	-
Fieldbus (terminals 97 / 98)	32	30	60	500 <sup>1)</sup>	5000 <sup>1)</sup>	1	1	5

1) Single-channel or multi-channel barriers (supply isolators) with resistance characteristic must be used.

All inputs and outputs are electrically isolated from each other and from the supply power.

#### Note

The output circuits are designed in such a way that they can be connected to both intrinsically-safe and non-intrinsically-safe circuits. It is not permitted to combine intrinsically safe and non-intrinsically safe circuits. In the case of intrinsically safe circuits, potential equalization is required.

The rated voltage of the non-intrinsically safe circuits is U<sub>M</sub> = 60 V. Provided that rated voltage U<sub>M</sub> = 60 V is not exceeded if connections are established to non-intrinsically safe external circuits, intrinsic safety is still given.

## Temperature data

### Note

The maximum permissible measuring medium temperature depends on the liner and flange material, and is limited by the operating data in Table 1 and the Ex relevant specifications in Tables 2 ... n.

**Table 1: Measuring medium temperature as a function of lining and flange material for models FEP315 and FEP325**

Materials		Measuring medium temperature (operating values)	
Lining	Flange	Minimum	Maximum
Hard rubber	Steel	-10 °C (14 °F)	90 °C (194 °F)
		-5 °C (23 °F) <sup>1)</sup>	80 °C (176 °F) <sup>1)</sup>
Hard rubber	Stainless steel	-15 °C (5 °F)	90 °C (194 °F)
		-5 °C (23 °F) <sup>1)</sup>	80 °C (176 °F) <sup>1)</sup>
Soft rubber	Steel	-10 °C (14 °F)	60 °C (140 °F)
Soft rubber	Stainless steel	-15 °C (5 °F)	60 °C (140 °F)
PTFE	Steel	-10 °C (14 °F)	130 °C (266 °F)
PTFE	Stainless steel	-25 °C (-13 °F)	130 °C (266 °F)
PFA	Steel	-10 °C (14 °F)	180 °C (356 °F)
PFA	Stainless steel	-25 °C (-13 °F)	180 °C (356 °F)
Thick PTFE	Steel	-10 °C (14 °F)	180 °C (356 °F)
Thick PTFE	Stainless steel	-25 °C (-13 °F)	180 °C (356 °F)
ETFE	Steel	-10 °C (14 °F)	130 °C (266 °F)
ETFE	Stainless steel	-25 °C (-13 °F)	130 °C (266 °F)

1) Only China production site

Table 2: Measuring medium temperature for model FEP315

Nominal diameter	Design	Temperature class	Ambient temperature											
			(- 40 °C) <sup>1)</sup> - 20 °C ... + 40 °C				(- 40 °C) <sup>1)</sup> - 20 °C ... + 50 °C				(- 40 °C) <sup>1)</sup> - 20 °C ... + 60 °C			
			Not thermally insulated		Thermally insulated		Not thermally insulated		Thermally insulated		Not thermally insulated		Thermally insulated	
			Gas	Gas & dust	Gas	Gas & dust	Gas	Gas & dust	Gas	Gas & dust	Gas	Gas & dust	Gas	Gas & dust
DN 3 ... DN 100	NT	T1	130 °C						90 °C	30 °C	80 °C	40 °C		
	HT		180 °C						120 °C	20 °C	120 °C	20 °C		
	NT	T2	130 °C						90 °C	30 °C	80 °C	40 °C		
	HT		180 °C						120 °C	20 °C	120 °C	20 °C		
	NT	T3	130 °C						90 °C	30 °C	80 °C	40 °C		
	HT		180 °C						120 °C	20 °C	120 °C	20 °C		
	NT	T4	120 °C						90 °C	30 °C	80 °C	40 °C		
	HT		120 °C						120 °C	20 °C	120 °C	20 °C		
	NT	T5	85 °C						70 °C	30 °C	80 °C	40 °C		
	HT		85 °C						85 °C	20 °C	85 °C	20 °C		
	NT	T6	70 °C						70 °C	30 °C	70 °C	40 °C		
	HT		70 °C						70 °C	20 °C	70 °C	20 °C		
DN 125 ... DN 2000	NT	T1	130 °C						90 °C	30 °C	80 °C	40 °C		
	HT		180 °C						120 °C	20 °C	120 °C	20 °C		
	NT	T2	130 °C						90 °C	30 °C	80 °C	40 °C		
	HT		180 °C						120 °C	20 °C	120 °C	20 °C		
	NT	T3	130 °C						90 °C	30 °C	80 °C	40 °C		
	HT		180 °C						120 °C	20 °C	120 °C	20 °C		
	NT	T4	125 °C						90 °C	30 °C	80 °C	40 °C		
	HT		125 °C						120 °C	20 °C	120 °C	20 °C		
	NT	T5	90 °C						90 °C	30 °C	80 °C	40 °C		
	HT		90 °C						90 °C	20 °C	90 °C	20 °C		
	NT	T6	75 °C						75 °C	30 °C	75 °C	40 °C		
	HT		75 °C						75 °C	20 °C	75 °C	20 °C		

1) Low-temperature version (option)

NT: standard sensor design,  $T_{\text{medium}}$  maximum 130 °C (266 °F),

HT: high-temperature sensor design,  $T_{\text{medium}}$  maximum 180 °C (356 °F)

Not thermally insulated: The flowmeter sensor is not surrounded by pipe insulation material.

Thermally insulated: The flowmeter sensor is surrounded by pipe insulation material.

#### Note

The standard version includes explosion protection for gases and dust. Explosion protection for dust is only available for devices featuring a transmitter in a dual-compartment housing.

- If the installation location for the device is classified as a potentially explosive area for gases and dust, the temperature data in the "Gas & dust" columns in the table must be taken into consideration.
- If the installation location for the device is classified as a potentially explosive area for gases only, the temperature data in the "Gas" column in the table must be taken into consideration.

Table 3: Measuring medium temperature for model FEP325

Nominal diameter	Design	Temperature class	Ambient temperature											
			(- 40 °C) <sup>1)</sup> - 20 °C ... + 40 °C				(- 40 °C) <sup>1)</sup> - 20 °C ... + 50 °C				(- 40 °C) <sup>1)</sup> - 20 °C ... + 60 °C			
			Not thermally insulated		Thermally insulated		Not thermally insulated		Thermally insulated		Not thermally insulated		Thermally insulated	
			Gas	Gas & dust	Gas	Gas & dust	Gas	Gas & dust	Gas	Gas & dust	Gas	Gas & dust	Gas	Gas & dust
DN 3 ... DN 100	NT	T1	130 °C								110 °C	110 °C	110 °C	110 °C
	HT		180 °C								160 °C	150 °C	160 °C	150 °C
	NT	T2	130 °C								110 °C	110 °C	110 °C	110 °C
	HT		180 °C								160 °C	150 °C	160 °C	150 °C
	NT	T3	130 °C								110 °C	110 °C	110 °C	110 °C
	HT		180 °C								160 °C	150 °C	160 °C	150 °C
	NT	T4	120 °C								110 °C	110 °C	110 °C	110 °C
	HT		120 °C								120 °C	120 °C	120 °C	120 °C
	NT	T5	85 °C								85 °C	85 °C	85 °C	85 °C
	HT		85 °C								85 °C	85 °C	85 °C	85 °C
	NT	T6	70 °C								70 °C	70 °C	70 °C	70 °C
	HT		70 °C								70 °C	70 °C	70 °C	70 °C
DN 125 ... DN 2000	NT	T1	130 °C								110 °C	110 °C	110 °C	110 °C
	HT		180 °C								160 °C	150 °C	160 °C	150 °C
	NT	T2	130 °C								110 °C	110 °C	110 °C	110 °C
	HT		180 °C								160 °C	150 °C	160 °C	150 °C
	NT	T3	130 °C								110 °C	110 °C	110 °C	110 °C
	HT		180 °C								160 °C	150 °C	160 °C	150 °C
	NT	T4	125 °C								110 °C	110 °C	110 °C	110 °C
	HT		125 °C								125 °C	125 °C	125 °C	125 °C
	NT	T5	90 °C								90 °C	90 °C	90 °C	90 °C
	HT		90 °C								90 °C	90 °C	90 °C	90 °C
	NT	T6	75 °C								75 °C	75 °C	75 °C	75 °C
	HT		75 °C								75 °C	75 °C	75 °C	75 °C

1) Low-temperature version (option)

NT: standard sensor design,  $T_{\text{medium}}$  maximum 130 °C (266 °F).

HT: high-temperature sensor design,  $T_{\text{medium}}$  maximum 180 °C (356 °F).

Not thermally insulated: The flowmeter sensor is not surrounded by pipe insulation material.

Thermally insulated: The flowmeter sensor is surrounded by pipe insulation material.

#### Note

The standard version includes explosion protection for gases and dust.

- If the installation location for the device is classified as a potentially explosive area for gases and dust, the temperature data in the "Gas & dust" columns in the table must be taken into consideration.
- If the installation location for the device is classified as a potentially explosive area for gases only, the temperature data in the "Gas" columns in the table must be taken into consideration.

Electrical connection for operation in zone 2, 21, 22 / Div. 2

Sensor and transmitter in Zone 2 / Division 2, or transmitter outside the potentially explosive atmosphere

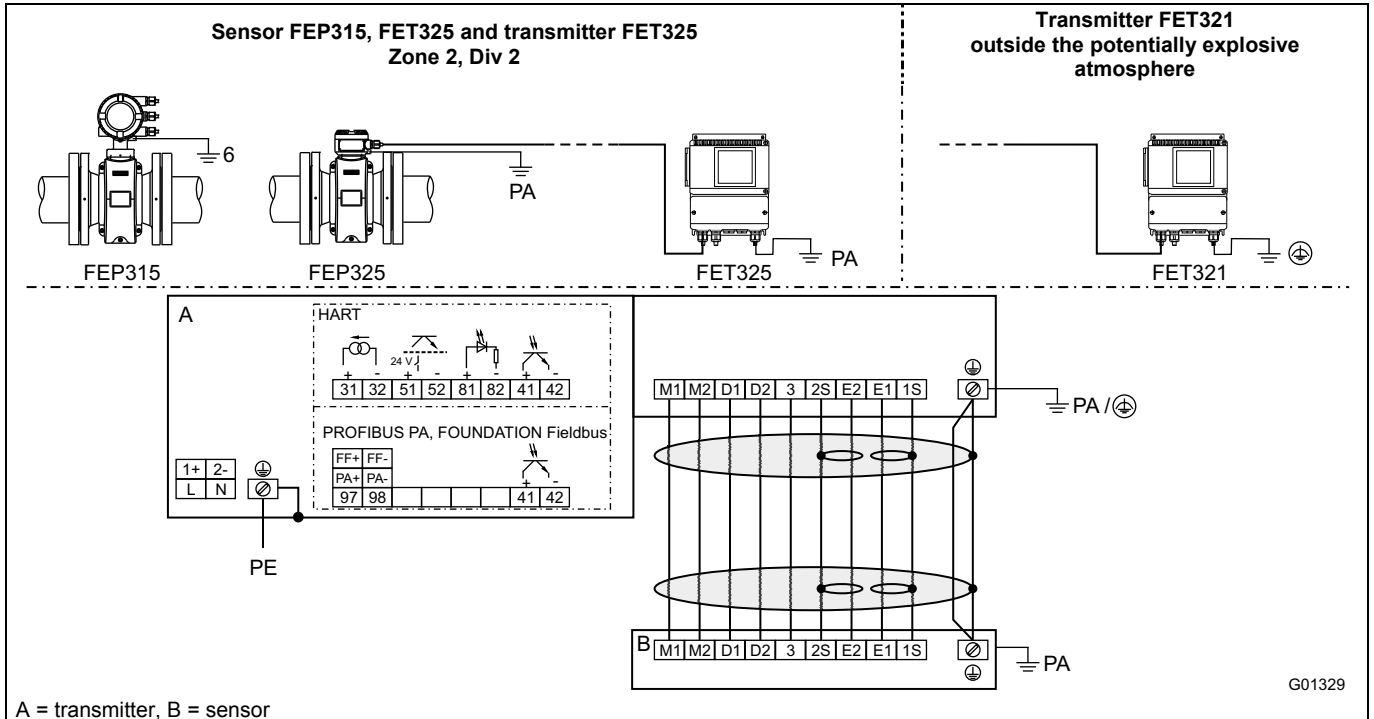


Fig. 26: HART, PROFIBUS PA and FOUNDATION Fieldbus protocols

Power supply connections

AC power supply	
Terminal	Function / Notes
L	Live / Phase
N	Neutral
PE / ⊕	Protective earth (PE)

DC power supply	
Terminal	Function / Notes
1+	+
2-	-
PE / ⊕	Protective earth (PE)

Sensor cable terminal connections

Only on remote mount design.

Terminal	Function / Notes	Wire color
M1	Magnet coil	Brown
M2	Magnet coil	Red
D1	Data line	Orange
D2	Data line	Yellow
⊕ / SE	Shield	-
E1	Signal line	Violet
1S	Schield for E1	-
E2	Signal line	Blue
2S	Schield for E2	-
3	Measurement potential	Green

Output connections

Terminal	Function / Notes
31 / 32	<b>Current / HART output</b> The current output is available in "active" or "passive" mode.
97 / 98	<b>Digital communication</b> PROFIBUS PA (PA+ / PA-) or FOUNDATION Fieldbus (FF+ / FF-) in acc. with IEC 61158-2.
51 / 52	<b>Digital output DO1 active / passive</b> Function can be configured locally as „Pulse Output" or „Digital Output". Factory setting is „Pulse Output".
81 / 82	<b>Digital input / contact input</b> Function can be configured locally as „External output switch-off", „external totalizer reset", „external totalizer stop" or „other".
41 / 42	<b>Digital output DO2 passive</b> Function can be configured locally as „Pulse Output" or „Digital Output". Factory setting is „Digital Output", flow direction signaling.
PA	<b>Potential Equalization (PA)</b>
⊕	<b>Functional ground</b> (only for transmitter outside the hazardous area)

Note

The housing for the transmitter and flowmeter sensor must be connected to the potential equalization PA. The operator must ensure that when connecting the protective conductor (PE) no potential differences can occur between protective conductor and potential equalization (PA).

A temperature of 70 °C (158 °F) at the cable entry is assumed for the Ex calculations. Therefore, the cables used for the supply power and the signal inputs and outputs must have a minimum specification of 70 °C (158 °F).

## Electrical data for operation in zones 2, 21, 22 / Div. 2

### Devices with HART protocol

When operating in potentially explosive areas, observe the following electrical data for the signal inputs and outputs of the transmitter. For the correct current output design (active/passive), see the marking contained in the device's terminal box.

#### Model FEP315 or FET325

Signal inputs and outputs	Operating values		Type of protection Ex n/NI	
	U <sub>i</sub> [V]	I <sub>i</sub> [mA]	U <sub>i</sub> [V]	I <sub>i</sub> [mA]
Current / HART Output, active/passive (terminals 31/32) Load: 250 Ω ≤ R ≤ 650 Ω	30	30	30	30
Digital output DO1, active/passive (terminals 51/52)	30	220	30	220
Digital output DO2, passive (terminals 41/42)	30	220	30	220
Digital input DI (terminals 81/82)	30	10	30	10

All inputs and outputs are electrically isolated from each other and from the supply power.

### Devices with PROFIBUS PA or FOUNDATION Fieldbus

When operating in potentially explosive areas, observe the following electrical data for the signal inputs and outputs of the transmitter. For the correct design (PROFIBUS PA or FOUNDATION Fieldbus), see the marking contained in the device's terminal box.

For devices in Zone 2 / Div. 2 the bus termination must conform to the FNICO model or the explosion protection regulations, respectively.

#### Model FEP315 or FET325

Inputs and outputs	Operating values		Type of protection Ex n, NI and FNICO					
	U <sub>N</sub> [V]	I <sub>N</sub> [mA]	U <sub>i</sub> [V]	I <sub>i</sub> [mA]	P <sub>i</sub> [mW]	C <sub>i</sub> [nF]	C <sub>iPA</sub> [nF]	L <sub>i</sub> [μH]
Digital output DO2, passive (terminals 41/42)	30	220	-	-	-	-	-	-
Fieldbus (terminals 97/98)	32	30	32	500 <sup>1)</sup>	7000 <sup>1)</sup>	1	1	5

1) Single-channel or multi-channel barriers (supply isolators) with resistance characteristic must be used.



## Temperature data

**Table 1: Measuring medium temperature as a function of lining and flange material for models FEP315 and FEP325**

Materials		Measuring medium temperature (operating values)	
Lining	Flange	Minimum	Maximum
Hard rubber	Steel	-10 °C (14 °F)	90 °C (194 °F)
		-5 °C (23 °F) <sup>1)</sup>	80 °C (176 °F) <sup>1)</sup>
Hard rubber	Stainless steel	-15 °C (5 °F)	90 °C (194 °F)
		-5 °C (23 °F) <sup>1)</sup>	80 °C (176 °F) <sup>1)</sup>
Soft rubber	Steel	-10 °C (14 °F)	60 °C (140 °F)
Soft rubber	Stainless steel	-15 °C (5 °F)	60 °C (140 °F)
PTFE	Steel	-10 °C (14 °F)	130 °C (266 °F)
PTFE	Stainless steel	-25 °C (-13 °F)	130 °C (266 °F)
PFA	Steel	-10 °C (14 °F)	180 °C (356 °F)
PFA	Stainless steel	-25 °C (-13 °F)	180 °C (356 °F)
Thick PTFE	Steel	-10 °C (14 °F)	180 °C (356 °F)
Thick PTFE	Stainless steel	-25 °C (-13 °F)	180 °C (356 °F)
Elastomer <sup>2)</sup>	Steel	-10 °C (14 °F)	130 °C (266 °F)
Elastomer <sup>2)</sup>	Stainless steel	-20 °C (-4 °F)	130 °C (266 °F)
ETFE	Steel	-10 °C (14 °F)	130 °C (266 °F)
ETFE	Stainless steel	-25 °C (-13 °F)	130 °C (266 °F)

1) Only China production site

2) USA production site, only (only for FM / cFM Div 2)

Table 2: Measuring medium temperature for model FEP315

Nominal diameter		Design	Temperature class	Ambient temperature											
				- 20 °C ... + 40 °C				- 20 °C ... + 50 °C				- 20 °C ... + 60 °C			
				- 40 °C ... + 40 °C <sup>1)</sup>				- 40 °C ... + 50 °C <sup>1)</sup>				- 40 °C ... + 60 °C <sup>1)</sup>			
				Not thermally insulated		Thermally insulated		Not thermally insulated		Thermally insulated		Not thermally insulated		Thermally insulated	
Gas	Gas & dust	Gas	Gas & dust	Gas	Gas & dust	Gas	Gas & dust	Gas	Gas & dust	Gas	Gas & dust	Gas	Gas & dust		
ProcessMaster DN 3 ... DN 2000 HygienicMaster DN 3 ... DN 100	NT	T1	130 °C	130 °C	---	---	130 °C	100 °C <sup>2)</sup> 110 °C <sup>3)</sup>	---	---	80 °C	40 °C	---	---	
			180 °C	180 °C	180 °C	180 °C	180 °C	180 °C	180 °C	180 °C	180 °C	180 °C	40 °C	180 °C	40 °C
	HT	T2	130 °C	130 °C	---	---	130 °C	100 °C <sup>2)</sup> 110 °C <sup>3)</sup>	---	---	80 °C	40 °C	---	---	
			180 °C	180 °C	180 °C	180 °C	180 °C	180 °C	180 °C	180 °C	180 °C	180 °C	40 °C	180 °C	40 °C
	NT	T3	130 °C	130 °C	---	---	130 °C	100 °C <sup>2)</sup> 110 °C <sup>3)</sup>	---	---	80 °C	40 °C	---	---	
			180 °C	180 °C	180 °C	180 °C	180 °C	180 °C	180 °C	180 °C	180 °C	180 °C	40 °C	180 °C	40 °C
	HT	T4	130 °C	130 °C	---	---	130 °C	100 °C <sup>2)</sup> 110 °C <sup>3)</sup>	---	---	80 °C	40 °C	---	---	
			130 °C	130 °C	130 °C	130 °C	130 °C	130 °C	130 °C	130 °C	130 °C	130 °C	40 °C	130 °C	40 °C

1) Low-temperature version (option)

2) Temperature values for ProcessMaster

3) Temperature values for HygienicMaster

NT: standard sensor design,  $T_{\text{medium}}$  maximum 130 °C (266 °F)

HT: high-temperature sensor design,  $T_{\text{medium}}$  maximum 180 °C (356 °F)

Not thermally insulated: The flowmeter sensor is not surrounded by pipe insulation material.

Thermally insulated: The flowmeter sensor is surrounded by pipe insulation material.

#### Note

The standard version includes explosion protection for gases and dust. Explosion protection for dust is only available for devices featuring a transmitter in a dual-compartment housing.

- If the installation location for the device is classified as a potentially explosive area for gases and dust, the temperature data in the "Gas & dust" columns in the table must be taken into consideration.
- If the installation location for the device is classified as a potentially explosive area for gases only, the temperature data in the "Gas" column in the table must be taken into consideration.

Table 3: Measuring medium temperature for model FEP325

Nominal diameter	Design	Temperature class	Ambient temperature													
			- 20 °C ... + 40 °C				- 20 °C ... + 50 °C				- 20 °C ... + 60 °C					
			- 40 °C ... + 40 °C <sup>1)</sup>				- 40 °C ... + 50 °C <sup>1)</sup>				- 40 °C ... + 60 °C <sup>1)</sup>					
			Not thermally insulated		Thermally insulated		Not thermally insulated		Thermally insulated		Not thermally insulated		Thermally insulated			
			Gas	Gas & dust	Gas	Gas & dust	Gas	Gas & dust	Gas	Gas & dust	Gas	Gas & dust	Gas	Gas & dust		
ProcessMaster DN 3 ... DN 2000 HygienicMaster DN 3 ... DN 100	NT	T1	130 °C	130 °C	---	---	130 °C	130 °C	---	---	110 °C <sup>2)</sup>	120 °C <sup>3)</sup>	110 °C	---	---	
			180 °C	180 °C	180 °C	180 °C	180 °C	180 °C	180 °C	180 °C	180 °C	180 °C	180 °C	180 °C	180 °C	180 °C
	HT	T1	180 °C	180 °C	180 °C	180 °C	180 °C	180 °C	180 °C	180 °C	180 °C	180 °C	180 °C	180 °C	180 °C	180 °C
			180 °C	180 °C	180 °C	180 °C	180 °C	180 °C	180 °C	180 °C	180 °C	180 °C	180 °C	180 °C	180 °C	180 °C
	NT	T2	130 °C	130 °C	---	---	130 °C	130 °C	---	---	110 °C <sup>2)</sup>	120 °C <sup>3)</sup>	110 °C	---	---	
			180 °C	180 °C	180 °C	180 °C	180 °C	180 °C	180 °C	180 °C	180 °C	180 °C	180 °C	180 °C	180 °C	180 °C
	HT	T2	180 °C	180 °C	180 °C	180 °C	180 °C	180 °C	180 °C	180 °C	180 °C	180 °C	180 °C	180 °C	180 °C	180 °C
			180 °C	180 °C	180 °C	180 °C	180 °C	180 °C	180 °C	180 °C	180 °C	180 °C	180 °C	180 °C	180 °C	180 °C
	NT	T3	130 °C	130 °C	---	---	130 °C	130 °C	---	---	110 °C <sup>2)</sup>	120 °C <sup>3)</sup>	110 °C	---	---	
			180 °C	180 °C	180 °C	180 °C	180 °C	180 °C	180 °C	180 °C	180 °C	180 °C	180 °C	180 °C	180 °C	180 °C
	HT	T3	180 °C	180 °C	180 °C	180 °C	180 °C	180 °C	180 °C	180 °C	180 °C	180 °C	180 °C	180 °C	180 °C	180 °C
			180 °C	180 °C	180 °C	180 °C	180 °C	180 °C	180 °C	180 °C	180 °C	180 °C	180 °C	180 °C	180 °C	180 °C
	NT	T4	130 °C	130 °C	---	---	130 °C	130 °C	---	---	110 °C <sup>2)</sup>	120 °C <sup>3)</sup>	110 °C	---	---	
			130 °C	130 °C	130 °C	130 °C	130 °C	130 °C	130 °C	130 °C	130 °C	130 °C	130 °C	130 °C	130 °C	130 °C
	HT	T4	130 °C	130 °C	130 °C	130 °C	130 °C	130 °C	130 °C	130 °C	130 °C	130 °C	130 °C	130 °C	130 °C	130 °C
			130 °C	130 °C	130 °C	130 °C	130 °C	130 °C	130 °C	130 °C	130 °C	130 °C	130 °C	130 °C	130 °C	130 °C
	NT	T5	95 °C	95 °C	---	---	95 °C	95 °C	---	---	95 °C	95 °C	95 °C	95 °C	95 °C	95 °C
			95 °C	95 °C	95 °C	95 °C	95 °C	95 °C	95 °C	95 °C	95 °C	95 °C	95 °C	95 °C	95 °C	95 °C
HT	T5	95 °C	95 °C	95 °C	95 °C	95 °C	95 °C	95 °C	95 °C	95 °C	95 °C	95 °C	95 °C	95 °C	95 °C	
		95 °C	95 °C	95 °C	95 °C	95 °C	95 °C	95 °C	95 °C	95 °C	95 °C	95 °C	95 °C	95 °C	95 °C	
NT	T6	80 °C	80 °C	---	---	80 °C	80 °C	---	---	80 °C	80 °C	80 °C	80 °C	80 °C	80 °C	
		80 °C	80 °C	80 °C	80 °C	80 °C	80 °C	80 °C	80 °C	80 °C	80 °C	80 °C	80 °C	80 °C	80 °C	
HT	T6	80 °C	80 °C	80 °C	80 °C	80 °C	80 °C	80 °C	80 °C	80 °C	80 °C	80 °C	80 °C	80 °C	80 °C	
		80 °C	80 °C	80 °C	80 °C	80 °C	80 °C	80 °C	80 °C	80 °C	80 °C	80 °C	80 °C	80 °C	80 °C	

- 1) Low-temperature version (option)  
 2) Temperature values for ProcessMaster  
 3) Temperature values for HygienicMaster

NT: standard sensor design,  $T_{\text{medium}}$  maximum 130 °C (266 °F)

HT: high-temperature sensor design,  $T_{\text{medium}}$  maximum 180 °C (356 °F)

Not thermally insulated: The flowmeter sensor is not surrounded by pipe insulation material.

Thermally insulated: The flowmeter sensor is surrounded by pipe insulation material.

#### Note

The standard version includes explosion protection for gases and dust.

- If the installation location for the device is classified as a potentially explosive area for gases and dust, the temperature data in the "Gas & dust" columns in the table must be taken into consideration.
- If the installation location for the device is classified as a potentially explosive area for gases only, the temperature data in the "Gas" columns in the table must be taken into consideration.

## Specifications for operation in areas with combustible dust

The device with dual-compartment transmitter housing is approved for use in potentially explosive areas (gas and dust).

The Ex certification is provided on the name plate.



### **DANGER - Risk of explosion!**

The dust explosion protection is also provided by the housing.

Modifications to the housing are not allowed (e.g., removing or omitting parts).

### Maximum allowable surface temperature

Model	Maximum surface temperature
FEP325	T 85 °C (185 °F) ... T <sub>medium</sub>
FEP315	T 70 °C (158 °F) ... T <sub>medium</sub>
FET325	T 70 °C (158 °F)

The maximum surface temperature is applicable to dust layers of up to 5 mm (0.20 inch) in thickness. The minimum permissible ignition and smoldering temperatures of the dust atmosphere should be calculated in accordance with IEC61241ff.

With thicker dust layers, the maximum permissible surface temperature must be reduced. The dust can be conductive or non-conductive. IEC61241ff must be observed.

### Minimum signal cable length

In explosion protection areas, the signal cable cannot be shorter than 5 m (16.4 ft).

## Installation requirements

### Grounding

The flowmeter sensor must be connected to ground potential. For technical reasons, this potential should be identical to the potential of the metering fluid.

For plastic or insulated lined pipelines, the fluid is grounded by installing ground plates. When there are stray potentials present in the pipeline, a ground plate is recommended on both ends of the meter sensor.

### Mounting

The following points must be observed during installation:

- The meter tube must always be completely full
- The flow direction must correspond to the marking, if present
- The maximum torque for all flange screws must be complied with These must be selected depending on the temperature, pressure, screw material, gasket material etc., and in accordance with the currently applicable regulations
- The devices must be installed without mechanical tension (torsion, bending)
- Flange devices with plane parallel counterflanges may only be installed with suitable gaskets
- Only flat gaskets made from a material that is compatible with the measuring medium and measuring medium temperature may be used
- Gaskets must not extend into the flow area, since possible turbulence could influence the accuracy of the device
- The piping may not exert any inadmissible forces or torques on the device
- Do not remove the sealing plugs in the cable glands until you are ready to install the electrical cable
- When using a separate transmitter, this must be installed at a location that is largely free of vibrations
- Do not expose the transmitter to direct sunlight and provide for appropriate sun protection where necessary

### Flow direction

The device measures the flowrate in both directions. Forward flow is the factory setting, as shown in Fig. 27.

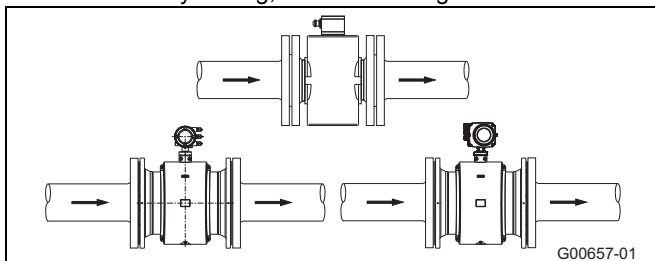


Fig. 27

### Electrode axis

Electrode axis (1) should be horizontal if at all possible or no more than 45° from horizontal.

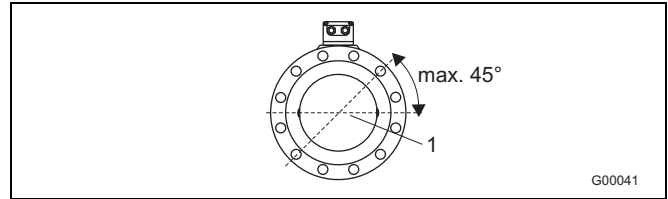


Fig. 28

### Inlet and outlet pipe sections

The metering principle is independent of the flow profile as long as standing eddies do not extend into the metering section, such as may occur after double elbows (1), in the event of tangential inflow, or where half-open gate valves are located upstream of the flowmeter sensor.

In such cases, measures must be put in place to normalize the flow profile.

- Do not install fittings, manifolds, valves, etc., directly in front of the flowmeter sensor (1).
- Butterfly valves must be installed so that the valve plate does not extend into the flowmeter sensor.
- Valves or other turn-off components should be installed in the outlet pipe section (2).

Experience has shown that, in most installations, straight inlet sections 3 x DN long and straight outlet sections 2 x DN long are sufficient (DN = nominal diameter of the sensor Fig. 29 ).

For test stands, the reference conditions of 10 x DN straight inlet and 5 x DN straight outlet must be provided, in accordance with EN 29104 / ISO 9104.

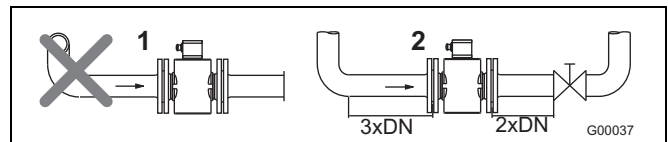


Fig. 29

### Vertical connections

Vertical installation for measuring abrasive fluids, preferably with flow in upward direction.

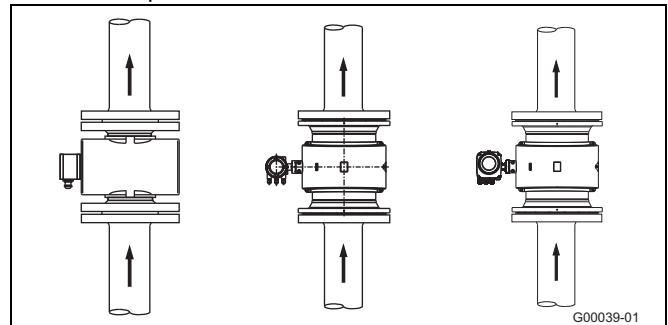


Fig. 30

**Horizontal connections**

- Meter tube must always be completely full.
- Provide for a slight incline of the connection for degassing.

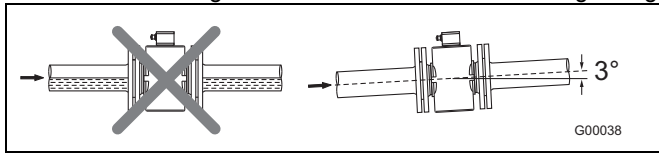


Fig. 31

**Free inlet or outlet**

- Do not install the flowmeter at the highest point or in the draining-off side of the pipeline, flowmeter runs empty, air bubbles can form (1).
- Provide for a siphon fluid intake for free inlets or outlets so that the pipeline is always full (2).

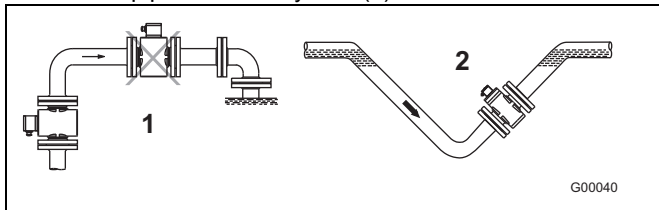


Fig. 32

**Strongly contaminated measuring media**

For strongly contaminated measuring media, a bypass connection according to the figure is recommended so that operation of the system can continue to run without interruption during the mechanical cleaning.

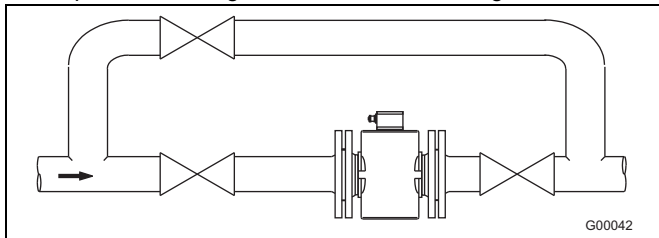


Fig. 33

**Installation near pumps**

If sensors are installed near pumps or other installations that cause vibration, the use of mechanical snubbers is recommended.

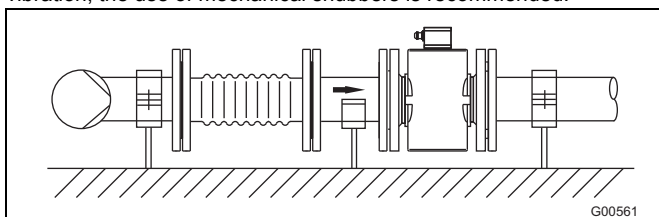


Fig. 34

**Installation of the high temperature design**

The high temperature design allows for complete thermal insulation of the sensor. The pipeline and sensor must be insulated after installing the unit according to the following illustration.

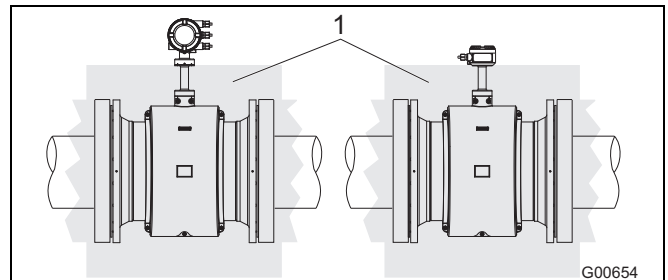


Fig. 35

- 1 Insulation

**Installation in pipelines with larger nominal diameters**

Determine the resulting pressure loss when using reduction pieces (1):

1. Calculate the diameter ratio  $d/D$ .
2. Determine the flow velocity based on the flow range nomograph (Fig. 37).
3. Read the pressure drop on the Y-axis in Fig. 37.

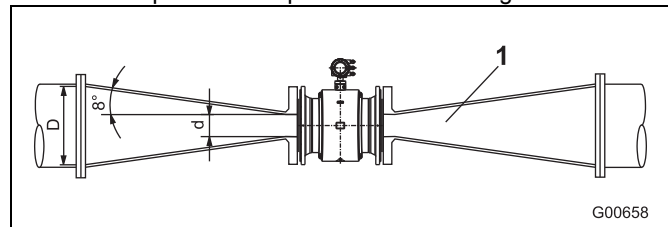


Fig. 36

- 1 Flange transition piece
- d Inside diameter of the flowmeter
- V flow velocity [m/s]
- $\Delta p$  pressure loss [mbar]
- D Inside diameter of the pipeline

**Nomograph for pressure drop calculations**

For flange transition piece with  $\alpha/2 = 8^\circ$

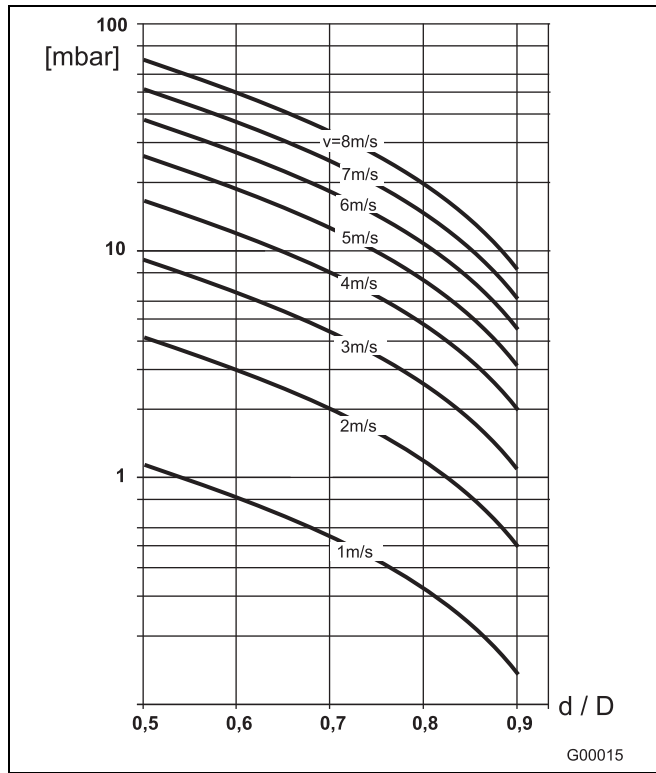


Fig. 37

## Dimensions for sensor design level „B“

## Flange DN 3 ... 125 (1/10 ... 5"), aluminum sensor housing (shell housing)

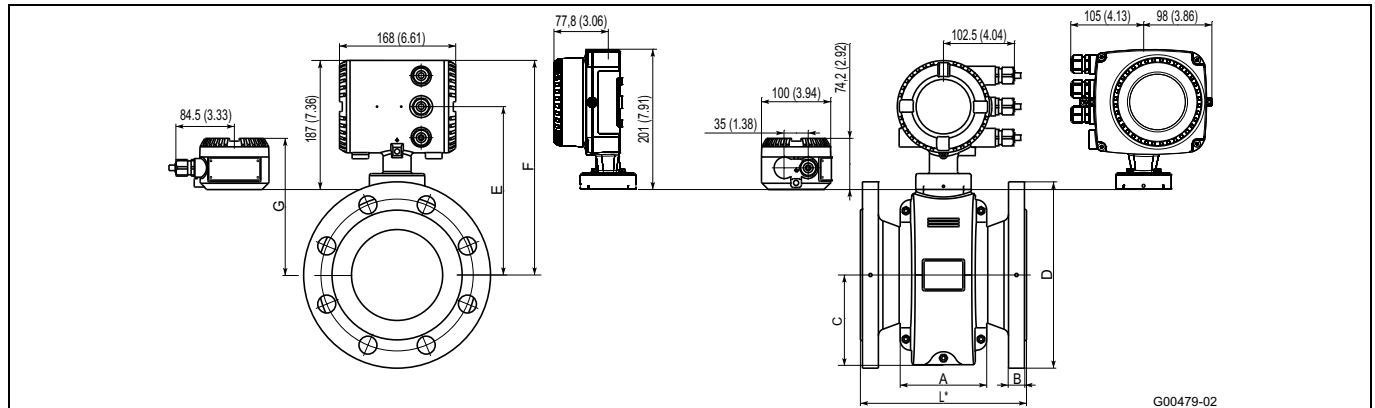


Fig. 38: Dimensions in mm (inches)

Dimensions mm (inch)										Approx. weight in kg (lb)	
DN	Process connection	D	B	L 2) 3) 8)	F 4)	C	E 4)	G 4)	A	Integral	Remote
3 ... 8 <sup>5)</sup> (1/8 ... 5/16 <sup>6)</sup> )	EN 1092-1 <sup>7)</sup>	90	19	200 (7.84)	255 (10.04)	82 (3.23)	188 (7.4)	143 (5.63)	113 (4.45)	7 (15)	5 (11)
	PN 10 ... 40 <sup>1)</sup>	(3.54)	(0.75)								
	ASME B16.5 CL 150	89	14.2								
	ASME B16.5 CL 300	(3.50)	(0.56)								
10 (3/8 <sup>6)</sup> )	ASME B16.5 CL 300	96	17.3								
	JIS 10K	90	15								
		(3.54)	(0.59)								
15 (1/2)	EN 1092-1 <sup>7)</sup>	95	19	200 (7.84)	255 (10.04)	82 (3.23)	188 (7.4)	143 (5.63)	113 (4.45)	7 (15)	5 (11)
	PN 10 ... 40 <sup>1)</sup>	(3.74)	(0.75)								
	ASME B16.5 CL 150	89	14.2								
	ASME B16.5 CL 300	96	17.3								
20 (3/4)	JIS 10K	95	15								
		(3.74)	(0.59)								
	EN 1092-1 <sup>7)</sup>	105	21	200 (7.84)	255 (10.04)	82 (3.23)	188 (7.4)	143 (5.63)	113 (4.45)	8 (18)	6 (13)
	PN 10 ... 40 <sup>1)</sup>	(4.13)	(0.83)								
ASME B16.5 CL 150	98	15.7									
ASME B16.5 CL 300	118	18.7									
25 (1)	JIS 10K	100	17								
		(3.94)	(0.67)								
	EN 1092-1 <sup>7)</sup>	115	21	200 (7.84)	255 (10.04)	82 (3.23)	188 (7.4)	143 (5.63)	113 (4.45)	9 (20)	7 (15)
	PN 10 ... 40 <sup>1)</sup>	(4.53)	(0.83)								
ASME B16.5 CL 150	108	17.2									
ASME B16.5 CL 300	124	20.5									
32 (1 1/4)	JIS 10K	125	17								
		(4.92)	(0.67)								
	EN 1092-1 <sup>7)</sup>	140	21	200 (7.87)	262 (10.31)	92 (3.62)	195 (7.68)	150 (5.91)	113 (4.45)	10 (22)	8 (18)
	PN 10 ... 40 <sup>1)</sup>	(5.51)	(0.83)								
ASME B16.5 CL 150	118	18.7									
ASME B16.5 CL 300	134	22.1									
40 (1 1/2)	JIS 10K	135	19								
		(5.31)	(0.75)								
	EN 1092-1 <sup>7)</sup>	150	21	200 (7.87)	262 (10.31)	92 (3.62)	195 (7.68)	150 (5.91)	113 (4.45)	11 (24)	9 (20)
	PN 10 ... 40 <sup>1)</sup>	(5.91)	(0.83)								
ASME B16.5 CL 150	127	20.5									
ASME B16.5 CL 300	156	23.6									
40 (1 1/2)	JIS 10K	140	19								
		(5.51)	(0.75)								

Tolerance for L: +0 / -3 mm (+0 / -0.018 inch)



DN	Process connection	Dimensions mm (inch)								Weight in kg (lb)	
		D	B	L 2) 3) 8)	F 4)	C	E 4)	G 4)	A	Integral	Remote
50 (2)	EN 1092-1 7) PN 10 ... 40 1)	165 (6.50)	23 (0.91)	200 (7.87)	268 (10.55)	97 (3.82)	201 (7.91)	156 (6.14)	115 (4.53)	12 (26)	10 (22)
	ASME B16.5 CL 150	153 (6.02)	22.1 (0.87)								
	ASME B16.5 CL 300	165 (6.50)	25.4 (1.0)								
	JIS 10K	155 (6.10)	19 (0.75)								
	AS2129 table D AS2129 table E	150 (5.91)									
65 (2 1/2)	EN 1092-1 7) PN 16 1)	185 (7.28)	22 (0.87)	200 (7.87)	279 (10.98)	108 (4.25)	212 (8.35)	167 (6.57)	104 (4.09)	15 (33)	13 (29)
	EN 1092-1 7) PN 40 1)	185 (7.28)	26 (1.02)							15 (33)	13 (29)
	ASME B16.5 CL 150	178 (7.01)	25.4 (1.0)							13 (29)	11 (24)
	ASME B16.5 CL 300	191 (7.52)	28.4 (1.12)							15 (33)	13 (29)
	JIS 10K	175 (6.89)	21 (0.83)							15 (33)	13 (29)
	AS2129 table D AS2129 table E	165 (6.50)								13 (29)	11 (24)
80 (3)	EN 1092-1 7) PN 10 ... 40 1)	200 (7.87)	28 (1.10)	200 (7.87)	279 (10.98)	108 (4.25)	212 (8.35)	167 (6.57)	104 (4.09)	17 (38)	15 (33)
	ASME B16.5 CL 150	191 (7.52)	26.9 (1.06)							17 (38)	15 (33)
	ASME B16.5 CL 300	210 (8.27)	31.4 (1.24)							19 (42)	17 (38)
	JIS 10K	185 (7.28)	21 (0.83)							19 (42)	17 (38)
	AS2129 table D AS2129 table E	185 (7.28)								17 (38)	15 (33)
100 (4)	EN 1092-1 7) PN 16 1)	220 (8.66)	24 (0.94)	250 (9.84)	301 (11.85)	122 (4.80)	234 (9.21)	189 (7.44)	125 (4.92)	19 (42)	17 (38)
	EN 1092-1 7) PN 25 ... 40 1)	235 (9.25)	28 (1.10)							23 (51)	21 (46)
	ASME B16.5 CL 150	229 (9.02)	27.4 (1.08)							21 (46)	19 (42)
	ASME B16.5 CL 300	254 (10.0)	35.8 (1.41)							30 (66)	28 (62)
	JIS 10K	210 (8.27)	21 (0.83)							19 (42)	17 (38)
	AS2129 table D AS2129 table E	215 (8.46)								21 (46)	19 (42)
125 (5)	EN 1092-1 7) PN 16 1)	250 (9.84)	25 (0.98)	250 (9.84)	311 (12.24)	130 (5.12)	244 (9.61)	199 (7.83)	125 (4.92)	22 (49)	20 (44)
	EN 1092-1 7) PN 25 ... 40 1)	270 (10.63)	29 (1.14)							29 (64)	27 (60)
	ASME B16.5 CL 150	254 (10.0)	27.9 (1.10)							22 (49)	20 (44)
	ASME B16.5 CL 300	280 (11.02)	39.1 (1.54)							35 (77)	33 (73)
	JIS 10K	250 (9.84)	27 (1.06)							22 (49)	20 (44)
	AS2129 table D AS2129 table E	255 (10.04)								22 (49)	20 (44)

Tolerance for L: +0 / -3 mm (+0 / -0.018 inch)

- Other pressure ratings on request.
- If an earthing plate is fitted (attached to one side of the flange), dimension L increases as follows: by 3 mm (0.118 inch) for DN 3 ... 100, and by 5 mm (0.197 inch) for DN 125.
- If protection plates are fitted (attached to both sides of the flange), dimension L increases as follows: by 6 mm (0.236 inch) for DN 3 ... 100, and by 10 mm (0.394 inch) for DN 125.
- Depending on the device design, the dimensions change in accordance with the following table:

Device design		Dimension E, F	Dimension G
Without explosion protection	Standard temperature design	0	0
	High temperature design	+127 mm (+5 inch)	+127 mm (+5 inch)
Explosion protection Zone 1, Division 1	Standard temperature design	+74 mm (+2.91 inch)	+47 mm (+1.85 inch)
	High temperature design	+127 mm (+5 inch)	+174 mm (+6.85 inch)
Explosion protection Zone 2, Division 2	Standard temperature design	0	0
	High temperature design	+127 mm (+5 inch)	+127 mm (+5 inch)

- Connection flange DN 10.
- Connection flange 1/2".
- Connecting dimensions in accordance with EN 1092-1. For DN 65, PN 16 in accordance with EN 1092-1, please order PN 40.
- For devices with ordering code "Installation length JN" (China production site), the installation length corresponds to the ISO installation length.

Flange DN 150 ... 400 (6 ... 16"), aluminum sensor housing (shell housing)

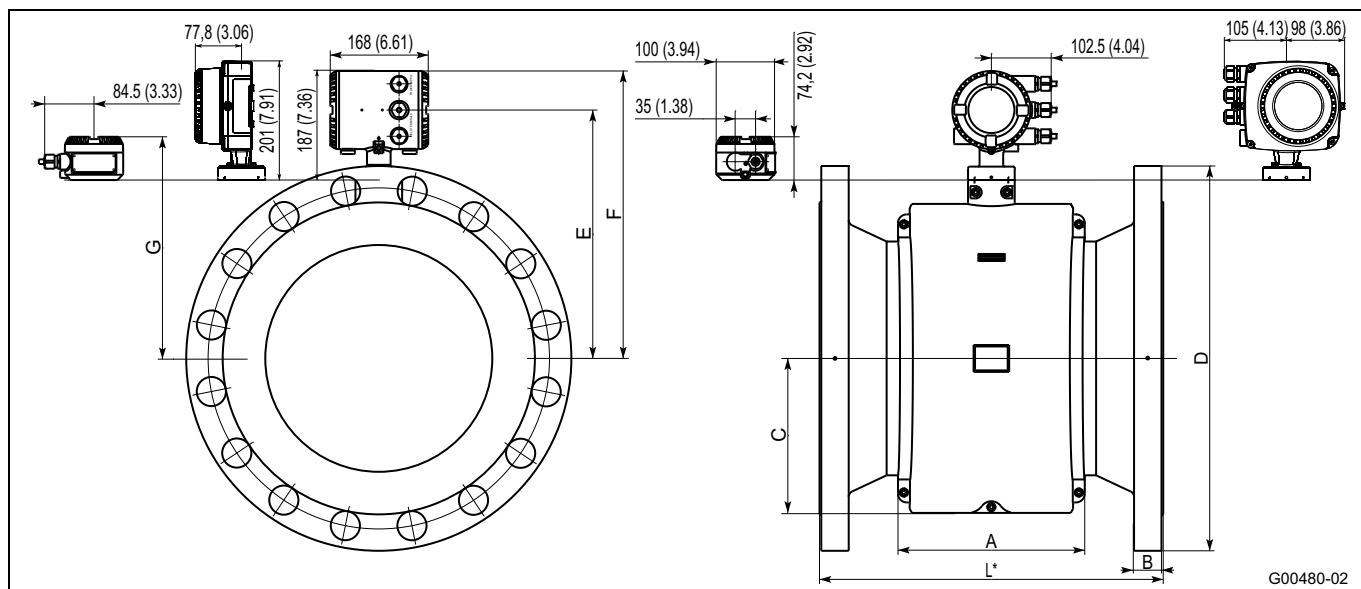


Fig. 39: Dimensions in mm (inches)

Dimensions mm (inch)										Approx. weight in kg (lb)	
DN	Process connection	D	B	L 2) 3)	F 4)	C	E 4)	G 4)	A	Integral	Remote
150 (6)	EN 1092-1 PN 16 1)	285 (11.22)	25 (0.98)	300 (11.81)	358 (14.09)	146 (5.75)	291 (11.46)	246 (9.69)	166 (6.54)	33 (73)	31 (68)
	EN 1092-1 PN 25 ... 40 1)	300 (11.81)	31 (1.22)							39 (86)	37 (82)
	ASME B16.5 CL 150	280 (11.02)	29.4 (1.16)							33 (73)	31 (68)
	ASME B16.5 CL 300	318 (12.52)	40.5 (1.59)							47 (104)	45 (99)
	JIS 10K	280 (11.02)	28 (1.10)							33 (73)	31 (68)
	AS2129 table D AS2129 table E	280 (11.02)	—							33 (73)	31 (68)
200 (8)	EN 1092-1 PN 10 ... 16 1)	340 (13.39)	28 (1.10)	350 (13.78)	399 (15.71)	170 (6.69)	331 (13.03)	286 (11.26)	200 (7.87)	41 (90)	39 (86)
	EN 1092-1 PN 25 1)	360 (14.17)	34 (1.34)							43 (95)	41 (90)
	EN 1092-1 PN 40 1)	375 (14.76)	38 (1.50)							43 (95)	41 (90)
	ASME B16.5 CL 150	345 (13.58)	33.6 (1.32)							50 (110)	48 (106)
	ASME B16.5 CL 300	381 (15)	46.1 (1.81)							72 (158)	70 (154)
	JIS 10K	330 (12.99)	33 (1.30)							43 (95)	41 (90)
	AS2129 table D AS2129 table E	335 (13.19)	—							50 (110)	48 (106)
250 (10)	EN 1092-1 PN 10 1)	395 (15.55)	30 (1.18)	450 (17.72)	413 (16.26)	198 (7.80)	346 (13.62)	301 (11.85)	235 (9.25)	61 (135)	59 (130)
	EN 1092-1 PN 16 1)	405 (15.94)	30 (1.18)							61 (135)	59 (130)
	EN 1092-1 PN 25 1)	425 (16.73)	36 (1.42)							65 (143)	63 (139)
	EN 1092-1 PN 40 1)	450 (17.72)	42 (1.65)							65 (143)	63 (139)
	ASME B16.5 CL 150	407 (16.02)	35.2 (1.39)							70 (154)	68 (150)
	ASME B16.5 CL 300	445 (17.52)	52.8 (2.08)							105 (232)	103 (227)
	JIS 10K	400 (15.75)	37 (1.46)							65 (143)	63 (139)
	AS2129 table D AS2129 table E	405 (15.94)	—							70 (154)	68 (150)

Tolerance for L: DN 150 ... 200 +0 / -3 mm (+0 / -0.118 inch), DN 250 ... 400 +0 / -5 mm (+0 / -0.197 inch)

Dimensions mm (inch)										Approx. weight in kg (lb)	
DN	Process connection	D	B	L 2) 3)	F 4)	C	E 4)	G 4)	A	Integral	Remote
300 (12)	EN 1092-1 PN 10 1)	445 (17.52)	31 (1.22)	500 (19.68)	436 (17.17)	228 (8.98)	369 (14.53)	324 (12.76)	272 (10.71)	74 (163)	72 (159)
	EN 1092-1 PN 16 1)	460 (18.11)	33 (1.30)							74 (163)	72 (159)
	EN 1092-1 PN 25 1)	485 (19.09)	39 (1.54)							80 (176)	78 (172)
	EN 1092-1 PN 40 1)	515 (20.28)	47 (1.85)							80 (176)	78 (172)
	ASME B16.5 CL 150	483 (19.02)	36.8 (1.45)							105 (232)	103 (227)
	ASME B16.5 CL 300	521 (20.51)	55.8 (2.20)							140 (309)	138 (304)
	JIS 10K	445 (17.52)	40 (1.57)							80 (176)	78 (172)
	AS2129 table D AS2129 table E	455 (17.19)	—							105 (232)	103 (227)
350 (14)	EN 1092-1 PN 10 1)	505 (19.88)	31 (1.22)	550 (21.65)	451 (17.76)	265 (10.43)	384 (15.12)	339 (13.35)	322 (12.68)	95 (209)	93 (203)
	EN 1092-1 PN 16 1)	520 (20.47)	35 (1.38)							95 (209)	93 (203)
	EN 1092-1 PN 25 1)	555 (21.85)	43 (1.69)							110 (243)	108 (238)
	ASME B16.5 CL 150	533 (20.98)	40.1 (1.58)							130 (278)	128 (282)
	ASME B16.5 CL 300	584 (22.99)	58.8 (2.31)							150 (331)	148 (326)
	JIS 10K	490 (19.29)	—							110 (243)	108 (238)
	AS2129 table D AS2129 table E	525 (20.67)	—							105 (232)	103 (227)
	400 (16)	EN 1092-1 PN 10 1)	565 (22.24)							31 (1.22)	600 (23.62)
EN 1092-1 PN 16 1)		580 (22.83)	37 (1.46)	103 (227)	101 (223)						
EN 1092-1 PN 25 1)		620 (24.41)	45 (1.77)	126 (278)	124 (273)						
ASME B16.5 CL 150		597 (23.50)	41.6 (1.64)	175 (386)	173 (381)						
ASME B16.5 CL 300		647 (25.47)	62.2 (2.45)	265 (584)	263 (580)						
JIS 10K		560 (22.05)	—	126 (278)	124 (273)						
AS2129 table D AS2129 table E		580 (22.83)	—	175 (386)	173 (381)						

Tolerance for L: DN 150 ... 200 +0 / -3 mm (+0 / -0.118 inch), DN 250 ... 400 +0 / -5 mm (+0 / -0.197 inch)

- 1) Other pressure ratings on request.
- 2) If an earthing plate is fitted (attached to one side of the flange), the length L increases by 5 mm (0.197 inch).
- 3) If protection plates are fitted (attached to both sides of the flange), the length L increases by 10 mm (0.394 inch).
- 4) Depending on the device design, the dimensions change in accordance with the following table.

Device design		Dimension E, F	Dimension G
Without explosion protection	Standard temperature design	0	0
	High temperature design	+127 mm (+5 inch)	+127 mm (+5 inch)
Explosion protection Zone 1, Division 1	Standard temperature design	+74 mm (+2.91 inch)	+47 mm (+1.85 inch)
	High temperature design	+127 mm (+5 inch)	+174 mm (+6.85 inch)
Explosion protection Zone 2, Division 2	Standard temperature design	0	0
	High temperature design	+127 mm (+5 inch)	+127 mm (+5 inch)

Flange DN 450 ... 2000 (18 ... 80"), steel sensor housing

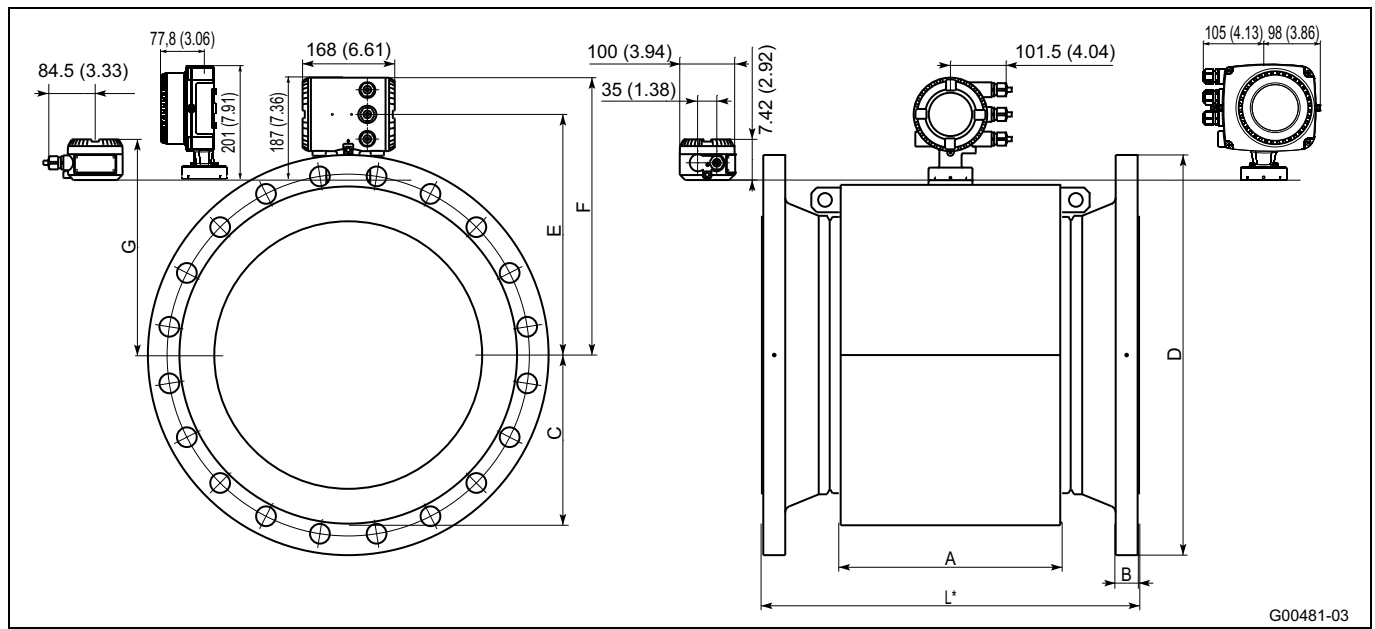


Fig. 40: Dimensions in mm (inches)

Dimensions mm (inch)										Approx. weight in kg (lb)		
DN	Process connection	D	B	L <sup>2) 3)</sup>	F <sup>4)</sup>	C	E <sup>4)</sup>	G <sup>4)</sup>	A	Integral	Remote	
450 (18)	ASME B16.5 CL 150	635 (25.0)	44.6 (1.76)	686 (27.01)	501 (19.72)	310 (12.20)	434 (17.09)	389 (15.31)	407 (16.02)	260 (573)	258 (569)	
	AS2129 table D AS2129 table E	640 (25.20)	—									
500 (20)	EN 1092-1 PN 10 <sup>1)</sup>	670 (26.38)	33 (1.30)	650 (25.59)	501 (19.72)	310 (12.20)	434 (17.09)	389 (15.31)	407 (16.02)	190 (419)	188 (415)	
	EN 1092-1 PN 16 <sup>1)</sup>	715 (28.15)	39 (1.54)							240 (529)	238 (525)	
	ASME B16.5 CL 150	699 (27.52)	47.9 (1.89)							762 (30.0)	300 (661)	298 (657)
	AS2129 table D AS2129 table E	705 (27.76)	—							650 (25.59)		
600 (24)	EN 1092-1 PN 10 <sup>1)</sup>	780 (30.71)	33 (1.30)	780 (30.71)	552 (21.73)	361 (14.21)	485 (19.09)	440 (17.32)	469 (18.46)	246 (542)	244 (537)	
	EN 1092-1 PN 16 <sup>1)</sup>	840 (33.07)	41 (1.61)							318 (701)	316 (697)	
	ASME B16.5 CL 150	813 (32.01)	52.8 (2.08)							914 (35.98)	425 (937)	423 (933)
	AS2129 table D AS2129 table E	825 (32.48)	—							780 (30.71)		
700 (28)	EN 1092-1 PN 10 <sup>1)</sup>	895 (35.24)	35 (1.38)	910 (35.83)	596 (23.46)	405 (15.94)	529 (20.83)	484 (19.06)	537 (21.14)	320 (706)	318 (701)	
	EN 1092-1 PN 16 <sup>1)</sup>	910 (35.83)	41 (1.61)							440 (970)	438 (966)	
	ASME 16.47 series B CL 150	837 (32.95)	49.6 (1.95)							350 (772)	348 (767)	
760 (30)	ASME B16.5 CL 150	888 (34.96)	44.5 (1.75)	990 (38.96)	606 (23.86)	435 (17.13)	539 (21.22)	494 (19.45)	-	230 (507)	228 (503)	
800 (32)	EN 1092-1 PN 10 <sup>1)</sup>	1015 (39.96)	37 (1.46)	1040 (40.94)	646 (25.43)	455 (17.91)	579 (22.8)	534 (21.02)	605 (23.82)	420 (926)	418 (922)	
	EN 1092-1 PN 16 <sup>1)</sup>	1025 (40.35)	43 (1.69)							490 (1080)	488 (1076)	
	ASME 16.47 series B CL 150	942 (37.09)	51 (2.01)							502 (1107)	500 (1102)	

Tolerance for L: DN 450 ... 500 +0 / -5 mm (+0 / -0.197 inch), DN 600 ... 2000 +0 / -10 mm (+0 / -0.394 inch)

Dimensions mm (inch)										Approx. weight in kg (lb)	
DN	Process connection	D	B	L 2) 3)	F 4)	C	E 4)	G 4)	A	Integral	Remote
900 (36)	EN 1092-1 PN 10 1)	1115 (43.90)	39 (1.54)	1170 (46.06)	696 (27.40)	505 (19.88)	629 (24.76)	584 (22.99)	671 (26.42)	505 (1113)	503 (1109)
	EN 1092-1 PN 16 1)	1125 (44.29)	45 (1.77)							590 (1301)	588 (1296)
	ASME 16.47 series B CL 150	1157 (45.55)	57.3 (22.56)							680 (1499)	678 (1495)
1000 (40)	EN 1092-1 PN 10 1)	1230 (48.43)	39 (1.54)	1300 (51.18)	746 (29.37)	555 (21.85)	679 (26.73)	634 (24.96)	739 (29.09)	690 (1521)	688 (1516)
	EN 1092-1 PN 16 1)	1255 (49.41)	47 (1.85)							850 (1873)	848 (1869)
	ASME 16.47 series B CL 150	1175 (46.26)	60.6 (2.39)							880 (1940)	878 (1936)
1050 (42)	ASME 16.47 series B CL 150	1067 (42.01)	58.7 (2.31)	1365 (53.74)	771 (30.35)	580 (22.83)	704 (27.72)	659 (25.94)	739 (29.09)	932 (2055)	930 (2050)
1100 (44)	ASME 16.47 series B CL 150	1118 (44.02)	60.5 (2.38)	1430 (56.30)	—	—	—	—	739 (29.09)	962 (2121)	960 (2116)
1200 (48)	EN 1092-1 PN 10 1)	1455 (57.28)	43 (1.69)	1560 (61.42)	856 (33.7)	660 (25.98)	789 (31.06)	742 (29.21)	800 (31.5)	700 (1543)	698 (1538)
	EN 1092-1 PN 16 1)	1485 (58.46)	53 (2.09)							930 (2050)	928 (2046)
1400 (56)	EN 1092-1 PN 10 1)	1675 (65.94)	47 (1.85)	1820 (71.65)	950 (37.4)	755 (29.72)	884 (34.8)	838 (32.99)	900 (35.43)	810 (1786)	808 (1781)
	EN 1092-1 PN 16 1)	1685 (66.34)	57 (2.24)							1210 (2668)	1208 (2663)
1500 (60)	ASME 16.47 series B CL 150	1676 (65.98)	76.2 (3.00)	1950 (76.77)	996 (39.21)	805 (31.69)	929 (36.57)	884 (34.80)	900 (35.43)	1952 (4303)	1950 (4299)
1600 (64)	EN 1092-1 PN 10 1)	1915 (75.39)	51 (2.01)	2080 (81.89)	1060 (41.73)	865 (34.06)	994 (39.13)	948 (37.32)	990 (38.98)	1180 (2602)	1178 (2597)
	EN 1092-1 PN 16 1)	1930 (76.38)	63 (2.48)							1630 (3593)	1628 (3589)
1800 (72)	EN 1092-1 PN 10 1)	2115 (83.27)	55 (2.17)	2340 (92.13)	1176 (46.3)	980 (38.58)	1109 (43.66)	1062 (41.81)	1080 (42.52)	1490 (3285)	1488 (3280)
	EN 1092-1 PN 16 1)	2130 (83.86)	67 (2.64)							2230 (4916)	2228 (4912)
2000 (80)	EN 1092-1 PN 10 1)	2325 (91.54)	59 (2.32)	2600 (102.36)	1286 (50.63)	1090 (42.91)	1219 (47.99)	1172 (46.14)	1170 (46.06)	1880 (4145)	1878 (4140)
	EN 1092-1 PN 16 1)	2345 (92.32)	71 (2.80)							2650 (5842)	2648 (5838)

Tolerance for L: DN 450 ... 500 +0 / -5 mm (+0 / -0.197 inch), DN 600 ... 2000 +0 / -10 mm (+0 / -0.394 inch)

- 1) Other pressure ratings on request.
- 2) If an earthing plate is fitted (attached to one side of the flange), dimension L increases as follows: by 5 mm (0.197 inch) for DN 400 ... 600.
- 3) If protection plates are fitted (attached to both sides of the flange), dimension L increases as follows: by 10 mm (0.394 inch) for DN 400 ... 600.
- 4) Depending on the device design, the dimensions change in accordance with the following table.

Device design		Dimension E, F	Dimension G
Without explosion protection	Standard temperature design	0	0
	High temperature design	+127 mm (+5 inch)	+127 mm (+5 inch)
Explosion protection Zone 1, Division 1	Standard temperature design	+74 mm (+2.91 inch)	+47 mm (+1.85 inch)
	High temperature design	+127 mm (+5 inch)	+174 mm (+6.85 inch)
Explosion protection Zone 2, Division 2	Standard temperature design	0	0
	High temperature design	+127 mm (+5 inch)	+127 mm (+5 inch)

Dimensions for sensor design level „C“

Flange DN 25 ... 600 (18 ... 24"), steel sensor housing

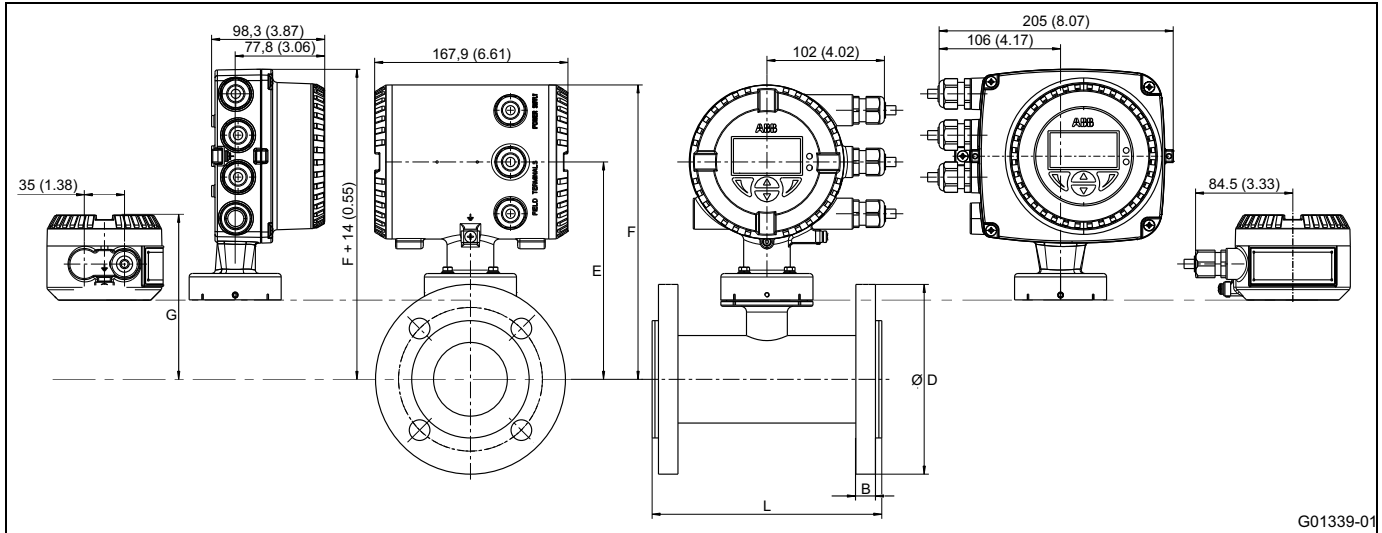


Fig. 41: Dimensions in mm (inches)

DN	Process connection	Dimensions mm (inch)						Approx. weight in kg (lb)	
		D	B	L 2) 3)	F 4)	E 4)	G 4)	Integral	Remote
25 (1")	EN 1092-1 PN 10 ... 40 1)	115 (4.53)	23 (0.91)	200 (7.84)	244 (9.61)	177 (6.97)	131 (5.16)	9 (20)	7 (15)
	ASME B16.5 CL 150	115 (4.53)	23 (0.91)						
	ASME B16.5 CL 300	125 (4.92)	22 (0.87)						
	JIS 10K	115 (4.53)	23 (0.91)						
	AS2129 table D AS2129 table E	115 (4.53)	23 (0.91)						
32 (1 1/4")	EN 1092-1 PN 10 ... 40 1)	150 (5.91)	25 (0.98)	200 (7.84)	249 (9.80)	182 (7.17)	136 (5.35)	10 (22)	8 (18)
	ASME B16.5 CL 150	150 (5.91)	25 (0.98)						
	ASME B16.5 CL 300	135 (5.31)	23 (0.91)						
	JIS 10K	150 (5.91)	25 (0.98)						
	AS2129 table D AS2129 table E	150 (5.91)	25 (0.98)						
40 (1 1/2")	EN 1092-1 PN 10 ... 40 1)	150 (5.91)	23 (0.91)	200 (7.84)	254 (10.0)	187 (7.36)	141 (5.55)	11 (24)	9 (20)
	ASME B16.5 CL 150	150 (5.91)	23 (0.91)						
	ASME B16.5 CL 300	155 (6.10)	25 (0.98)						
	JIS 10K	140 (5.51)	21 (0.83)						
	AS2129 table D	150 (5.91)	23 (0.91)						
	AS2129 table E	135 (5.31)	23 (0.91)						
50 (2")	EN 1092-1 PN 10 ... 40 1)	165 (6.50)	27 (1.06)	200 (7.84)	257 (10.12)	190 (7.48)	144 (5.67)	12 (26)	10 (22)
	ASME B16.5 CL 150	165 (6.50)	27 (1.06)						
	ASME B16.5 CL 300	165 (6.50)	27 (1.06)						
	JIS 10K	165 (6.50)	27 (1.06)						
	AS2129 table D	150 (5.91)	18 (0.71)						
	AS2129 table E	150 (5.91)	18 (0.71)						

Tolerance for L: +0 / -3 mm (+0 / -0.018 inch)

DN	Process connection	Dimensions mm (inch)						Approx. weight in kg (lb)	
		D	B	L 2) 3)	F 4)	E 4)	G 4)	Integral	Remote
65 (2 1/2")	EN 1092-1 PN 10 ... 40 1)	185 (7.28)	30 (1.18)	200 (7.87)	271 (10.67)	204 (8.03)	158 (6.22)	15 (33)	13 (29)
	ASME B16.5 CL 150	180 (7.09)	30 (1.18)					13 (29)	11 (24)
	ASME B16.5 CL 300	190 (7.48)	29 (1.14)					15 (33)	13 (29)
	JIS 10K	185 (7.28)	30 (1.18)					15 (33)	13 (29)
	AS2129 table D AS2129 table E	165 (6.50)	18 (0.71)					13 (29)	11 (24)
80 (3")	EN 1092-1 PN 10 ... 40 1)	205 (8.07)	30 (1.18)	200 (7.87)	275 (10.83)	208 (8.19)	162 (6.38)	17 (38)	15 (33)
	ASME B16.5 CL 150	205 (8.07)	30 (1.18)					17 (38)	15 (33)
	ASME B16.5 CL 300	210 (8.27)	33 (1.30)					19 (42)	17 (38)
	JIS 10K	205 (8.07)	30 (1.18)					19 (42)	17 (38)
	AS2129 table D AS2129 table E	205 (8.07)	30 (1.18)					17 (38)	15 (33)
100 (4")	EN 1092-1 PN 10 ... 16 1)	235 (9.25)	29 (1.14)	250 (9.84)	306 (12.05)	239 (9.41)	193 (7.60)	24 (53)	22 (48)
	EN 1092-1 PN 25 ... 40 1)	235 (9.25)	28 (1.10)					24 (53)	22 (48)
	ASME B16.5 CL 150	235 (9.25)	29 (1.14)					24 (53)	22 (48)
	ASME B16.5 CL 300	255 (10.04)	38 (1.50)					30 (66)	28 (62)
	JIS 10K	235 (9.25)	29 (1.14)					19 (42)	17 (38)
	AS2129 table D AS2129 table E	235 (9.25)	29 (1.14)					21 (46)	19 (42)
125 (5")	EN 1092-1 PN 10 ... 16 1)	270 (10.63)	38 (1.50)	250 (9.84)	318 (12.52)	251 (9.88)	205 (8.07)	25 (55)	23 (51)
	EN 1092-1 PN 25 ... 40 1)	270 (10.63)	36 (1.42)					25 (55)	23 (51)
	ASME B16.5 CL 150	270 (10.63)	38 (1.50)					25 (55)	23 (51)
	ASME B16.5 CL 300	280 (11.02)	42 (1.65)					35 (77)	33 (73)
	JIS 10K	270 (10.63)	38 (1.50)					22 (49)	20 (44)
	AS2129 table D AS2129 table E	270 (10.63)	38 (1.50)					22 (49)	20 (44)
150 (6")	EN 1092-1 PN 10 ... 16 1)	300 (11.81)	31 (1.22)	300 (11.81)	339 (13.35)	272 (10.71)	226 (8.90)	33 (73)	31 (68)
	EN 1092-1 PN 25 ... 40 1)	300 (11.81)	38 (1.50)					39 (86)	37 (82)
	ASME B16.5 CL 150	300 (11.81)	31 (1.22)					33 (73)	31 (68)
	ASME B16.5 CL 300	320 (12.60)	44 (1.73)					47 (104)	45 (99)
	JIS 10K	300 (11.81)	31 (1.22)					33 (73)	31 (68)
	AS2129 table D	300 (11.81)	31 (1.22)					33 (73)	31 (68)
	AS2129 table E	280 (11.02)	24 (0.94)					33 (73)	31 (68)

Tolerance for L: +0 / -3 mm (+0 / -0.018 inch)

DN	Process connection	Dimensions mm (inch)						Approx. weight in kg (lb)	
		D	B	L <sup>2) 3)</sup>	F <sup>4)</sup>	E <sup>4)</sup>	G <sup>4)</sup>	Integral	Remote
200 (8")	EN 1092-1 PN 10 <sup>1)</sup>	375 (14.76)	35 (1.38)	350 (13.78)	364 (14.33)	297 (11.69)	252 (9.92)	41 (90)	39 (86)
	EN 1092-1 PN 16 <sup>1)</sup>	375 (14.76)	35 (1.38)					43 (95)	41 (90)
	ASME B16.5 CL 150	375 (14.76)	35 (1.38)					50 (110)	48 (106)
	ASME B16.5 CL 300	380 (14.96)	51 (2.01)					72 (158)	70 (154)
	JIS 10K	330 (12.99)	30 (1.18)					43 (95)	41 (90)
	AS2129 table D	335 (13.19)	35 (1.38)					50 (110)	48 (106)
	AS2129 table E	335 (13.19)	35 (1.38)					50 (110)	48 (106)
250 (10")	EN 1092-1 PN 10 <sup>1)</sup>	395 (15.55)	37 (1.46)	450 (17.72)	390 (15.35)	323 (12.72)	278 (10.94)	61 (135)	59 (130)
	EN 1092-1 PN 16 <sup>1)</sup>	405 (15.94)	37 (1.46)					65 (143)	63 (139)
	ASME B16.5 CL 150	405 (15.94)	37 (1.46)					70 (154)	68 (150)
	ASME B16.5 CL 300	445 (17.52)	61 (2.40)					105 (232)	103 (227)
	JIS 10K	405 (15.94)	37 (1.46)					65 (143)	63 (139)
	AS2129 table D	405 (15.94)	37 (1.46)					70 (154)	68 (150)
	AS2129 table E	405 (15.94)	25 (0.98)					70 (154)	68 (150)
300 (12")	EN 1092-1 PN 10 <sup>1)</sup>	445 (17.52)	38 (1.50)	500 (19.68)	415 (16.34)	348 (15.12)	303 (11.93)	74 (163)	72 (159)
	EN 1092-1 PN 16 <sup>1)</sup>	445 (17.52)	38 (1.50)					80 (176)	78 (172)
	ASME B16.5 CL 150	483 (19.02)	38 (1.50)					105 (232)	103 (227)
	ASME B16.5 CL 300	521 (20.51)	55 (2.17)					150 (331)	148 (326)
	JIS 10K	445 (17.52)	38 (1.50)					80 (176)	78 (172)
	AS2129 table D	455 (17.19)	38 (1.50)					105 (232)	103 (227)
	AS2129 table E	455 (17.19)	29 (1.14)					105 (232)	103 (227)
350 (14")	EN 1092-1 PN 10 <sup>1)</sup>	505 (19.88)	35 (1.38)	550 (21.65)	438 (17.24)	371 (14.61)	326 (12.83)	95 (209)	93 (203)
	EN 1092-1 PN 16 <sup>1)</sup>	520 (20.47)	40 (1.57)					110 (243)	108 (238)
	ASME B16.5 CL 150	533 (20.98)	54 (2.13)					105 (232)	103 (227)
	ASME B16.5 CL 300	584 (22.99)	80 (3.15)					140 (309)	138 (304)
	JIS 10K	490 (19.29)	31 (1.22)					110 (243)	108 (238)
	AS2129 table D	525 (20.67)	27 (1.06)					105 (232)	103 (227)
	AS2129 table E	525 (20.67)	38 (1.50)					105 (232)	103 (227)

Tolerance for L: DN 150 ... 200 +0 / -3 mm (+0 / -0.018 inch), DN 250 ... 600 +0 / -5 mm (+0 / -0.197 inch)



DN	Process connection	Dimensions mm (inch)						Approx. weight in kg (lb)	
		D	B	L <sup>2) 3)</sup>	F <sup>4)</sup>	E <sup>4)</sup>	G <sup>4)</sup>	Integral	Remote
400 (16")	EN 1092-1 PN 10 <sup>1)</sup>	565 (22.24)	37 (1.46)	600 (23.62)	462 (18.19)	395 (15.55)	350 (13.78)	103 (227)	101 (223)
	EN 1092-1 PN 16 <sup>1)</sup>	580 (22.83)	43 (1.69)					126 (278)	124 (273)
	ASME B16.5 CL 150	597 (23.50)	57 (2.24)					175 (386)	173 (381)
	ASME B16.5 CL 300	647 (25.47)	88 (3.46)					265 (584)	263 (580)
	JIS 10K	560 (22.05)	33 (1.30)					126 (278)	124 (273)
	AS2129 table D	580 (22.83)	31 (1.22)					175 (386)	173 (381)
	AS2129 table E	580 (22.83)	39 (1.54)					175 (386)	173 (381)
450 (18")	ASME B16.5 CL 150	635 (25.00)	66 (2.60)	600 (23.62)	487 (19.17)	420 (16.54)	375 (14.76)	260 (573)	258 (569)
	AS2129 table D	640 (25.20)	30 (1.18)						
	AS2129 table E	640 (25.20)	40 (1.57)						
500 (20")	EN 1092-1 PN 10 <sup>1)</sup>	670 (26.38)	43 (1.96)	600 (23.62)	514 (20.24)	447 (17.60)	402 (15.83)	190 (419)	188 (415)
	EN 1092-1 PN 16 <sup>1)</sup>	715 (28.15)	51 (2.01)					240 (529)	238 (525)
	ASME B16.5 CL 150	699 (27.52)	69 (2.72)					300 (661)	298 (657)
	AS2129 table D	705 (27.76)	34 (1.34)						
	AS2129 table E	705 (27.76)	43 (1.69)						
600 (24")	EN 1092-1 PN 10 <sup>1)</sup>	780 (30.71)	47 (1.85)	800 (31.50)	569 (22.40)	502 (19.76)	457 (17.99)	246 (542)	244 (537)
	EN 1092-1 PN 16 <sup>1)</sup>	840 (33.07)	60 (2.36)					318 (701)	316 (697)
	ASME B16.5 CL 150	813 (32.01)	80 (3.15)					425 (937)	423 (933)
	AS2129 table D	825 (32.48)	47 (1.85)						
	AS2129 table E	825 (32.48)	53 (2.09)						

Tolerance for L: DN 150 ... 200 +0 / -3 mm (+0 / -0.018 inch), DN 250 ... 600 +0 / -5 mm (+0 / -0.197 inch)

- 1) Other pressure ratings on request.
- 2) If an earthing plate is fitted (attached to one side of the flange), dimension L increases by 5 mm (0.197 inch).
- 3) If protection plates are fitted (attached to both sides of the flange), dimension L increases by 10 mm (0.394 inch).
- 4) Depending on the device design, the dimensions change in accordance with the following table.

Device design		Dimension E, F	Dimension G
Without explosion protection	Standard temperature design	0	0
	High temperature design	+127 mm (+5 inch)	+127 mm (+5 inch)
Explosion protection Zone 1, Division 1	Standard temperature design	+74 mm (+2.91 inch)	+47 mm (+1.85 inch)
	High temperature design	+127 mm (+5 inch)	+174 mm (+6.85 inch)
Explosion protection Zone 2, Division 2	Standard temperature design	0	0
	High temperature design	+127 mm (+5 inch)	+127 mm (+5 inch)

**Dimensions for high-pressure sensor version**

**Flange DN 15 ... 400 (1/2 ... 16"), high-pressure version, Sensor housing made of Aluminium (Clamp Shell)**

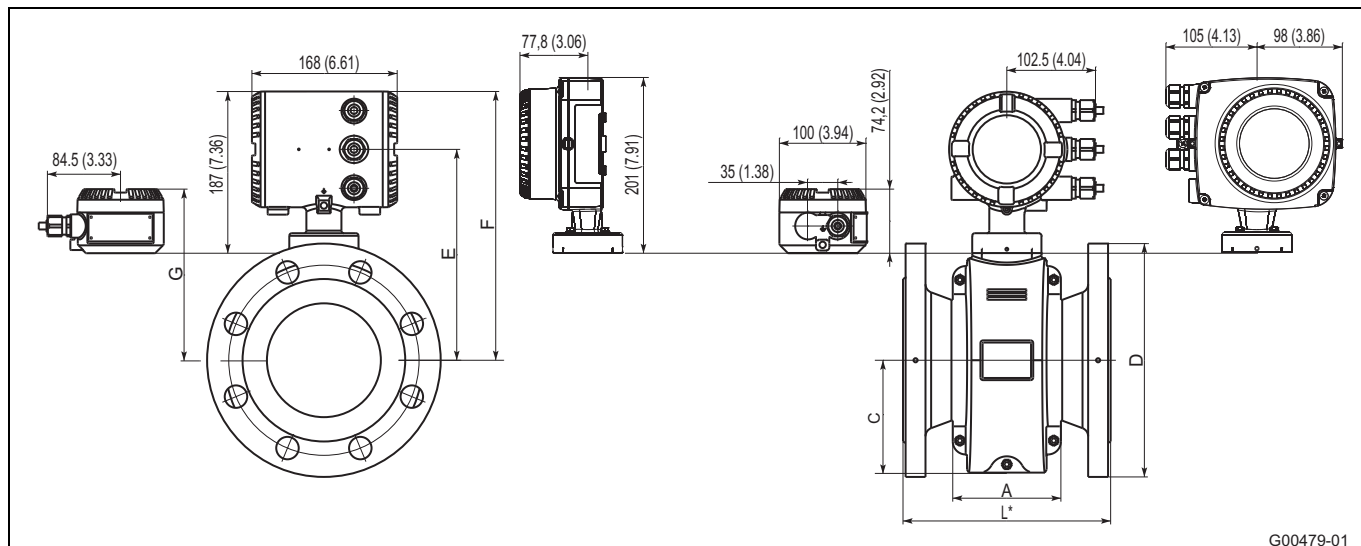


Fig. 42: Dimensions in mm (inch)

G00479-01

DN	Process connection	Dimensions mm (inch)							Approx. weight kg (lb)	
		D	L 1) 2)	F 4)	C	E 3)	G 3)	A	Integral	Remote
15 (1/2")	DIN 2636 PN 63	105	270	255 (10.04)	82 (3.23)	188 (7.4)	143 (5.63)	113 (4.45)	10 (22)	8 (18)
	DIN 2637 PN 100	(4.13)	(10.63)						12 (26)	10 (22)
	ASME B16.5, CL 600	95 (3.74)	270 (10.63)							
25 (1")	DIN 2636 PN 63	140	270	255 (10.04)	82 (3.23)	188 (7.4)	143 (5.63)	113 (4.45)	12 (27)	10 (22)
	DIN 2637 PN 100	(5.51)	(10.63)						12 (26)	10 (22)
	ASME B16.5, CL 600	124 (4.88)	270 (10.63)							
	ASME B16.5, CL 900	149 (5.87)	300 (11.81)							
	ASME B16.5, CL 1500	149 (5.87)	300 (11.81)							
40 (1 1/2")	DIN 2636 PN 63	170	280	262 (10.31)	92 (3.62)	195 (7.68)	150 (5.91)	113 (4.45)	13 / 14 (29 / 31)	11 / 12 (24 / 27)
	DIN 2637 PN 100	(6.69)	(11.02)						13 (29)	11 (24)
	ASME B16.5, CL 600	156 (6.14)	280 (11.02)							
	ASME B16.5, CL 900	177 (6.97)	300 (11.81)							
	ASME B16.5, CL 1500	177 (6.97)	350 (13.78)							
50 (2")	ASME B16.5, CL 2500	203 (7.99)	400 (15.75)							
	DIN 2636 PN 63	180	280	268 (10.55)	97 (3.82)	201 (7.91)	156 (6.14)	115 (4.53)	15 (33)	13 (29)
	DIN 2637 PN 100	(7.09)	(11.02)						18 (40)	16 (35)
	ASME B16.5, CL 600	195 (7.68)	280 (11.02)						15 (33)	13 (29)
	ASME B16.5, CL 900	165 (6.50)	280 (11.02)							
	ASME B16.5, CL 1500	216 (8.50)	400 (15.75)							
ASME B16.5, CL 2500	216 (8.50)	400 (15.75)								

Tolerance L: DN 25 ... 100 +0 / -3 mm (+0 / -0,018 inch), DN 150 ... 200 +0 / -3 mm (+0 / -0,118 inch), DN 250 ... 400 +0 / -5 mm (+0 / -0,197 inch)

DN	Process connection	Dimensions mm (inch)							Approx. weight kg (lb)	
		D	L 1) 2)	F 4)	C	E 3)	G 3)	A	Integral	Remote
65 (2 1/2")	DIN 2636 PN 63	205 (8.07)	330 (12.99)	279 (10.98)	108 (4.25)	212 (8.35)	167 (6.57)	104 (4.09)	18 (40)	16 (35)
	DIN 2637 PN 100	220 (8.66)	330 (12.99)						23 (51)	21 (46)
	ASME B16.5, CL 600	190 (7.48)	330 (12.99)						20 (44)	18 (40)
	ASME B16.5, CL 900	244 (9.61)	400 (15.75)							
	ASME B16.5, CL 1500	244 (9.61)	400 (15.75)							
	ASME B16.5, CL 2500	266 (10.47)	450 (17.72)							
80 (3")	DIN 2636 PN 63	215 (8.46)	340 (13.39)	279 (10.98)	108 (4.25)	212 (8.35)	167 (6.57)	104 (4.09)	22 (49)	20 (44)
	DIN 2637 PN 100	230 (9.06)	340 (13.39)						26 (57)	24 (53)
	ASME B16.5, CL 600	209 (8.23)	340 (13.39)						25 (55)	23 (51)
	ASME B16.5, CL 900	241 (9.49)	400 (15.75)							
	ASME B16.5, CL 1500	266 (10.47)	400 (15.75)							
	ASME B16.5, CL 2500	305 (12.01)	500 (19.68)							
100 (4")	DIN 2636 PN 63	250 (9.84)	400 (15.75)	301 (11.85)	122 (4.8)	234 (9.21)	189 (7.44)	125 (4.92)	29 (64)	27 (60)
	DIN 2637 PN 100	265 (10.43)	400 (15.75)						38 (84)	26 (57)
	ASME B16.5, CL 600	273 (10.75)	400 (15.75)						46 (101)	44 (97)
	ASME B16.5, CL 900	292 (11.50)	400 (15.75)							
	ASME B16.5, CL 1500	311 (12.24)	420 (16.54)							
	ASME B16.5, CL 2500	355 (13.98)	600 (23.62)							
125 (5")	DIN 2636 PN 63	295 (11.61)	450 (17.72)	311 (12.24)	130 (5.12)	244 (9.61)	199 (7.83)	125 (4.92)	on request	on request
	DIN 2637 PN 100	315 (12.4)	450 (17.72)							
	ASME B16.5, CL 600	330 (12.99)	400 (15.75)							
	ASME B16.5, CL 900	349 (13.74)	450 (17.72)							
	ASME B16.5, CL 1500	374 (14.72)	500 (19.68)							
	ASME B16.5, CL 2500	419 (16.50)	700 (27.56)							
150 (6")	DIN 2636 PN 63	345 (13.58)	450 (17.72)	358 (14.09)	146 (5.75)	291 (11.46)	246 (9.69)	166 (6.54)	on request	on request
	DIN 2637 PN 100	355 (13.98)	450 (17.72)							
	ASME B16.5, CL 600	355 (13.98)	450 (17.72)							
	ASME B16.5, CL 900	381 (15.0)	500 (19.68)							
	ASME B16.5, CL 1500	393 (15.47)	600 (23.62)							
	ASME B16.5, CL 2500	482 (18.98)	800 (31.50)							

Tolerance L: DN 25 ... 100 +0 / -3 mm (+0 / -0,018 inch), DN 150 ... 200 +0 / -3 mm (+0 / -0,118 inch),  
DN 250 ... 400 +0 / -5 mm (+0 / -0,197 inch)

DN	Process connection	Dimensions mm (inch)							Approx. weight kg (lb)	
		D	L <sup>1) 2)</sup>	F <sup>4)</sup>	C	E <sup>3)</sup>	G <sup>3)</sup>	A	Integral	Remote
200 (8")	DIN 2636 PN 63	415 (16.34)	500 (19.68)	399 (15.71)	170 (6.69)	331 (13.03)	286 (11.26)	200 (7.87)	on request	on request
	DIN 2637 PN 100	430 (16.93)	500 (19.68)							
	ASME B16.5, CL 600	419 (16.50)	500 (19.68)							
	ASME B16.5, CL 900	470 (18.50)	600 (23.62)							
	ASME B16.5, CL 1500	482 (18.98)	700 (27.56)							
	ASME B16.5, CL 2500	552 (21.73)	950 (37.40)							
250 (10")	ASME B16.5, CL 600	508 (20.0)	500 (19.68)	413 (16.26)	198 (7.80)	346 (13.62)	301 (11.85)	235 (9.25)	on request	on request
	ASME B16.5, CL 900	546 (21.5)	700 (27.56)							
	ASME B16.5, CL 1500	584 (22.99)	850 (33.46)							
	ASME B16.5, CL 2500	673 (26.50)	1200 (47.24)							
300 (12")	ASME B16.5, CL 600	559 (22.01)	750 (29.53)	436 (17.17)	228 (8.98)	369 (14.53)	324 (12.76)	272 (10.71)	on request	on request
	ASME B16.5, CL 900	609 (23.98)	800 (31.50)							
	ASME B16.5, CL 1500	673 (26.50)	950 (37.40)							
	ASME B16.5, CL 2500	762 (30.00)	1400 (55.12)							
350 (14")	ASME B16.5, CL 600	603 (23.74)	750 (29.53)	451 (17.76)	265 (10.43)	384 (15.12)	339 (13.35)	322 (12.68)	on request	on request
	ASME B16.5, CL 900	641 (25.24)	850 (33.46)							
	ASME B16.5, CL 1500	749 (29.49)	1050 (41.34)							
400 (16")	ASME B16.5, CL 600	686 (27.01)	800 (31.50)	493 (19.41)	265 (10.43)	426 (16.77)	381 (15.00)	322 (12.68)	on request	on request
	ASME B16.5, CL 900	705 (27.76)	900 (35.43)							
	ASME B16.5, CL 1500	825 (32.48)	1100 (43.31)							

Tolerance L: DN 25 ... 100 +0 / -3 mm (+0 / -0,018 inch), DN 150 ... 200 +0 / -3 mm (+0 / -0,118 inch),  
DN 250 ... 400 +0 / -5 mm (+0 / -0,197 inch)

- 1) If a grounding plate is installed (attached to one side of the flange), this increases dimension L as follows: DN 3 ... 100 by 3 mm (0.118 inch); DN 125 by 5 mm (0.197 inch).
- 2) If protection plates are installed (attached to both sides of the flange), this increases dimension L as follows: DN 3 ... 100 by 6 mm (0.236 inch); DN 125 by 10 mm (0.394 inch).
- 3) Depending on the device design, the dimensions change according to the following table.

Device design		Dimension E, F	Dimension G
Without explosion protection	Standard sensor design	0	0
	High-temperature sensor design	+127 mm (+5 inch)	+127 mm (+5 inch)
Explosion protection Zone 1, Div. 1	Standard sensor design	+74 mm (+2.91 inch)	+47 mm (+1.85 inch)
	High-temperature sensor design	+127 mm (+5 inch)	+174 mm (+6.85 inch)
Explosion protection Zone 2, Div. 2	Standard sensor design	0	0
	High-temperature sensor design	+127 mm (+5 inch)	+127 mm (+5 inch)

Flange DN 25... 400 (1 ... 16"), high-pressure version, Sensor housing made of stainless steel

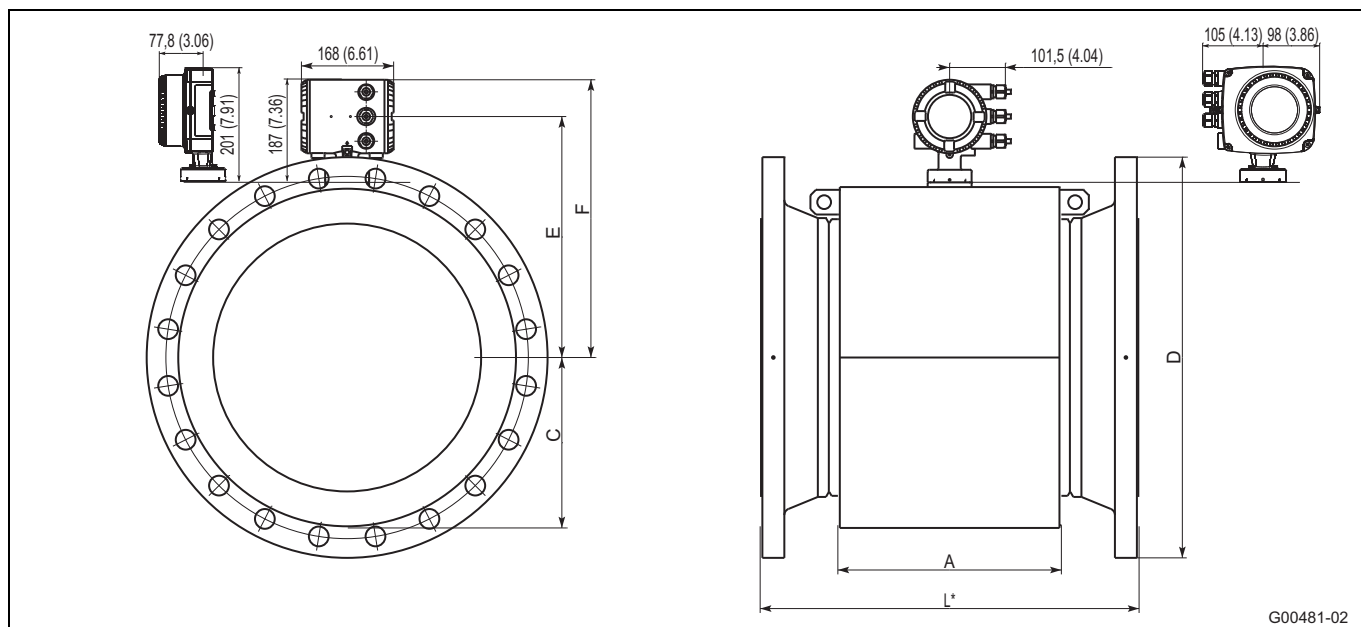


Fig. 43: Dimensions in mm (inch)

DN	Process connection	Dimensions [mm (inch)]					Approx. weight [kg (lb)]	
		D	L <sup>1) 2)</sup>	F <sup>4)</sup>	C	E <sup>3)</sup>		A
25 (1")	ASME B16.5 CL 600	124 (4.88)	270 (10.63)	283 (11.14)	73 (2.87)	216 (8.50)	105 (4.13)	12 (26)
	ASME B16.5 CL 900	149 (5.87)	300 (11.81)					
	ASME B16.5 CL 1500	149 (5.87)	300 (11.81)					
	ASME B16.5 CL 2500	158 (6.22)	350 (13.78)					
40 (1 1/2")	ASME B16.5 CL 600	156 (6.14)	280 (11.02)	288 (11.34)	78 (3.07)	221 (8.70)	105 (4.13)	13 (29)
	ASME B16.5 CL 900	177 (6.97)	300 (11.81)					
	ASME B16.5 CL 1500	177 (6.97)	350 (13.78)					
	ASME B16.5 CL 2500	203 (7.99)	400 (15.75)					
50 (2")	ASME B16.5 CL 600	165 (6.5)	280 (11.02)	305 (12.01)	85 (3.35)	238 (9.37)	105 (4.13)	15 (33)
	ASME B16.5 CL 900	216 (8.50)	400 (15.75)					
	ASME B16.5 CL 1500	216 (8.50)	400 (15.75)					
	ASME B16.5 CL 2500	235 (9.25)	450 (17.72)					
65 (2 1/2")	ASME B16.5 CL 600	190 (7.48)	330 (12.99)	316 (12.44)	91 (3.58)	249 (9.80)	105 (4.13)	20 (44)
	ASME B16.5 CL 900	244 (9.61)	400 (15.75)					
	ASME B16.5 CL 1500	244 (9.61)	400 (15.75)					
	ASME B16.5 CL 2500	266 (10.47)	450 (17.72)					

Tolerance L: DN 25 ... 100 +0 / -3 mm (+0 / -0.018 inch)

DN	Process connection	Dimensions [mm (inch)]						Approx. weight [kg (lb)]
		D	L <sup>1)2)</sup>	F <sup>4)</sup>	C	E <sup>3)</sup>	A	
80 (3")	ASME B16.5 CL 600	209 (8.23)	340 (13.39)	316 (12.44)	91 (3.58)	249 (9.80)	105 (4.13)	25 (55)
	ASME B16.5 CL 900	241 (9.49)	400 (15.75)					
	ASME B16.5 CL 1500	266 (10.47)	400 (15.75)					
	ASME B16.5 CL 2500	305 (12.01)	500 (19.68)					
100 (4")	ASME B16.5 CL 600	273 (10.75)	400 (15.75)	331 (13.03)	91 (3.58)	249 (9.80)	109 (4.29)	46 (101)
	ASME B16.5 CL 900	292 (11.50)	400 (15.75)					
	ASME B16.5 CL 1500	311 (12.24)	420 (16.54)					
	ASME B16.5 CL 2500	355 (13.98)	600 (23.62)					
125 (5")	ASME B16.5 CL 600	330 (12.99)	400 (15.75)	344 (13.54)	116 (4.57)	277 (10.91)	109 (4.29)	
	ASME B16.5 CL 900	349 (13.74)	450 (17.72)					
	ASME B16.5 CL 1500	374 (14.72)	500 (19.68)					
	ASME B16.5 CL 2500	419 (16.50)	700 (27.56)					
150 (6")	ASME B16.5 CL 600	355 (13.98)	450 (17.72)	385 (15.16)	136 (5.35)	318 (12.52)	143 (5.63)	
	ASME B16.5 CL 900	381 (15.00)	500 (19.68)					
	ASME B16.5 CL 1500	393 (15.47)	600 (23.62)					
	ASME B16.5 CL 2500	482 (18.98)	800 (31.50)					
200 (8")	ASME B16.5 CL 600	419 (16.50)	500 (19.69)	411 (16.18)	162 (6.38)	344 (13.54)	175 (6.89)	
	ASME B16.5 CL 900	470 (18.50)	600 (23.62)					
	ASME B16.5 CL 1500	482 (18.98)	700 (27.56)					
	ASME B16.5 CL 2500	552 (21.73)	950 (37.40)					
250 (10")	ASME B16.5 CL 600	508 (20.00)	500 (19.68)	440 (17.32)	191 (7.52)	373 (14.68)	208 (8.19)	
	ASME B16.5 CL 900	546 (21.50)	700 (27.56)					
	ASME B16.5 CL 1500	584 (22.99)	850 (33.46)					
	ASME B16.5 CL 2500	673 (26.50)	1200 (47.25)					
300 (12")	ASME B16.5 CL 600	559 (22.01)	750 (29.53)	457 (17.99)	209 (8.23)	390 (15.35)	243 (9.57)	
	ASME B16.5 CL 900	609 (23.98)	800 (31.50)					
	ASME B16.5 CL 1500	673 (26.50)	950 (37.40)					
	ASME B16.5 CL 2500	762 (30.00)	1400 (55.12)					

Tolerance L: DN 25 ... 100 +0 / -3 mm (+0 / -0.018 inch), DN 150 ... 200 +0 / -3 mm (+0 / -0.118 inch),  
DN 250 ... 400 +0 / -5 mm (+0 / -0.197 inch)

DN	Process connection	Dimensions [mm (inch)]						Approx. weight [kg (lb)]
		D	L <sup>1) 2)</sup>	F <sup>4)</sup>	C	E <sup>3)</sup>	A	
350 (14")	ASME B16.5 CL 600	603 (23.74)	750 (29.61)	501 (19.72)	221 (8.70)	434 (17.09)	271 (10.67)	
	ASME B16.5 CL 900	641 (25.24)	850 (33.46)					
	ASME B16.5 CL 1500	749 (29.49)	1050 (41.34)					
400 (16")	ASME B16.5 CL 600	686 (27.01)	800 (31.50)	501 (19.72)	258 (10.16)	434 (17.09)	291 (11.46)	
	ASME B16.5 CL 900	705 (27.76)	900 (35.43)					
	ASME B16.5 CL 1500	825 (32.48)	1100 (43.31)					

Tolerance L: DN 25 ... 100 +0 / -3 mm (+0 / -0.018 inch), DN 150 ... 200 +0 / -3 mm (+0 / -0.118 inch),  
DN 250 ... 400 +0 / -5 mm (+0 / -0.197 inch)

- 1) If a grounding plate is installed (attached to one side of the flange), this increases dimension L as follows: DN 3 ... 100 by 3 mm (0.118 inch); DN 125 by 5 mm (0.197 inch).
- 2) If protection plates are installed (attached to both sides of the flange), this increases dimension L as follows: DN 3 ... 100 by 6 mm (0.236 inch); DN 125 by 10 mm (0.394 inch).
- 3) Depending on the device design, the dimensions change according to the following table.

Device design		Dimension E, F	Dimension G
Without explosion protection	Standard sensor design	0	0
	High-temperature sensor design	+127 mm (+5 inch)	+127 mm (+5 inch)
Explosion protection Zone 1, Div. 1	Standard sensor design	+74 mm (+2.91 inch)	+47 mm (+1.85 inch)
	High-temperature sensor design	+127 mm (+5 inch)	+174 mm (+6.85 inch)
Explosion protection Zone 2, Div. 2	Standard sensor design	0	0
	High-temperature sensor design	+127 mm (+5 inch)	+127 mm (+5 inch)

### Dimensions for transmitter

#### Model FET321 and FET325 (dual-compartment housing) for Ex zone 2 / Div 2

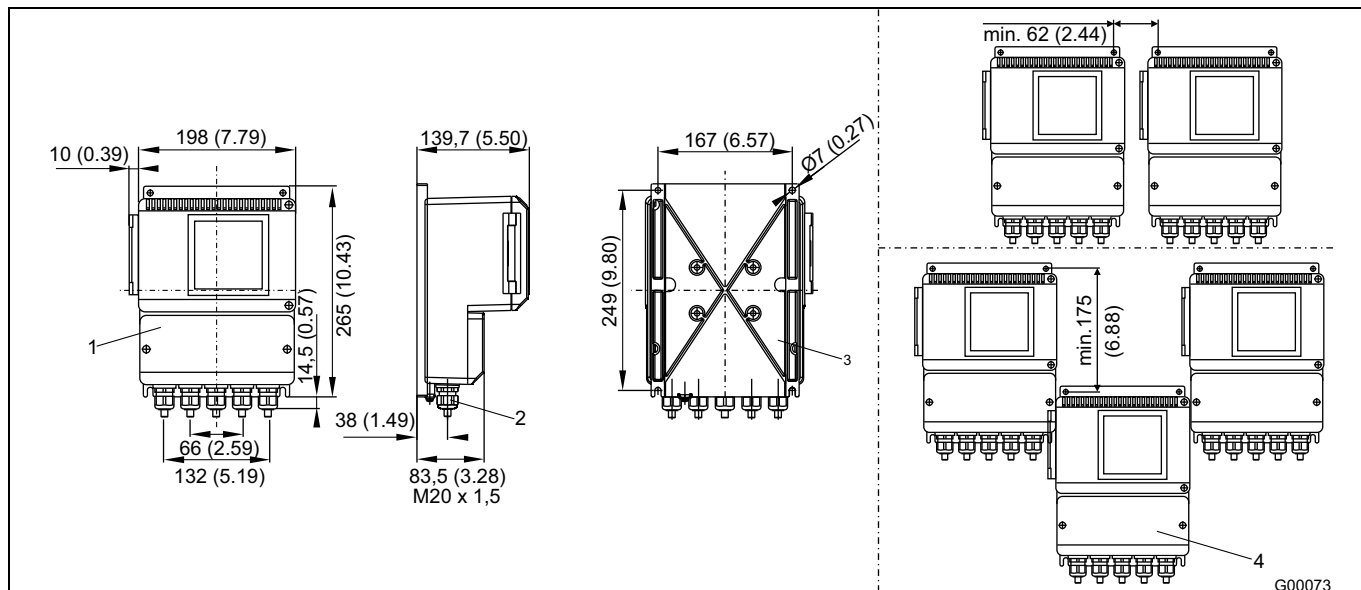


Fig. 44: Dimensions in mm (inch)

- 1 Field-mount housing with window
- 2 Cable gland M20 x 1.5
- 3 Installation holes for pipe mounting set, for 2" pipe installation
- 4 Protection class IP 67

#### Model FET325 (dual-compartment housing) for Ex zone 1 / Div 1

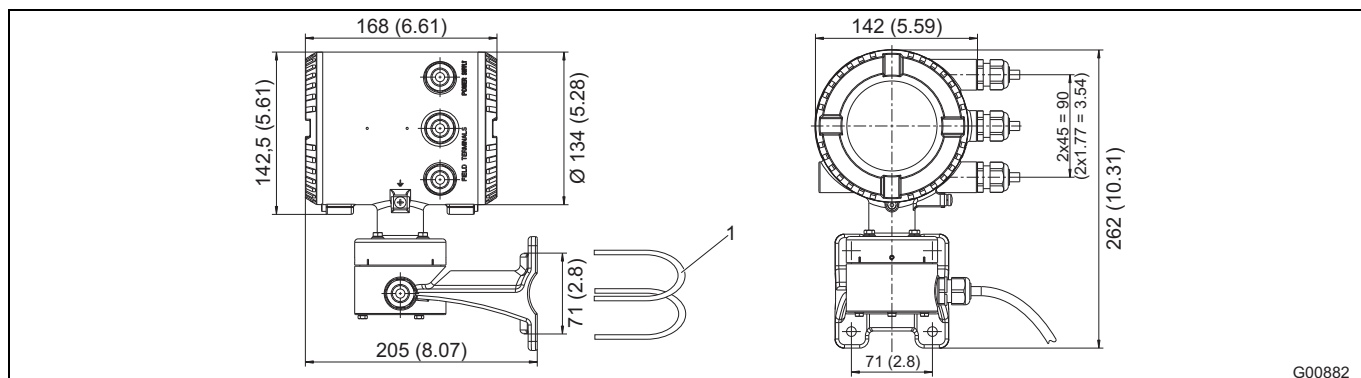


Fig. 45: Dimensions in mm (inch)

- 1 2" Pipe mounting kit included (material: zinc plated carbon steel)

#### Model FET321 (single-compartment housing)

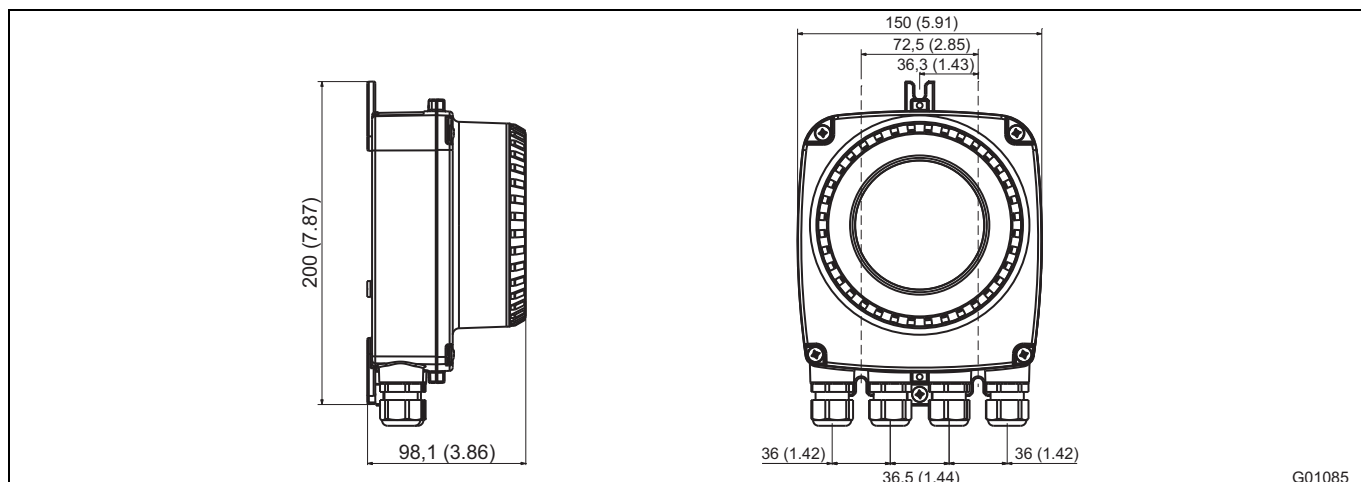


Fig. 46: Dimensions in mm (inch)



**Ordering information**

**Electromagnetic flowmeter ProcessMaster - FEP311 and FEP315 , integral mount design**

Version number	Main order number																												Add. order no.
	1 - 6	7	8	9	10	11	12	13	14	15	16	17	18	19	20	21	22	23	24	25	26	27	28						
<b>Without explosion protection</b>	<b>FEP311</b>	X	X	X	X	X	X	X	X	X	X	X	X	X	X	X	X	X	X	X	X	X	X	X	X	X	XX		
<b>With explosion protection</b>	<b>FEP315</b>	X	X	X	X	X	X	X	X	X	X	X	X	X	X	X	X	X	X	X	X	X	X	X	X	X	XX		
<b>Nominal diameter</b>																													
DN 3 (1/10 in.)		0	0	3																									
DN 4 (5/32 in.)		0	0	4																									
DN 6 (1/4 in.)		0	0	6																									
DN 8 (5/16 in.)		0	0	8																									
DN 10 (3/8 in.)		0	1	0																									
DN 15 (1/2 in.)		0	1	5																									
DN 20 (3/4 in.)		0	2	0																									
DN 25 (1 in.)		0	2	5																									
DN 32 (1-1/4 in.)		0	3	2																									
DN 40 (1-1/2 in.)		0	4	0																									
DN 50 (2 in.)		0	5	0																									
DN 65 (2-1/2 in.)		0	6	5																									
DN 80 (3 in.)		0	8	0																									
DN 100 (4 in.)		1	0	0																									
DN 125 (5 in.)		1	2	5																									
DN 150 (6 in.)		1	5	0																									
DN 200 (8 in.)		2	0	0																									
DN 250 (10 in.)		2	5	0																									
DN 300 (12 in.)		3	0	0																									
DN 350 (14 in.)		3	5	0																									
DN 400 (16 in.)		4	0	0																									
DN 450 (18 in.)		4	5	0																									
DN 500 (20 in.)		5	0	0																									
DN 550 (22 in.)	1)	5	5	0																									
DN 600 (24 in.)		6	0	0																									
DN 650 (26 in.)	1)	6	5	0																									
DN 700 (28 in.)		7	0	0																									
DN 760 (30 in.)		7	6	0																									
DN 800 (32 in.)		8	0	0																									
DN 900 (36 in.)		9	0	0																									
DN 1000 (40 in.)		0	0	1																									
DN 1050 (42 in.)		0	5	1																									
DN 1100 (44 in.)		1	0	1																									
DN 1200 (48 in.)		2	0	1																									
DN 1400 (54 in.)		4	0	1																									
DN 1500 (60 in.)		5	0	1																									
DN 1600 (66 in.)		6	0	1																									
DN 1800 (72 in.)		8	0	1																									
DN 2000 (80 in.)		0	0	2																									
<b>Lining material</b>																													
PTFE																												A	
ETFE																												E	
Thick PTFE																												F	
Hard rubber																												H	
Linatex					2)																							J	
PFA																												P	
Soft rubber																												S	
<b>Electrode design</b>																													
Standard																												1	
Standard + full filling electrode (TFE)					3)																							2	
Pointed head																												5	
Pointed head + full filling electrode (TFE)					3)																							6	

Continued on next page

- 1) Available with JIS-Flanges.
- 2) For US production only, model FEP315, FEP325 (Certificate: without PED, Process Connection: ASME CI 150 / 300, Installation length: ASME CL 150, US-compliant length).
- 2) TFE electrode for detecting partially filled tubes, available from DN 50 (2 in.) with sensor design level "B". Not available for Zone 1 / Div 1.

Continued

Version number	Main order number																												Add. order no.
	1-6	7	8	9	10	11	12	13	14	15	16	17	18	19	20	21	22	23	24	25	26	27	28						
<b>Without explosion protection</b>	<b>FEP311</b>	X	X	X	X	X	X	X	X	X	X	X	X	X	X	X	X	X	X	X	X	X	X	X	X	X	X	XX	
<b>With explosion protection</b>	<b>FEP315</b>	X	X	X	X	X	X	X	X	X	X	X	X	X	X	X	X	X	X	X	X	X	X	X	X	X	X	XX	
<b>Signal electrode material</b>																													
Stainless steel 1.4539 (904)							A																						
Hastelloy C-4 (2.4610)							D																						
Titanium							F																						
Tantalum							G																						
Hastelloy B-3 (2.4600)							H																						
Platinum-iridium							J																						
Stainless steel 1.4571 (316Ti)							S																						
<b>Grounding accessories</b>																													
Standard								1																					
Grounding electrodes (for material, refer to "Signal electrode material")								2																					
Grounding plate made of stainless steel, attached to one side of the flange						4)		3																					
Protection plate made of stainless steel, attached to both sides of the flange						4)		4																					
<b>Process connection</b>																													
Flange DIN PN 6								5)	D	0																			
Flange DIN PN 10									D	1																			
Flange DIN PN 16									<b>D</b>	<b>2</b>																			
Flange DIN PN 25									D	3																			
Flange DIN PN 40									D	4																			
Flange DIN PN 64								6)	D	5																			
Flange DIN PN 100								6)	D	6																			
Flange, ASME CL 150								7)	A	1																			
Flange, ASME CL 300								7)	A	3																			
Flange, JIS 10K									J	1																			
Flange, JIS 5K									J	2																			
Flange, JIS 20K									J	3																			
Flange, AS2129 table E								8)	E	4																			
Flange, AS2129 table D								8)	E	5																			
<b>Process connection material</b>																													
Steel											<b>B</b>																		
Stainless steel flange								9)	D																				
<b>Certificates</b>																													
Meter tube with PED approval											<b>0</b>																		
Meter tube without PED approval (only China and US production sites. Specify installation length J1, J3 or JN)											1																		
Acceptance test certificate (3.1) to EN 10204											2																		
Pressure test to AD-2000											3																		
Material certificate 3.1 to EN 10204 and pressure test to AD-2000											4																		
<b>Calibration</b>																													
Standard accuracy										10)	<b>A</b>																		
Increased accuracy										12)	<b>B</b>																		
Standard accuracy + ScanMaster function										10)	<b>K</b>																		
Increased accuracy + ScanMaster function										11)	<b>L</b>																		
Witnessed factory calibration										12)	<b>M</b>																		
5-point DKD calibration										13)	<b>T</b>																		

Continued on next page

- 4) Can only be used for sensors ≤ DN 600 (24 in) and PTFE / thick PTFE / ETFE / PFA linings. Material: See data sheet.
- 5) Available from DN 1000 (40 in.)
- 6) DN 15 ... DN 200 (1/2 ... 8 in.) Hard rubber.
- 7) Flange DN 15 ... 600 according to ASME B16.5. Flange > DN 600 according to ASME 16.47 Serie B.
- 8) Upon request
- 9) Material: See data sheet
- 10) Standard accuracy (0.4% of rate) assumes 2 calibration points. If more than 2 calibration points are required, you must specify 3 or 5 points under "Number of test points"
- 11) Increased accuracy (0.2% of rate) assumes 3 calibration points. If more than 3 calibration points are required, you must specify 5 points under "Number of test points". Available for DN10 (3/8 in.) ... 800 (32 in.)
- 12) 3rd party witnessed calibration
- 13) Available for nominal diameters DN 50 (2 in.) ... 600 (24 in.), DN 800 (32 in.)

Continued

Version number	Main order number																												Add. order no.												
	1-6	7	8	9	10	11	12	13	14	15	16	17	18	19	20	21	22	23	24	25	26	27	28																		
<b>Without explosion protection</b>	<b>FEP311</b>	X	X	X	X	X	X	X	X	X	X	X	X	X	X	X	X	X	X	X	X	X	X	X	X	X	X	X	XX												
<b>With explosion protection</b>	<b>FEP315</b>	X	X	X	X	X	X	X	X	X	X	X	X	X	X	X	X	X	X	X	X	X	X	X	X	X	X	X	XX												
<b>Sensor temperature range / Ambient temperature range</b>																																									
Standard sensor design / -20 ... 60 °C (-4 ... 140 °F)														14)	1																										
Standard sensor design / -40 ... 60 °C (-40 ... 140 °F)														14)	2																										
High-temperature sensor design / -20 ... 60 °C (-4 ... 140 °F)														15)	3																										
High-temperature sensor design / -40 ... 60 °C (-40 ... 140 °F)														15)	4																										
<b>Name plate</b>																																									
Sticker															A																										
Stainless steel															B																										
Stainless steel, and TAG label stainless steel															C																										
Sticker, chinese language														19)	S																										
Stainless steel, chinese language														19)	T																										
Stainless steel, and TAG label stainless steel, chinese language														19)	U																										
<b>Signal cable length</b>																																									
No cable															0																										
<b>Explosion protection</b>																																									
None														16)	A																										
ATEX / IEC Zone 1 / 21															L																										
ATEX / IEC Zone 2 / 21															M																										
usFMc Div 2 Zone 2															P																										
usFMc Div 1														17)	R																										
NEPSI Zone1														18)	U																										
NEPSI Zone2														18)	V																										
<b>Protection type for transmitter / sensor</b>																																									
Standard / IP67 (NEMA 4X)														18)	1																										
Other															9																										
<b>Cable gland</b>																																									
M20 x 1.5															A																										
1/2 in. NPT															B																										
PF 1/2 in.														15)	C																										
<b>Power supply</b>																																									
100 ... 230 V AC, 50 Hz																																						1			
24 V AC / DC, 50 Hz																																								2	
100 ... 230 V AC, 60 Hz																																								3	
24 V AC / DC, 60 Hz																																								4	
<b>Signal inputs and outputs</b>																																									
HART + 20 mA passive + pulses + contact input / output															19)																								B		
HART + 20 mA active + pulses + contact input / output															20)																									C	
HART + 20 mA active + pulses + contact output															21)																									D	
PROFIBUS PA + contact output																																								E	
FOUNDATION Fieldbus + contact output																																								F	
<b>Default settings / Diagnostics</b>																																									
Parameters are at factory settings / Standard																																						1			
Parameters are set according to customer specifications / Standard																																							3		
<b>Design Level</b>																																									
Sensordesign Level B																																						26)	B		
Sensordesign Level C																																								26)	C

Continued on next page

- 14) Maximum fluid temperature for standard sensor design: 130 °C with PTFE, PFA, ETFE, thick PTFE, 90 °C (80 °C for China production site) with hard rubber, 60 °C with soft rubber, 70 °C with Linatex, -40 °C only in conjunction with stainless steel flange.
- 15) Maximum fluid temperature for high-temperature sensor design: 180 °C with PFA, thick PTFE. 130 °C with ETFE, PTFE. Thick PTFE available for DN 25 ... DN 300, PFA available for DN 10 ... DN 200. -40 °C only in conjunction with stainless steel flange.
- 16) Only with model FEP311.
- 17) Div 1 available up to DN 300 (12 in.).
- 18) Production site: China.
- 19) Transmitter degree of protection = IP67 (NEMA 4X) with single-compartment and dual-compartment housing
- 20) Available with Ex design Zone 2 / Div 2 or Zone 1 / Div1.
- 21) Available with Ex design Zone 2 / Div 2.
- 22) Available with Ex design Zone 1 / Div 1.
- 23) Specified by ABB. Sensordesign Level C with model FEP311 only

## Continued

Version number	Main order number																												Add. order no.
	1 – 6	7	8	9	10	11	12	13	14	15	16	17	18	19	20	21	22	23	24	25	26	27	28						
<b>Without explosion protection</b>	<b>FEP311</b>	X	X	X	X	X	X	X	X	X	X	X	X	X	X	X	X	X	X	X	X	X	X	X	X	X	X	X	<b>XX</b>
<b>With explosion protection</b>	<b>FEP315</b>	X	X	X	X	X	X	X	X	X	X	X	X	X	X	X	X	X	X	X	X	X	X	X	X	X	X	X	<b>XX</b>
<b>Accessories</b>																													
None																												AY	
<b>Plug connector</b>																													
M12 x 1 fieldbus																												24)	U2
<b>Transmitter housing design</b>																													
Single-compartment housing / Aluminium																												25)	H1
Dual-compartment housing / Aluminium																													H2
<b>Lay Length</b>																													
Flanges, ASME CL 150, ISO-compliant installation length																													JA
Flanges, ASME CL 300, ISO-compliant installation length																													JC
Flanges (Chinese installation length) (production site: China. Certificate: Without PED approval)																												26)	JN
<b>Sensor housing material</b>																													
Aluminium / Carbon steel																													SMA
<b>Additional certificates</b>																													
Russia, metrological and GOST R certificate																													CG1
Kazakhstan, metrological and GOST K certificate																													CG2
Ukraine, metrological certificate																													CG3
Belarus, metrological certificate																													CG6
<b>Additional Ex certificates and approvals</b>																													
Russia, GOST-Ex and RTN certificate																													EG7
Kazakhstan, Ex applications certificate																													EG3
Ukraine, GOST Ex and Ex application certificate																													EG5
Belarus, GGTN certificate																													EG9
Inmetro (Brazil)																												27)	EB1
<b>Number of test points</b>																													
3 points																													T3
5 points																													T5
<b>Language of documentation</b>																													
German																													M1
English																													M5
Chinese																													M6
Russian																													MB
Western Europe / Scandinavia language package (languages: DE, EN, DA, ES, FR, IT, NL, PT, FI, SV)																													MW
Eastern Europe language package (languages: DE, EL, CS, ET, LV, LT, HU, PL, SK, SL, RO, BG)																													ME
<b>Shipping Register Certificates</b>																													
Marine class approval (DNV)																													CL5
<b>SIL2 - Declaration of Conformity</b>																													
SIL2 - Declaration of Conformity																													CS

24) Only for PROFIBUS PA Not for model FEP315

25) Not available with Ex design Zone 1

26) To be coded in case of FM approval only.

27) Inmetro only in conjunction with explosion protection ATEX / IECEx Zone 1 (code "L") or ATEX / IECEx Zone 2/21 (code "M") and transmitter housing design "dual-compartment housing " (code H2).

Electromagnetic flowmeter ProcessMaster - FEP321 and FEP325, remote mount design

Version number	Main order number																												Add. order no.
	1 - 6	7	8	9	10	11	12	13	14	15	16	17	18	19	20	21	22	23	24	25	26	27	28						
<b>Without explosion protection</b>	<b>FEP321</b>	X	X	X	X	X	X	X	X	X	X	X	X	X	X	X	X	X	X	X	X	X	X	X	X	X	XX		
<b>With explosion protection</b>	<b>FEP325</b>	X	X	X	X	X	X	X	X	X	X	X	X	X	X	X	X	X	X	X	X	X	X	X	X	X	XX		
<b>Nominal diameter</b>																													
DN 3 (1/10 in.)		0	0	3																									
DN 4 (5/32 in.)		0	0	4																									
DN 6 (1/4 in.)		0	0	6																									
DN 8 (5/16 in.)		0	0	8																									
DN 10 (3/8 in.)		0	1	0																									
DN 15 (1/2 in.)		0	1	5																									
DN 20 (3/4 in.)		0	2	0																									
DN 25 (1 in.)		0	2	5																									
DN 32 (1-1/4 in.)		0	3	2																									
DN 40 (1-1/2 in.)		0	4	0																									
DN 50 (2 in.)		0	5	0																									
DN 65 (2-1/2 in.)		0	6	5																									
DN 80 (3 in.)		0	8	0																									
DN 100 (4 in.)		1	0	0																									
DN 125 (5 in.)		1	2	5																									
DN 150 (6 in.)		1	5	0																									
DN 200 (8 in.)		2	0	0																									
DN 250 (10 in.)		2	5	0																									
DN 300 (12 in.)		3	0	0																									
DN 350 (14 in.)		3	5	0																									
DN 400 (16 in.)		4	0	0																									
DN 450 (18 in.)		4	5	0																									
DN 500 (20 in.)		5	0	0																									
DN 550 (22 in.)	1)	5	5	0																									
DN 600 (24 in.)		6	0	0																									
DN 650 (26 in.)	1)	6	5	0																									
DN 700 (28 in.)		7	0	0																									
DN 760 (30 in.)		7	6	0																									
DN 800 (32 in.)		8	0	0																									
DN 900 (36 in.)		9	0	0																									
DN 1000 (40 in.)		0	0	1																									
DN 1050 (42 in.)		0	5	1																									
DN 1100 (44 in.)		1	0	1																									
DN 1200 (48 in.)		2	0	1																									
DN 1400 (54 in.)		4	0	1																									
DN 1500 (60 in.)		5	0	1																									
DN 1600 (66 in.)		6	0	1																									
DN 1800 (72 in.)		8	0	1																									
DN 2000 (80 in.)		0	0	2																									
<b>Lining material</b>																													
PTFE																												A	
ETFE																												E	
Thick PTFE																												F	
Hard rubber																												H	
Linatex					2)																							J	
PFA																												P	
Soft rubber																												S	
<b>Electrode design</b>																													
Standard																												1	
Standard + full filling electrode (TFE)					3)																							2	
Pointed head																												5	
Pointed head + full filling electrode (TFE)					3)																							6	

Continued on next page

- 1) Available with JIS flanges.
- 2) Upon request: Available with model FEP321 DN 50 ... 600 (2 ... 24 in.)
- 3) TFE electrode for detecting partially filled tubes, available from DN 50 (2 in.) with sensor design level "B". Not available for Zone 1 / Div 1.

Continued

Version number	Main order number																												Add. order no.		
	1-6	7	8	9	10	11	12	13	14	15	16	17	18	19	20	21	22	23	24	25	26	27	28								
<b>Without explosion protection</b>	<b>FEP321</b>	X	X	X	X	X	X	X	X	X	X	X	X	X	X	X	X	X	X	X	X	X	X	X	X	X	X	X	XX		
<b>With explosion protection</b>	<b>FEP325</b>	X	X	X	X	X	X	X	X	X	X	X	X	X	X	X	X	X	X	X	X	X	X	X	X	X	X	X	XX		
<b>Signal electrode material</b>																															
Stainless steel 1.4539 (904)						A																									
Hastelloy C-4 (2.4610)						D																									
Titanium						F																									
Tantalum						G																									
Hastelloy B-3 (2.4600)						H																									
Platinum-iridium						J																									
Stainless steel 1.4571 (316Ti)						S																									
Tungsten carbide coated						T																									
<b>Grounding accessories</b>																															
Standard						1																									
Grounding electrodes (for material, refer to "Signal electrode material")						2																									
Grounding plate made of stainless steel, attached to one side of the flange						4) 3																									
Protection plate made of stainless steel, attached to both sides of the flange						4) 4																									
<b>Process connection</b>																															
Flange DIN PN 6						5) D 0																									
Flange DIN PN 10						D 1																									
Flange DIN PN 16						D 2																									
Flange DIN PN 25						D 3																									
Flange DIN PN 40						D 4																									
Flange DIN PN 64						6) D 5																									
Flange DIN PN 100						6) D 6																									
Flange, ASME CL 150						7) A 1																									
Flange, ASME CL 300						7) A 3																									
Flange, JIS 10K						J 1																									
Flange, JIS 5K						8) J 2																									
Flange, JIS 20K						8) J 3																									
Flange, AS2129 table E						8) E 4																									
Flange, AS2129 table D						8) E 5																									
<b>Process connection material</b>																															
Steel																													B		
Stainless steel flange						9) D																									
<b>Certificates</b>																															
Meter tube with PED approval																													0		
Meter tube without PED approval (only China and US production sites.)																														1	
Specify installation length J1, J3 or JN)																															
Acceptance test certificate (3.1) to EN 10204																														2	
Pressure test																														3	
Material certificate 3.1 to EN 10204 and pressure test																														4	
<b>Calibration</b>																															
Standard accuracy																													10) A		
Increased accuracy																														11) B	
Standard accuracy + ScanMaster function																														10) K	
Increased accuracy + ScanMaster function																															11) L
Witnessed factory calibration																														12) M	
5-point DKD calibration																														13) T	

Continued on next page

- 4) Can only be used for sensors ≤ DN 600 (24 in) and PTFE / thick PTFE / ETFE / PFA linings. Material: See data sheet. For Hard rubber, Soft rubber and Linatex please use loose grounding rings.
- 5) Available from DN 1000 (40 in.)
- 6) DN 15 ... DN 200 (1/2 ... 8 in.) Hard rubber
- 7) Flange DN 15 ... 600 according to ASME B16.5. Flange > DN 600 according to ASME 16.47 Series B
- 8) Upon request
- 9) Material: See data sheet
- 10) Standard accuracy (0.4% of rate) assumes 2 calibration points. If more than 2 calibration points are required, you must specify 3 or 5 points under "Number of test points"
- 11) Increased accuracy (0.2% of rate) assumes 3 calibration points. If more than 3 calibration points are required, you must specify 5 points under "Number of test points". Available for DN10 (3/8 in.) ... 800 (32 in.)
- 12) 3rd party witnessed calibration
- 13) Available for nominal diameters DN 50 (2 in.) ... 600 (24 in.), DN 800 (32 in.)

Continued

Version number	Main order number																							Add. order no.													
	1-6	7	8	9	10	11	12	13	14	15	16	17	18	19	20	21	22	23	24	25	26	27	28														
<b>Without explosion protection</b>	<b>FEP321</b>	X	X	X	X	X	X	X	X	X	X	X	X	X	X	X	X	X	X	X	X	X	X	XX													
<b>With explosion protection</b>	<b>FEP325</b>	X	X	X	X	X	X	X	X	X	X	X	X	X	X	X	X	X	X	X	X	X	X	XX													
<b>Sensor temperature range / Ambient temperature range</b>																																					
Standard sensor design / -20 ... 60 °C (-4 ... 140 °F)														14)	1																						
Standard sensor design / -40 ... 60 °C (-40 ... 140 °F)														14)	2																						
High-temperature sensor design / -20 ... 60 °C (-4 ... 140 °F)														15)	3																						
High-temperature sensor design / -40 ... 60 °C (-40 ... 140 °F)														15)	4																						
<b>Name plate</b>																																					
Sticker															A																						
Stainless steel															B																						
Stainless steel, and TAG label stainless steel															C																						
Sticker, chinese language														19)	S																						
Stainless steel, chinese language														19)	T																						
Stainless steel, and TAG label stainless steel, chinese language														19)	U																						
<b>Signal cable length</b>																																					
No cable														16)	0																						
5 m (approx. 15 ft.) standard cable															1																						
10 m (approx. 30 ft.) standard cable															2																						
20 m (approx. 60 ft.) standard cable															3																						
30 m (approx. 100 ft.) standard cable															4																						
50 m (approx. 165 ft.) standard cable															5																						
80 m (approx. 260 ft.) standard cable															6																						
100 m (approx. 325 ft.) standard cable															7																						
150 m (approx. 490 ft.) standard cable															8																						
<b>Explosion protection</b>																																					
None														17)	A																						
ATEX / IEC Zone 1															L																						
ATEX / IEC Zone 2 / 21															M																						
usFMc Div 2 Zone 2															P																						
usFMc Div 1														18)	R																						
NEPSI Zone1														19)	U																						
NEPSI Zone2														19)	V																						
<b>Protection type for transmitter / sensor</b>																																					
Standard / IP 67 (NEMA 4X)														20)	1																						
Standard / IP 68 (NEMA 6P)														20) 21)	2																						
Standard / IP 68 (NEMA 6P), signal cable fitted and potted														20) 22)	3																						
<b>Cable gland</b>																																					
M20 x 1.5															A																						
1/2 in. NPT															B																						
PF 1/2 in.															C																						
<b>Power supply</b>																																					
None															0																						
<b>Signal inputs and outputs</b>																																					
None														17)	Y																						
<b>Default settings / Diagnostics</b>																																					
Parameters are at factory settings / Standard diagnostic functions activated															1																						
Parameters are set according to customer specifications / Standard diagnostic functions activated															3																						

Continued on next page

- 14) Maximum fluid temperature for standard sensor design: 130 °C with PTFE, PFA, ETFE, thick PTFE, 90 °C (80 °C for China production site) with hard rubber, 60 °C with soft rubber, 70 °C with Linatex, -40 °C only in conjunction with stainless steel flange.
- 15) Maximum fluid temperature for high-temperature sensor design: 180 °C with PFA, thick PTFE. 130 °C with ETFE, PTFE. Thick PTFE available for DN 25 ... DN 300, PFA available for DN 10 ... DN 200. -40 °C only in conjunction with stainless steel flange.
- 16) For flowmeter sensor model FEP325 designed for zone 1 / Div 1, signal cable length can be max. 50 m (164 ft) in combination with transmitter model FET321 or transmitter model FET 325 designed for zone 2 / Div 2. For sensor model FEP325 designed for zone 1 / Div 1, signal cable length can be max. 10 m (32.8 ft) in combination with transmitter model FET325 designed for zone 1 / Div 1.
- 17) Model FEP321 only.
- 18) Div 1 available up to DN 300 (12 in.).
- 19) Production site: China.
- 20) Transmitter degree of protection = IP67 (NEMA 4X) with single-compartment and dual-compartment housing.
- 21) Only with external transmitter, sealing compound (optional) D141B038U01.
- 22) Not available with FET325 transmitter in zone 1 / Div1 design.

## Continued

Version number	Main order number																												Add. order no.	
	1	2	3	4	5	6	7	8	9	10	11	12	13	14	15	16	17	18	19	20	21	22	23	24	25	26	27	28		
<b>Without explosion protection</b>	<b>FEP321</b>	X	X	X	X	X	X	X	X	X	X	X	X	X	X	X	X	X	X	X	X	X	X	X	X	X	X	X	<b>X</b>	<b>XX</b>
<b>With explosion protection</b>	<b>FEP325</b>	X	X	X	X	X	X	X	X	X	X	X	X	X	X	X	X	X	X	X	X	X	X	X	X	X	X	X	<b>X</b>	<b>XX</b>
<b>Design Level</b>																														
Sensor design Level B																												23) B		
Sensor design Level C																												23) C		
<b>Accessories</b>																														
None																												AY		
With preamplifier, integrated into sensor housing																												24) AP		
<b>Lay length</b>																														
Flanges, ASME CL 150, ISO-compliant installation length																												JA		
Flanges, ASME CL 300, ISO-compliant installation length																												JC		
Flanges (Chinese installation length) (production site: China. Certificate: Without PED approval)																												25) JN		
<b>Connection box material</b>																														
Aluminum																												UTA		
<b>Sensor housing material</b>																														
Aluminium / Carbon steel																												SMA		
<b>Power frequency</b>																														
50 Hz (When ordering the sensor without a transmitter, specify the mains frequency.)																												F5		
60 Hz (When ordering the sensor without a transmitter, specify the mains frequency.)																												F6		
<b>Additional certificates</b>																														
Russia, metrological and GOST R certificate																												CG1		
Kazakhstan, metrological and GOST K certificate																												CG2		
Ukraine, metrological certificate																												CG3		
Belarus, metrological certificate																												CG6		
<b>Additional Ex certificates and approvals</b>																														
Russia, GOST-Ex and RTN certificate																												EG7		
Kazakhstan, Ex applications certificate																												EG3		
Ukraine, GOST Ex and Ex application certificate																												EG5		
Belarus, GGTN certificate																												EG9		
Inmetro (Brazil)																												26) EB1		
<b>Number of test points</b>																														
3 points																												T3		
5 points																												T5		
<b>Language of documentation</b>																														
German																												M1		
English																												M5		
Chinese																												M6		
Russian																												MB		
Western Europe / Scandinavia language package (languages: DE, EN, DA, ES, FR, IT, NL, PT, FI, SV)																												MW		
Eastern Europe language package (languages: DE, EL, CS, ET, LV, LT, HU, PL, SK, SL, RO, BG)																												ME		
<b>Shipping Register Certificates</b>																														
Marine class approval (DNV)																												CL5		
<b>SIL2 - Declaration of Conformity</b>																														
SIL2 - Declaration of Conformity																												CS		

23) Specified by ABB. Sensor design Level C with model FEP321 only.

24) Preamplifier required if signal cable length is > 50 m (>160 ft). Preamplifier not available for zone1 / Div1.

25) To be coded in case of FM approval only.

26) Inmetro only in conjunction with explosion protection ATEX / IECEx Zone 1 (code "L") or ATEX / IECEx Zone 2/21 (code "M").



**Electromagnetic flowmeter ProcessMaster - FEP311 and FEP315, integral mount design, high pressure version**

Version number	Main order number																												Add. order no.
	1 - 6	7	8	9	10	11	12	13	14	15	16	17	18	19	20	21	22	23	24	25	26	27	28						
<b>Without explosion protection</b>	FEP311	X	X	X	X	X	X	X	X	X	X	X	X	X	X	X	X	X	X	X	X	X	X	X	X	X	X	XX	
<b>With explosion protection</b>	FEP315	X	X	X	X	X	X	X	X	X	X	X	X	X	X	X	X	X	X	X	X	X	X	X	X	X	X	XX	
<b>Nominal diameter</b>																													
DN 25 (1 in.)			0	2	5																								
DN 32 (1-1/4 in.)			0	3	2																								
DN 40 (1-1/2 in.)			0	4	0																								
DN 50 (2 in.)			0	5	0																								
DN 65 (2-1/2 in.)			0	6	5																								
DN 80 (3 in.)			0	8	0																								
DN 100 (4 in.)			1	0	0																								
DN 125 (5 in.)			1	2	5																								
DN 150 (6 in.)			1	5	0																								
DN 200 (8 in.)			2	0	0																								
DN 250 (10 in.)			2	5	0																								
DN 300 (12 in.)			3	0	0																								
DN 350 (14 in.)			3	5	0																								
DN 400 (16 in.)			4	0	0																								
<b>Lining material</b>																													
ETFE																													
Hard rubber																													
<b>Electrode design</b>																													
Standard																													
Pointed head																													
<b>Signal electrode material</b>																													
Hastelloy C-4 (2.4610)																													
Stainless steel 1.4571 (316Ti)																													
<b>Grounding accessories</b>																													
Standard																													
<b>Process connection</b>																													
Flange ASME CL 600																													
Flange ASME CL 900																													
Flange ASME CL 1500																													
Flange ASME CL 2500																													
Flange ASME CL 600 RTJ																													
Flange ASME CL 900 RTJ																													
Flange ASME CL 1500 RTJ																													
Flange ASME CL 2500 RTJ																													
<b>Process connection material</b>																													
Steel																													
Stainless steel flange																													
<b>Certificates</b>																													
Meter tube with PED approval																													
<b>Calibration</b>																													
Standard accuracy																													
Increased accuracy																													
Standard accuracy + ScanMaster function																													
Increased accuracy + ScanMaster function																													
Witnessed factory calibration																													

Continued on next page

- 1) Available up to DN 300 (12 in.)
- 2) Material: See data sheet
- 3) Standard accuracy (0.4% of rate) assumes 2 calibration points. If more than 2 calibration points are required, you must specify 3 or 5 points under "Number of test points"
- 4) Increased accuracy (0.2% of rate) assumes 3 calibration points. If more than 3 calibration points are required, you must specify 5 points under "Number of test points". Available for DN10 (3/8 in.) ... 800 (32 in.)
- 5) 3rd party witnessed calibration

Continued

Version number	Main order number																												Add. order no.																		
	1-6	7	8	9	10	11	12	13	14	15	16	17	18	19	20	21	22	23	24	25	26	27	28																								
<b>Without explosion protection</b>	<b>FEP311</b>	X	X	X	X	X	X	X	X	X	X	X	X	X	X	X	X	X	X	X	X	X	X	X	X	X	X	X	<b>XX</b>																		
<b>With explosion protection</b>	<b>FEP315</b>	X	X	X	X	X	X	X	X	X	X	X	X	X	X	X	X	X	X	X	X	X	X	X	X	X	X	X	<b>XX</b>																		
<b>Sensor temperature range / Ambient temperature range</b>																																															
Standard sensor design / -20 ... 60 °C (-4 ... 140 °F)																			6)	1																											
Standard sensor design / -40 ... 60 °C (-40 ... 140 °F)																			6)	2																											
<b>Name plate</b>																																															
Sticker																			A																												
Stainless steel																			B																												
Stainless steel, and TAG label stainless steel																			C																												
<b>Signal cable length</b>																																															
No cable																			0																												
<b>Explosion protection</b>																																															
None																			7)	8)	A																										
ATEX / IEC Zone 1 / 21																					L																										
ATEX / IEC Zone 2 / 21																					M																										
usFMc Div 2 Zone 2																					P																										
usFMc Div 1																			9)	R																											
<b>Protection type for transmitter / sensor</b>																																															
Standard / IP67 (NEMA 4X)																			10)	1																											
Other																				9																											
<b>Cable gland</b>																																															
M20 x 1.5																					A																										
1/2 in. NPT																					B																										
PF 1/2 in.																			8)	C																											
<b>Power supply</b>																																															
100 ... 230 V AC, 50 Hz																																												1			
24 V AC / DC, 50 Hz																																													2		
100 ... 230 V AC, 60 Hz																																													3		
24 V AC / DC, 60 Hz																																													4		
<b>Signal inputs and outputs</b>																																															
HART + 20 mA passive + pulses + contact input / output																																													11)	B	
HART + 20 mA active + pulses + contact input / output																																														12)	C
HART + 20 mA active + pulses + contact output																																														13)	D
PROFIBUS PA + contact output																																															E
FOUNDATION Fieldbus + contact output																																															F
<b>Default settings / Diagnostics</b>																																															
Parameters are at factory settings / Standard																																														1	
Parameters are set according to customer specifications / Standard																																															3
<b>Design-Level</b>																																															
Sensordesign Level B																																													14)	B	

Continued on next page

- 6) Maximum fluid temperature for standard sensor design:  
130 °C with ETFE, 90 °C (194 °F) with hard rubber  
-40 °C only in conjunction with stainless steel flange.
- 7) Explosion protection only possible in conjunction with dual-compartment transmitter housing.
- 8) Only with model FEP311.
- 9) Div 1 available up to DN 300 (12 in.).
- 10) Transmitter degree of protection = IP67 (NEMA 4X) with single-compartment and dual-compartment housing
- 11) Not Available with design Zone 2 / Div 2 or Zone 1 / Div1.
- 12) Choice with design Zone 2 / Div 2.
- 13) Choice with design Zone 1 / Div 1.
- 14) Specified by ABB.

## Continued

Version number	Main order number																												Add. order no.	
	1	2	3	4	5	6	7	8	9	10	11	12	13	14	15	16	17	18	19	20	21	22	23	24	25	26	27	28		
<b>Without explosion protection</b>	<b>FEP311</b>	X	X	X	X	X	X	X	X	X	X	X	X	X	X	X	X	X	X	X	X	X	X	X	X	X	X	X	X	<b>XX</b>
<b>With explosion protection</b>	<b>FEP315</b>	X	X	X	X	X	X	X	X	X	X	X	X	X	X	X	X	X	X	X	X	X	X	X	X	X	X	X	X	<b>XX</b>
<b>Accessories</b>																														
None																													AY	
<b>Steckverbinder</b>																														
Feldbus M12 x 1																													15)	U2
<b>Transmitter housing design</b>																														
Single-compartment housing / Aluminium																													16)	H1
Dual-compartment housing / Aluminium																														H2
Dual-compartment housing / Stainless steel																													17)	H4
<b>Sensor housing material</b>																														
Aluminium / Carbon steel																													18)	SMA
Stainless steel																													19)	SMS
<b>Number of test points</b>																														
3 points																														T3
5 points																														T5
<b>Material Sourcing</b>																														
Material sourcing limitations apply																														MS1
<b>Language of documentation</b>																														
German																														M1
English																														M5
Chinese																														M6
Russian																														MB
Western Europe / Scandinavia language package (languages: DE, EN, DA, ES, FR, IT, NL, PT, FI, SV)																														MW
Eastern Europe language package (languages: DE, EL, CS, ET, LV, LT, HU, PL, SK, SL, RO, BG)																														ME
<b>Material Certifications</b>																														
Test report 2.2 acc. EN 10204 confirmation of material																														C1
Material monitoring with inspection certificate 3.1 acc. EN 10204																														C2
Material monitoring with inspection certificate 3.2 acc. EN 10204																														C3
Declaration of compliance with the order 2.1 acc. EN 10204																														C4
Inspection certificate 3.1 acc. EN 10204 for visual, dimensional and functional test																														C6
Inspection certificate 3.1 acc. EN 10204 for positive material identification PMI (inclusive heat analysis)																														CA
Certificate of accuracy 2.1 acc. EN 10204																														CM
Material monitoring NACE MR 0175 / MR 0103 if applicable, with inspection certificate 3.1 acc. EN 10204																														CN
Others																														CZ
<b>Tests and Reports</b>																														
Inspection certificate 3.1 acc. EN 10204 for non-destructive testing of welds (X-Ray) acc. to ASME																														NA
Inspection certificate 3.1 acc. EN 10204 for non-destructive testing of welds (Dye Pen Test) acc. to ASME																														NB
Pressure test acc. AD2000 acc. to ASME																														N6
Welder qualification & welding procedure certificate acc. to ASME																														NF

15) Only for PROFIBUS PA Not for model FEP315.

16) Not available with Ex design Zone 1

17) In conjunction with sensor housing material Stainless steel.

18) In conjunction with Transmitter housing design (Aluminium) only.

19) In conjunction with Transmitter housing design (Stainless steel) only.

**Electromagnetic flowmeter ProcessMaster - FEP321 and FEP325, remote mount design, high pressure version**

Version number	Main order number																											Add. order no.
	1-6	7	8	9	10	11	12	13	14	15	16	17	18	19	20	21	22	23	24	25	26	27	27					
<b>Without explosion protection</b>	<b>FEP321</b>	X	X	X	X	X	X	X	X	X	X	X	X	X	X	X	X	X	X	X	X	X	X	X	X	XX		
<b>With explosion protection</b>	<b>FEP325</b>	X	X	X	X	X	X	X	X	X	X	X	X	X	X	X	X	X	X	X	X	X	X	X	X	XX		
<b>Nominal diameter</b>																												
DN 25 (1 in.)			0	2	5																							
DN 32 (1-1/4 in.)			0	3	2																							
DN 40 (1-1/2 in.)			0	4	0																							
DN 50 (2 in.)			0	5	0																							
DN 65 (2-1/2 in.)			0	6	5																							
DN 80 (3 in.)			0	8	0																							
DN 100 (4 in.)			1	0	0																							
DN 125 (5 in.)			1	2	5																							
DN 150 (6 in.)			1	5	0																							
DN 200 (8 in.)			2	0	0																							
DN 250 (10 in.)			2	5	0																							
DN 300 (12 in.)			3	0	0																							
DN 350 (14 in.)			3	5	0																							
DN 400 (16 in.)			4	0	0																							
<b>Lining material</b>																												
ETFE																											E	
Hard rubber																											H	
<b>Electrode design</b>																												
Standard																											1	
Pointed head																											5	
<b>Signal electrode material</b>																												
Hastelloy C-4 (2.4610)																											D	
Stainless steel 316Ti (1.4571)																											S	
<b>Grounding accessories</b>																												
Standard																											1	
<b>Process connection</b>																												
Flanges ANSI Class 600 RF																											A 6	
Flanges ANSI Class 900 RF																											A 7	
Flanges ANSI Class 1500 RF																											A 8	
Flanges ANSI Class 2500 RF																											1) A 9	
Flange ANSI Class 600 RTJ																											H 6	
Flange ANSI Class 900 RTJ																											H 7	
Flange ANSI Class 1500 RTJ																											H 8	
Flange ANSI Class 2500 RTJ																											1) H 9	
<b>Process connection material</b>																												
Steel																											B	
Stainless steel flange																											2) D	
<b>Usage Certifications</b>																												
Meter tube with PED approval																											0	
<b>Calibration Type</b>																												
Standard accuracy																											3) A	
Increased accuracy																											4) B	
Standard accuracy + ScanMaster function																											3) K	
Increased accuracy + ScanMaster function																											4) L	
Witnessed factory calibration																											5) M	

Continued on next page

- 1) Available up to DN 300 (12 in.)
- 2) Material: See data sheet
- 3) Standard accuracy (0.4% of rate) assumes 2 calibration points. If more than 2 calibration points are required, you must specify 3 or 5 points under "Number of test points"
- 4) Increased accuracy (0.2% of rate) assumes 3 calibration points. If more than 3 calibration points are required, you must specify 5 points under "Number of test points". Available for DN10 (3/8 in.) ... 800 (32 in.)
- 5) 3rd party witnessed calibration

Continued

Version number	Main order number																												Add. order no.																	
	1-6	7	8	9	10	11	12	13	14	15	16	17	18	19	20	21	22	23	24	25	26	27	28																							
<b>Without explosion protection</b>	<b>FEP321</b>	X	X	X	X	X	X	X	X	X	X	X	X	X	X	X	X	X	X	X	X	X	X	X	X	X	X	X	<b>XX</b>																	
<b>With explosion protection</b>	<b>FEP325</b>	X	X	X	X	X	X	X	X	X	X	X	X	X	X	X	X	X	X	X	X	X	X	X	X	X	X	X	<b>XX</b>																	
<b>Sensor temperature range / Ambient temperature range</b>																																														
Standard sensor design / -20 ... 60 °C (-4 ... 140 °F)																			6)	1																										
Standard sensor design / -40 ... 60 °C (-40 ... 140 °F)																			6)	2																										
<b>Name plate</b>																																														
Adhesive label																			A																											
Stainless steel																			B																											
Stainless steel and TAG plate (stainless steel)																			C																											
<b>Signal Cable Length and Type</b>																																														
No cable																			7)	0																										
5 m (15 ft) standard cable																				1																										
10 m (30 ft) standard cable																				2																										
20 m (60 ft) standard cable																				3																										
30 m (100 ft) standard cable																				4																										
50 m (165 ft) standard cable																				5																										
80 m (260 ft) standard cable																				6																										
100 m (325 ft) standard cable																				7																										
150 m (490 ft) standard cable																				8																										
Other																				9																										
<b>Explosion Protection Certification</b>																																														
None																			8)	A																										
ATEX / IEC Zone 1																				L																										
ATEX / IEC Zone 2 / 21																				M																										
usFMc Div 2 Zone 2																				P																										
usFMc Div 1																			9)	R																										
<b>Protection Class Transmitter / Protection Class Sensor</b>																																														
IP 67 (NEMA 4X) / IP 67 (NEMA 4X)																			10)	1																										
IP 67 (NEMA 4X) / IP 68 (NEMA 6P), cable not fitted and potted																			11)	2																										
IP 67 (NEMA 4X) / IP 68 (NEMA 6P), cable fitted and potted																			12)	3																										
<b>Cable Conduits</b>																																														
M20 x 1.5																				A																										
1/2 in. NPT																				B																										
PF 1/2 in.																			13)	C																										
<b>Power supply</b>																																														
Without																				0																										
<b>Input and Output Signal Type</b>																																														
Without																				Y																										
<b>Configuration Type / Diagnostics Type</b>																																														
Parameters set to factory defaults / Standard diagnostic functions activated																				1																										
Parameters set customer-specific / Standard diagnostic functions activated																				3																										
<b>Design Level</b>																																														
Design Level B																			14)	B																										

Continued on next page

- 6) Maximum fluid temperature for standard sensor design:  
130 °C with ETFE, 90 °C (194 °F) with hard rubber  
-40 °C only in conjunction with stainless steel flange.
- 7) For flowmeter sensor model FEP325 designed for zone 1 / Div 1, signal cable length can be max. 50 m (164 ft) in combination with transmitter model FET321 or transmitter model FET 325 designed for zone 2 / Div 2.  
For sensor model FEP325 designed for zone 1 / Div 1, signal cable length can be max. 10 m (32.8 ft) in combination with transmitter model FET325 designed for zone 1 / Div 1.
- 8) Model FEP321 only.
- 9) Div 1 available up to DN 300 (12 in.).
- 10) Transmitter degree of protection = IP67.
- 11) Only available with remote transmitter, sealing compound (optional) D141B038U01.
- 12) Not available with FET325 transmitter in zone1 / Div1 design.
- 13) Not available with Zone 2 / Div 2 or Zone 1 / Div1.
- 14) Specified by ABB.

Continued

Version number	Main order number																												Add. order no.	
	1-6	7	8	9	10	11	12	13	14	15	16	17	18	19	20	21	22	23	24	25	26	27	28							
<b>Without explosion protection</b>	<b>FEP321</b>	X	X	X	X	X	X	X	X	X	X	X	X	X	X	X	X	X	X	X	X	X	X	X	X	X	X	X	X	<b>XX</b>
<b>With explosion protection</b>	<b>FEP325</b>	X	X	X	X	X	X	X	X	X	X	X	X	X	X	X	X	X	X	X	X	X	X	X	X	X	X	X	X	<b>XX</b>
<b>Accessories</b>																														
None																												AY		
With pre-amplifier installed in sensor terminal box																												15) AP		
<b>Connectionbox Material</b>																														
Aluminum																												UTA		
<b>Sensor housing material</b>																														
Aluminum < DN 450 / Carbon Steel > DN 400																												SMA		
<b>Power Frequency</b>																														
50 Hz (If the Sensor is ordered without a Transmitter, the line frequency has to be specified here)																												F5		
60 Hz (If the Sensor is ordered without a Transmitter, the line frequency has to be specified here)																												F6		
<b>Number of test points</b>																														
3 points																												T3		
5 points																												T5		
<b>Material Sourcing</b>																														
Material sourcing limitations apply																												MS1		
<b>Language of documentation</b>																														
German																												M1		
English																												M5		
Chinese																												M6		
Russian																												MB		
Language package Western Europe / Scandinavia (Languages: DE, EN, DA, ES, FR, IT, NL, PT, FI, SV)																												MW		
Language package Eastern Europe (Languages: DE, EL, CS, ET, LV, LT, HU, PL, SK, SL, RO, BG)																												ME		
<b>Material Certifications</b>																														
Test report 2.2 acc. EN 10204 confirmation of material																												C1		
Material monitoring with inspection certificate 3.1 acc. EN 10204																												C2		
Material monitoring with inspection certificate 3.2 acc. EN 10204																												C3		
Declaration of compliance with the order 2.1 acc. EN 10204																												C4		
Inspection certificate 3.1 acc. EN 10204 for visual, dimensional and functional test																												C6		
Inspection certificate 3.1 acc. EN 10204 for positive material identification PMI (inclusive heat analysis)																												CA		
Certificate of accuracy 2.1 acc. EN 10204																												CM		
Material monitoring NACE MR 0175 / MR 0103 if applicable, with inspection certificate 3.1 acc. EN 10204																												CN		
Others																												CZ		
<b>Tests and Reports</b>																														
Inspection certificate 3.1 acc. EN 10204 for non-destructive testing of welds (X-Ray) acc. to ASME																												NA		
Inspection certificate 3.1 acc. EN 10204 for non-destructive testing of welds (Dye Pen Test) acc. to ASME																												NB		
Pressure test acc. AD2000 acc. to ASME																												N6		
Welder qualification & welding procedure certificate acc. to ASME																												NF		

15) Preamplifier required if signal cable length is > 50 m (>160 ft). Preamplifier not available for zone1 / Div1.

Remote transmitter - FET321, FET325

	Main order number															Add. order no.
	Version number	1 - 6	7	8	9	10	11	12	13	14	15					
<b>Without explosion protection</b>	FET321	X	X	X	X	X	X	X	X	X	X	X	X	X	X	XX
<b>With explosion protection</b>	FET325	X	X	X	X	X	X	X	X	X	X	X	X	X	X	XX
<b>Sensor temperature range / Ambient temperature range</b>																
Standard sensor design / -20 ... 60 °C (-4 ... 140 °F)			1													
Standard sensor design / -40 ... 60 °C (-4 ... 140 °F)			2													
High-temperature sensor design / -20 ... 60 °C (-4 ... 140 °F)			3													
High-temperature sensor design / -40 ... 60 °C (-4 ... 140 °F)			4													
<b>Name plate</b>																
Sticker				A												
Stainless steel				B												
Stainless steel, and TAG label stainless steel				C												
Sticker, chinese language			3)	S												
Stainless steel, chinese language			3)	T												
Stainless steel, and TAG label stainless steel, chinese language			3)	U												
<b>Signal cable length</b>																
No cable			1)	0												
<b>Explosion protection 2)</b>																
None			2) 10)	A												
ATEX / IEC Zone 1			2)	L												
ATEX / IEC Zone 2 / 21			2)	M												
usFMc Div 2 Zone 2			2)	P												
usFMc Div 1			2) 10)	R												
NEPSI Zone1			2) 3) 10)	U												
NEPSI Zone2			2) 3)	V												
<b>Protection type for transmitter / sensor</b>																
Standard / IP 67 (NEMA 4X)									1							
<b>Cable gland</b>																
M20 x 1.5										A						
1/2 in. NPT										B						
PF 1/2 in.									9)	C						
None										Y						
<b>Power supply</b>																
100 ... 230 V AC, 50 Hz														1		
24 V AC / DC, 50 Hz														2		
100 ... 230 V AC, 60 Hz														3		
24 V AC / DC, 60 Hz														4		
<b>Signal inputs / outputs</b>																
HART + 20 mA passive + pulses + contact input / output														5)	B	
HART + 20 mA active + pulses + contact input / output														6)	C	
HART + 20 mA active + pulses + contact output														7)	D	
PROFIBUS PA + contact output															E	
FOUNDATION Fieldbus + contact output															F	
<b>Default settings / Diagnostics</b>																
Without / standard diagnostic functions														8)	0	
Parameters are at factory settings / Standard diagnostic functions activated															1	
Parameters are set according to customer specifications / Standard diagnostic functions activated															3	

Continued on next page

- 1) For model FET325 designed for Ex Zone 1 / Div 1, 10 m (32.81 ft) of cable is connected to the transmitter.
- 2) Model FET325 only.
- 3) Production site: China.
- 4) Protection type for transmitter = IP 67 (NEMA 4X) with single-compartment housing and dual-compartment housing, IP 20 with panel mount housing.
- 5) Choice with design Zone 2 / Div 2 or Zone 1 / Div 1 or without explosion protection.
- 6) Choice with design Zone 2 / Div 2 or without explosion protection.
- 7) Choice with design Zone 1 / Div 1.
- 8) Must be selected if transmitter is being ordered as a spare part or without a sensor.
- 9) Only for model FET321.
- 10) Only available with Dual-compartment housing.

## Continued

Version number	Main order number										Add. order no.	
	1-6	7	8	9	10	11	12	13	14	15		
												XX
<b>Without explosion protection</b>	<b>FET321</b>	X	X	X	X	X	X	X	X	X	X	<b>XX</b>
<b>With explosion protection</b>	<b>FET325</b>	X	X	X	X	X	X	X	X	X	X	<b>XX</b>
<b>Plug connector</b>												
M12 x 1 fieldbus											11)	U2
<b>Transmitter housing design</b>												
Single-compartment housing / Aluminium											12)	H1
Dual-compartment housing / Aluminium												H2
<b>Additional options</b>												
With Gore-Tex membrane											12)	KG
<b>Other certificates</b>												
PMO approval (only for USA)												CR
<b>Additional certificates</b>												
Russia, metrological and GOST R certificate												CG1
Kazakhstan, metrological and GOST K certificate												CG2
Ukraine, metrological certificate												CG3
Belarus, metrological certificate												CG6
<b>Additional Ex certificates and approvals</b>												
Russia, GOST-Ex and RTN certificate												EG7
Kazakhstan, Ex applications certificate												EG3
Ukraine, GOST Ex and Ex application certificate												EG5
Belarus, GGTN certificate												EG9
Inmetro (Brazil)											13)	EB1
<b>Language of documentation</b>												
German												M1
English												M5
Chinese												M6
Russian												MB
Western Europe / Scandinavia language package (languages: DE, EN, DA, ES, FR, IT, NL, PT, FI, SV)												MW
Eastern Europe language package (languages: DE, EL, CS, ET, LV, LT, HU, PL, SK, SL, RO, BG)												ME
<b>Shipping Register Certificates</b>												
Marine class approval (DNV)												CL5
<b>SIL2 - Declaration of Conformity</b>												
SIL2 - Declaration of Conformity												CS

11) Only for Profibus PA, not for model FET325.

12) Available with Model FET521 and FET525 Zone 2 / Div 2.

13) Inmetro only in conjunction with explosion protection ATEX / IECEx Zone 1 (code "L") or ATEX / IECEx Zone 2/21 (code "M") and transmitter housing design "dual-compartment housing" (code H2).



**Transmitter plug-in module - FET301**



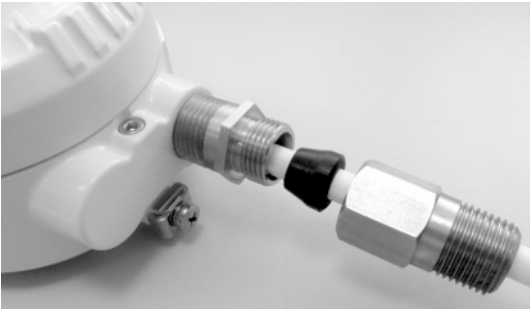
Version number	Main order number										Additional order no.	
	1-6	7	8	9	10	11	12	13	14	15		
	<b>FET301</b>	<b>X</b>	<b>X</b>	<b>X</b>	<b>X</b>	<b>X</b>	<b>X</b>	<b>X</b>	<b>X</b>	<b>X</b>		X
<b>Temperature Range of Installation / Ambient Temperature Range</b>												
Standard design / -20 ... 60 °C (-4 ... 140 °F)												
1												
<b>Name Plate</b>												
Adhesive label												
A												
<b>Signal Cable Length and Type</b>												
Without signal cable												
0												
<b>Explosion Protection Certification</b>												
Without												
A												
<b>Protection Class Transmitter / Protection Class Sensor</b>												
Others												
9												
<b>Cable Conduits</b>												
Others												
Z												
<b>Power Supply</b>												
100 ... 230 V AC, 50 Hz												
1												
24 V AC / DC, 50 Hz												
2												
100 ... 230 V AC, 60 Hz												
3												
24 V AC / DC, 60 Hz												
4												
<b>Input and Output Signal Type</b>												
HART + 20 mA passive + Pulse + Contact I/O												
B												
HART + 20 mA active + Pulse + Contact I/O												
C												
PROFIBUS PA + contact output												
E												
FOUNDATA FOUNDATION Fieldbus + contact output												
F												
<b>Configuration Type / Diagnostics Type</b>												
Without / Standard diagnostic functions												
1) 0												
<b>Language of Documentation</b>												
German												
M1												
English												
M5												
Chinese												
M6												
Russian												
MB												
Language package Western Europe / Scandinavia (Languages: DE, EN, DA, ES, FR, IT, NL, PT, FI, SV)												
MW												
Language package Eastern Europe (Languages: DE, EL, CS, ET, LV, LT, HU, PL, SK, SL, RO, BG)												
ME												
<b>SIL2 - Declaration of Conformity</b>												
SIL2 - Declaration of Conformity												
CS												

1) To be specified if Transmitter is ordered without Sensor or as a spare part.

**Flowmeter sensor simulator - FXC4000**

Version number	Main order number					
	1-5	6	7	8	9	10
	<b>55XC4</b>	<b>X</b>	<b>X</b>	<b>X</b>	<b>X</b>	<b>X</b>
<b>Flow Signal Setting</b>						
Without (adapter only)						
0						
3-position digitswitch with 1000 steps						
1						
<b>Power Supply</b>						
Without (adapter only)						
0						
110 ... 240 V AC 50 / 60 Hz // With Schuko plug						
1						
24 ... 48 V AC / DC // With 4 mm plug						
2						
110 ... 240 V AC 50 / 60 Hz // With US plug						
3						
<b>Accessories</b>						
Without						
0						
Adapter for converter type FXE4000-E4, FXM2000-XM2, FXF2000-DF23						
1						
Adapter board for converter type FSM4000-S4						
5						
Adapter plate for converter FET321, FET325, FET521, FET525						
6						
<b>Design level (specified by ABB)</b>						
*						
<b>Name Plate</b>						
German						
1						
English						
2						
French						
3						

**Accessories**

Description	Order number
<p>Diagnostic and verification software - ScanMaster FZC500</p> <p>ScanMaster allows you to easily check the installed device for proper functioning. The determined test and verification results are stored in a database and can be printed if required.</p> <p>ScanMaster is based on DTM technology and can be run on Asset Vision Basic or other frame applications (as of FDT 1.2).</p> <p>There are two ways to communicate with the device.</p> <ul style="list-style-type: none"> <li>- Via a HART modem (e.g. NHA121Nx (explosion-proof design) or NHA121No (standard design))</li> <li>- Via FZA100 infrared service port adapter FZA100</li> </ul>	<p>FZC500</p>
<p>Infrared service port adapter FZA100</p>  <p style="text-align: center;">G00788</p>	<p>FZA100</p>
<p>Installation set for 2" pipe installation in dual-compartment field-mount housing</p>  <p style="text-align: center;">G00789</p>	<p>612B091U07</p>
<p>Installation set for NPT 1/2" cable gland</p> <p>For sealing the cable conduit during outdoor installation.</p>  <p style="text-align: center;">G01312</p>	<p>3KXF081300L0001</p>
<p>Signal cable for nominal diameter ≥ DN 15 (1/2 inch) out of potentially explosive areas and in zone 2 / Div. 2</p>	<p>D173D031U01</p>
<p>Signal cable for all applications (including zone 1, 2 / Div. 1, 2)</p>	<p>D173D027U01</p>

**Trademarks**

- ® HART is a registered trademark of FieldComm Group, Austin, Texas, USA.
- ® PROFIBUS and PROFIBUS PA are registered trademarks of PROFIBUS & PROFINET International (PI)
- ® FOUNDATION Fieldbus is a registered trademark of FieldComm Group, Austin, Texas, USA.
- ® LINATEX is a registered trademark of Linatex Ltd.
- ™ Hastelloy C-4 is a Haynes International trademark
- ™ Hastelloy B-3 is a Haynes International trademark

# Contact us

## **ABB Limited**

### **Process Automation**

Howard Road, St. Neots  
Cambridgeshire, PE19 8EU  
UK

Tel: +44 (0)870 600 6122

Fax: +44 (0)1480 213 339

Mail: [enquiries.mp.uk@gb.abb.com](mailto:enquiries.mp.uk@gb.abb.com)

## **ABB Inc.**

### **Process Automation**

125 E. County Line Road  
Warminster, PA 18974  
USA

Tel: +1 215 674 6000

Fax: +1 215 674 7183

## **ABB Automation Products GmbH**

### **Process Automation**

Dransfelder Str. 2  
37079 Goettingen  
Germany

Tel: +49 551 905-0

Fax: +49 551 905-777

## **ABB Engineering (Shanghai) Ltd.**

### **Process Automation**

No. 4528, Kangxin Highway, Pudong  
New District  
Shanghai, 201319,  
P.R. China

Tel: +86(0) 21 6105 6666

Fax: +86(0) 21 6105 6677

Mail: [china.instrumentation@cn.abb.com](mailto:china.instrumentation@cn.abb.com)

[www.abb.com/flow](http://www.abb.com/flow)

## Note

We reserve the right to make technical changes or modify the contents of this document without prior notice.

With regard to purchase orders, the agreed particulars shall prevail. ABB does not accept any responsibility whatsoever for potential errors or possible lack of information in this document.

We reserve all rights in this document and in the subject matter and illustrations contained therein. Any reproduction, disclosure to third parties or utilization of its contents in whole or in parts – is forbidden without prior written consent of ABB.

Copyright© 2016 ABB

All rights reserved

3KXF231300R1001



Sales



Service