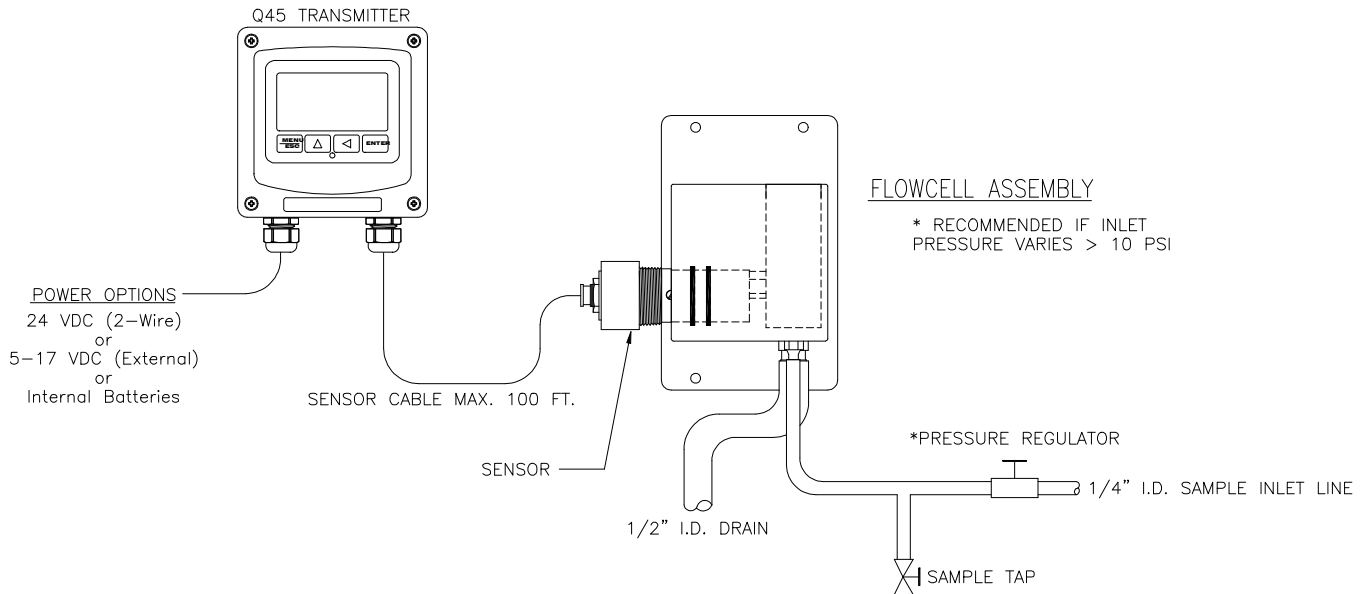
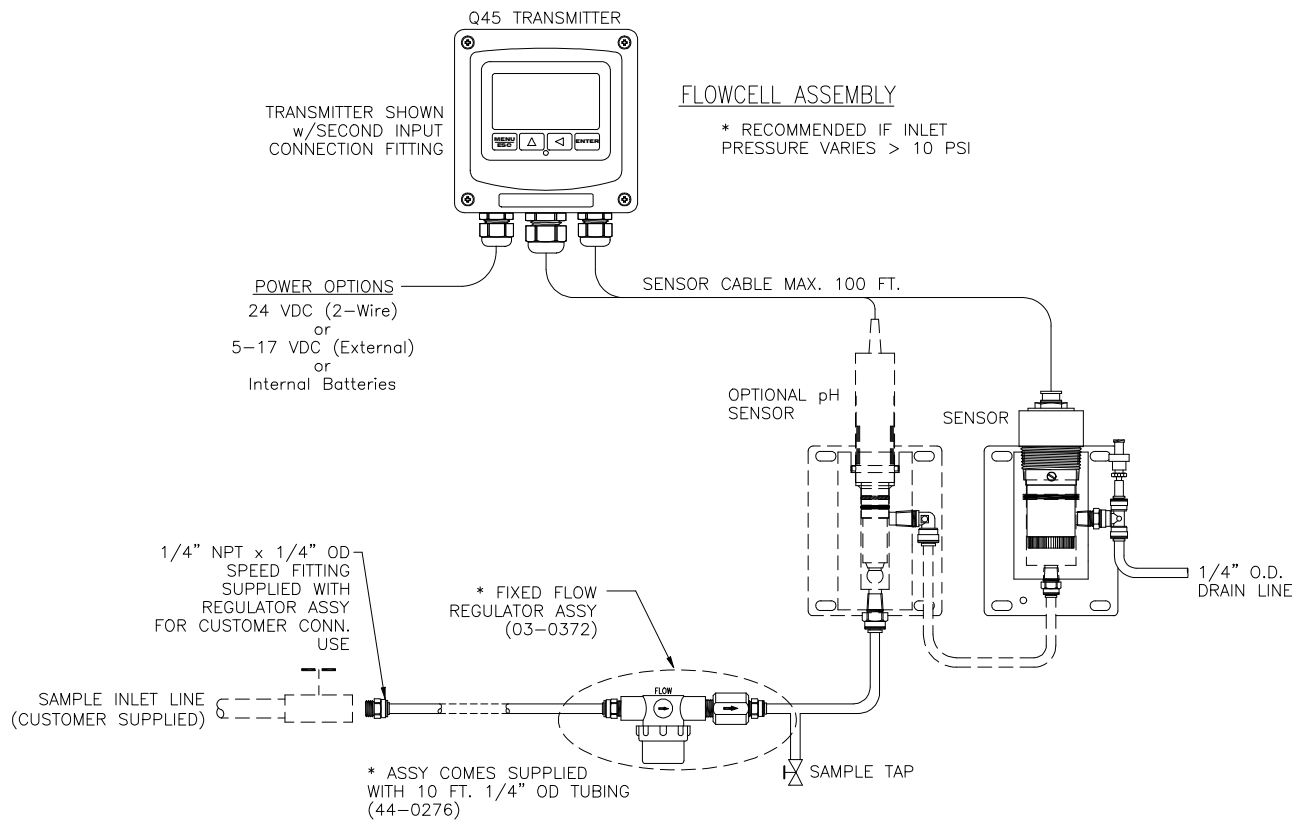


SYSTEM WITH CONSTANT HEAD FLOWCELL



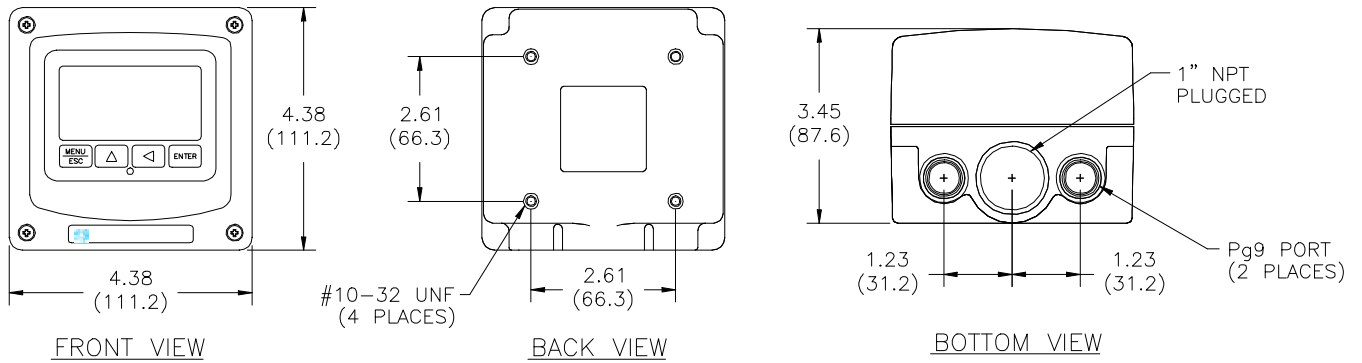
ATI-0730

SYSTEM WITH SEALED FLOWCELL



ATI-0891

2-WIRE VERSION or REMOTE DC MODELS

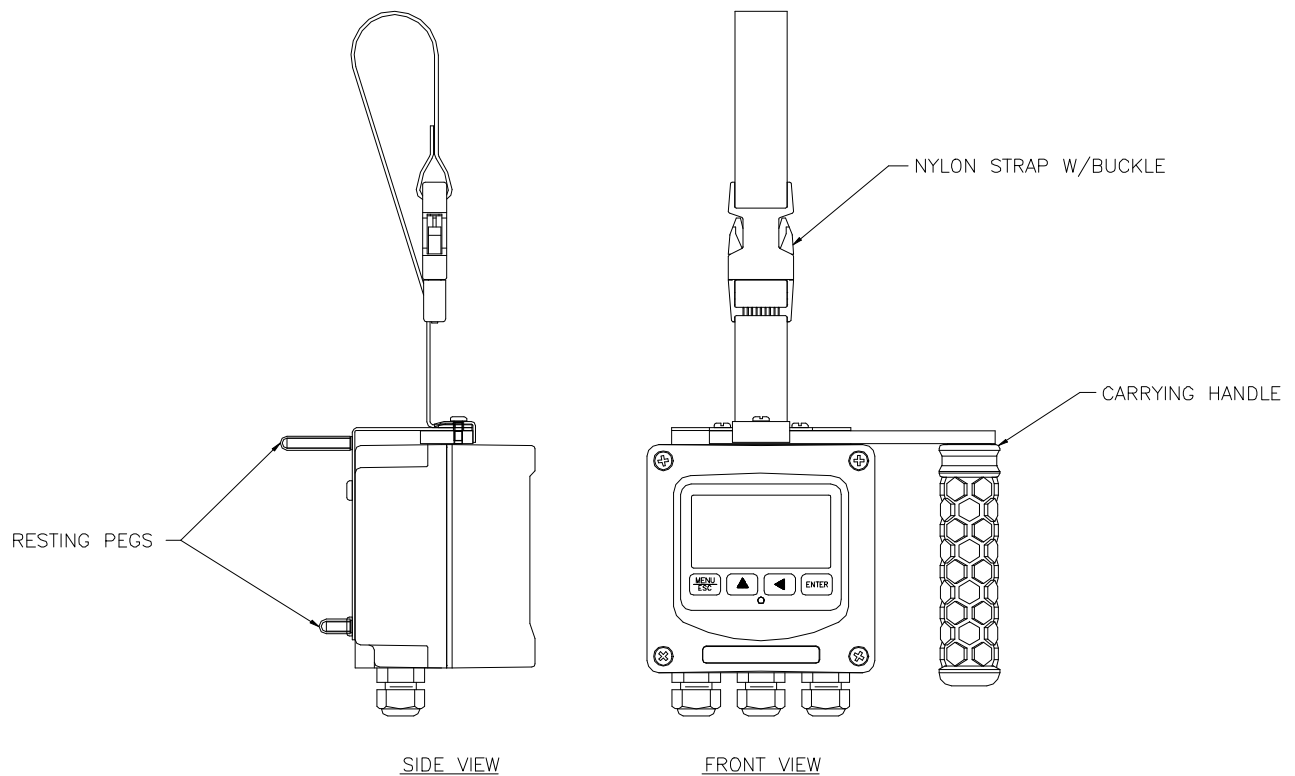


ATI-0655

NOTE: JUNCTION BOXES HAVE SAME DIMENSIONS AS 2-WIRE TRANSMITTER

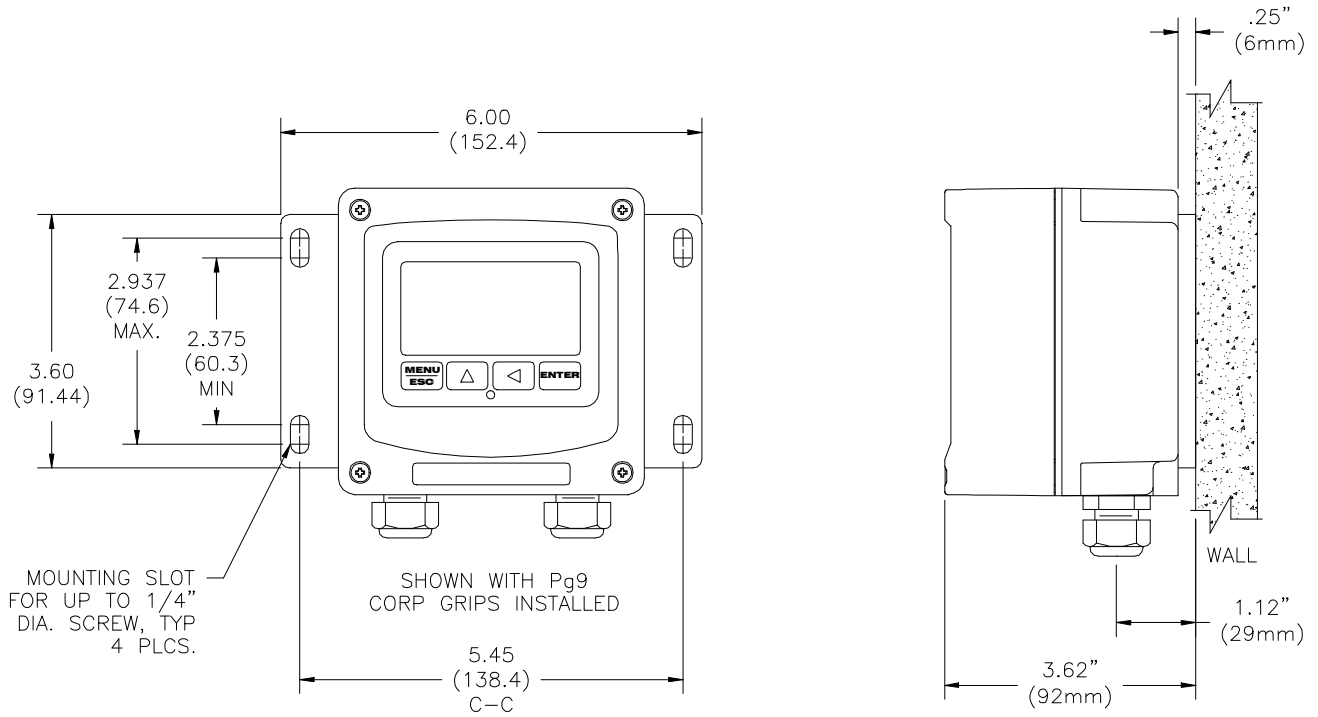
Material: Polycarbonate
 Ratings: Nema 4X (IP-66)
 V-0 Fire Retardant

BATTERY POWERED MODEL



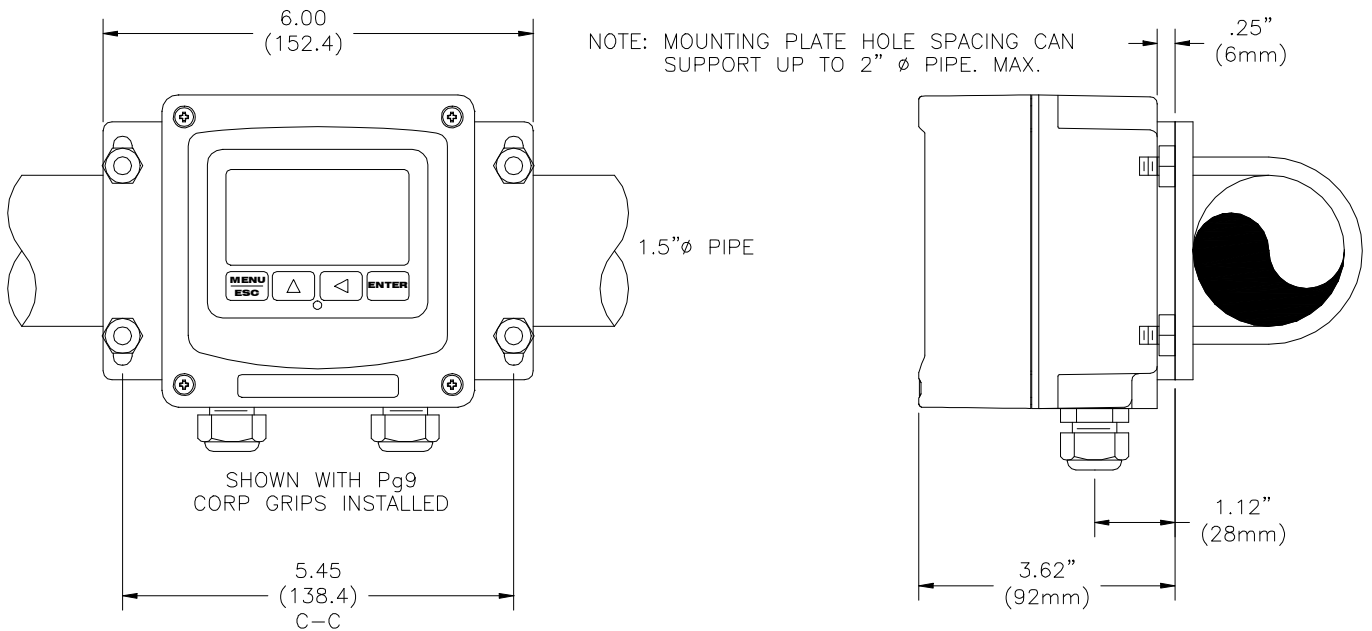
ATI-0688

WALL MOUNTING



ATI-1033

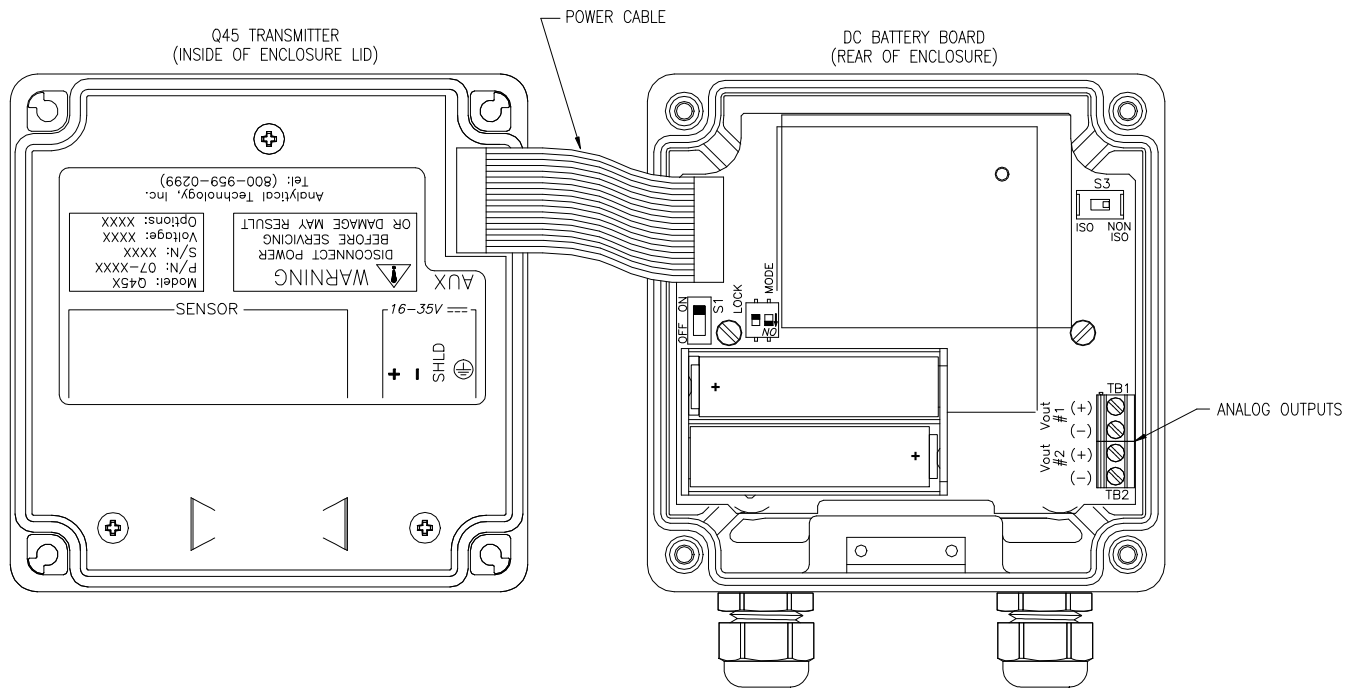
PIPE MOUNTING



NOTE: PLATE MAY BE TURNED 90° FOR VERTICAL PIPE MOUNTING

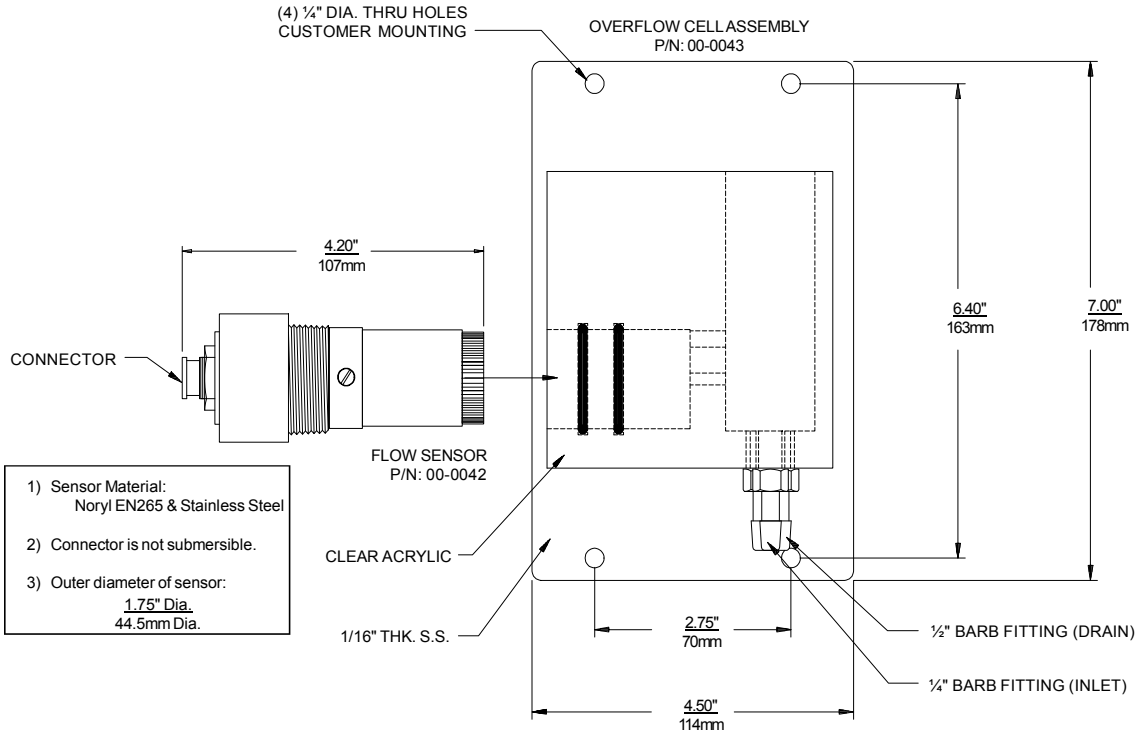
ATI-1034

INTERNAL BATTERY CONFIGURATION



ATI-0827b

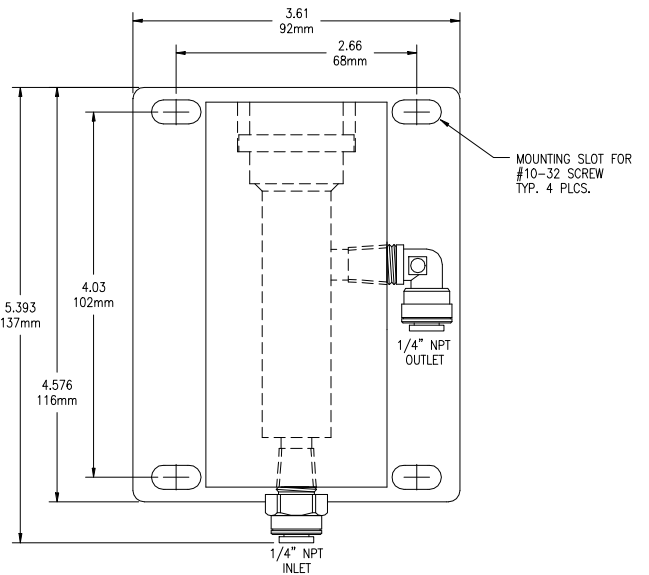
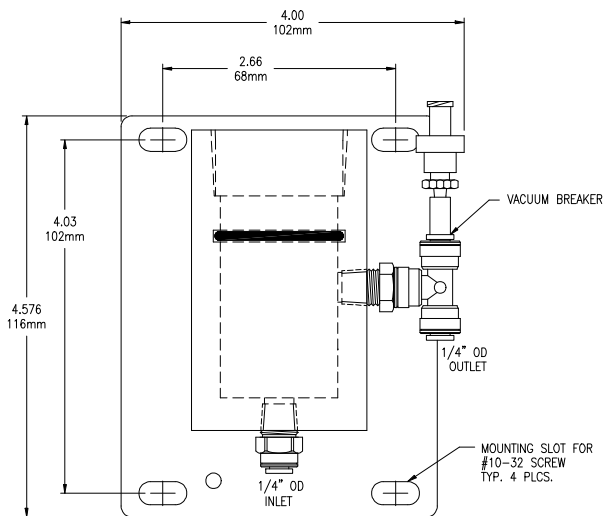
FLOW SENSOR DIMENSIONS & OVERFLOW CELL INSTALLATION



ATI-0196

CI2 SEALED FLOWCELL ASSEMBLY (00-1522)

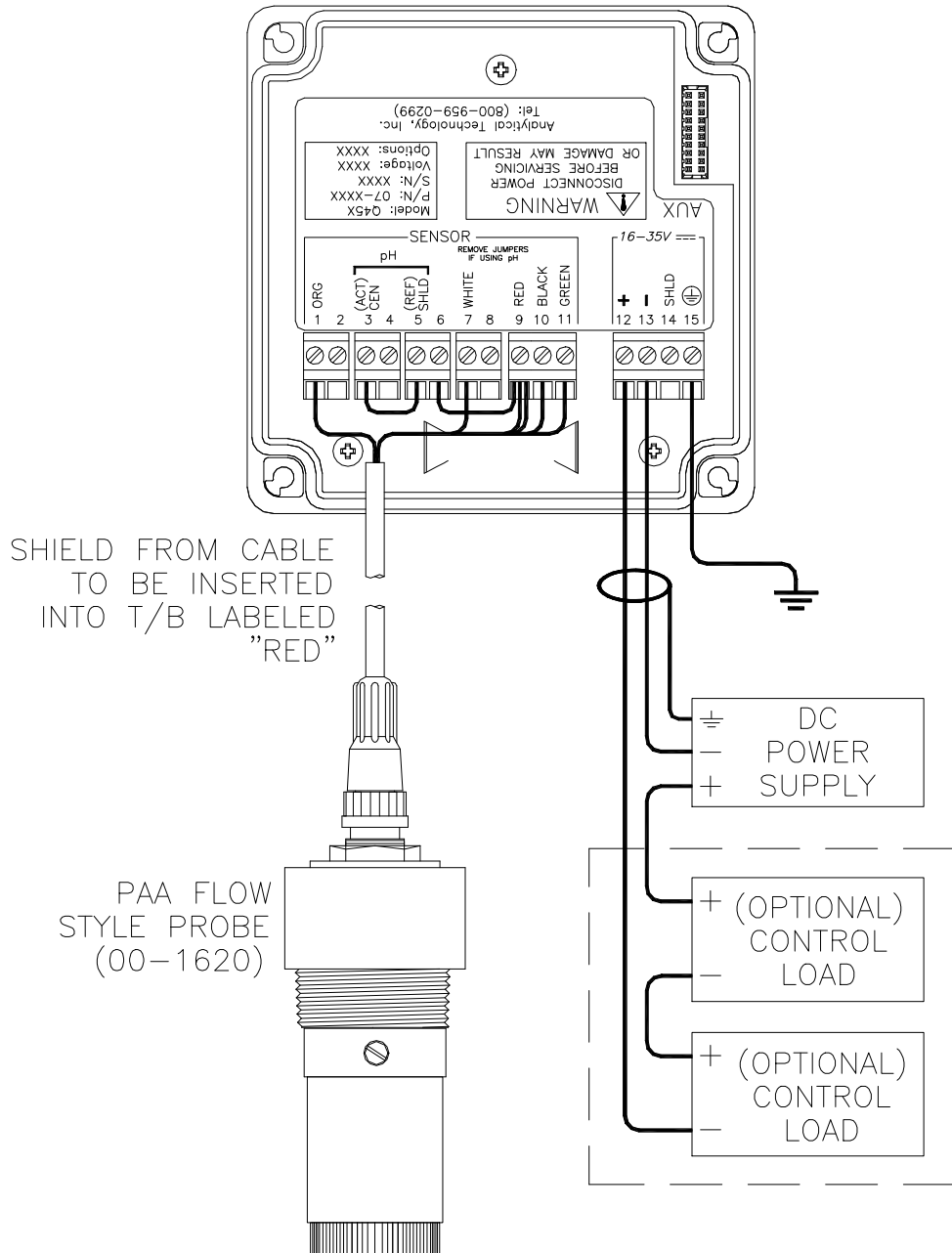
pH SEALED FLOWCELL ASSEMBLY (00-1527)



ATI-0859

Material: Acrylic
Mounting Plate: PVC

ELECTRICAL CONNECTIONS - 2-WIRE TRANSMITTER



- NOTES:** 1. Voltage between Terminals 12 & 13 MUST be between 16 & 35 VDC.
 2. Earth ground into Terminal 15 is HIGHLY recommended. This connection can greatly improve stability in electrically noisy environments.

SENSOR CONNECTIONS - REMOTE JUNCTION BOX

