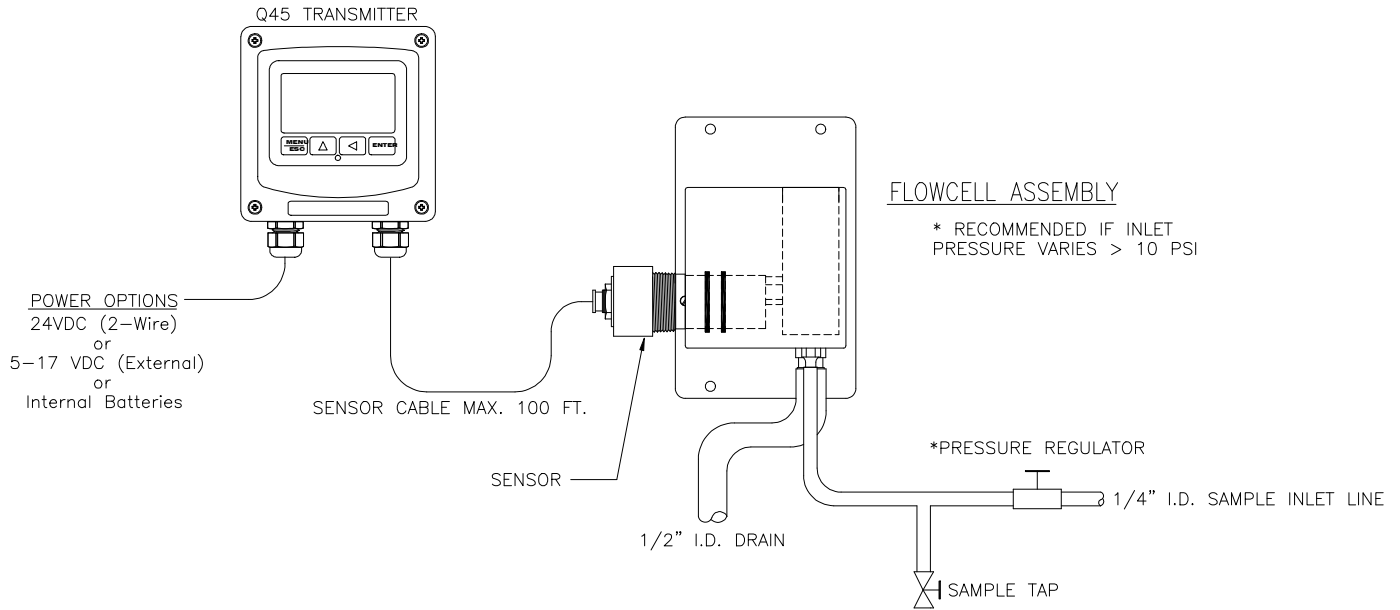
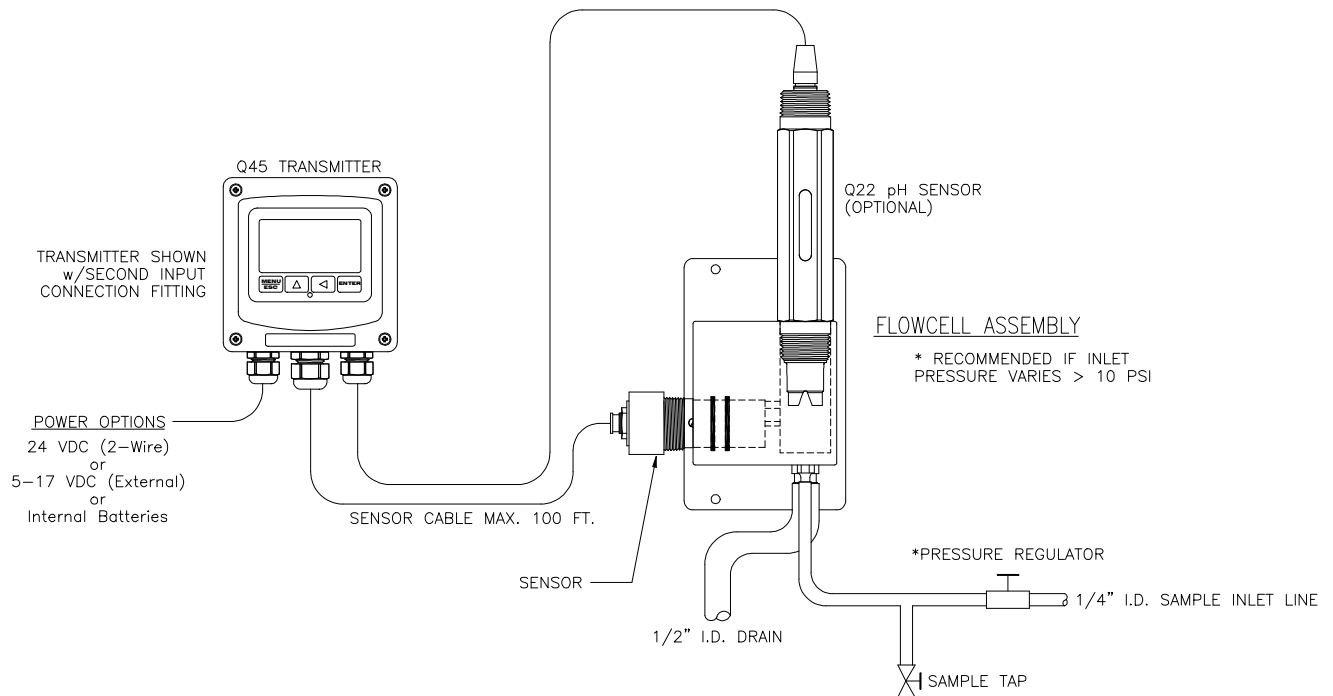


**STANDARD SYSTEM**



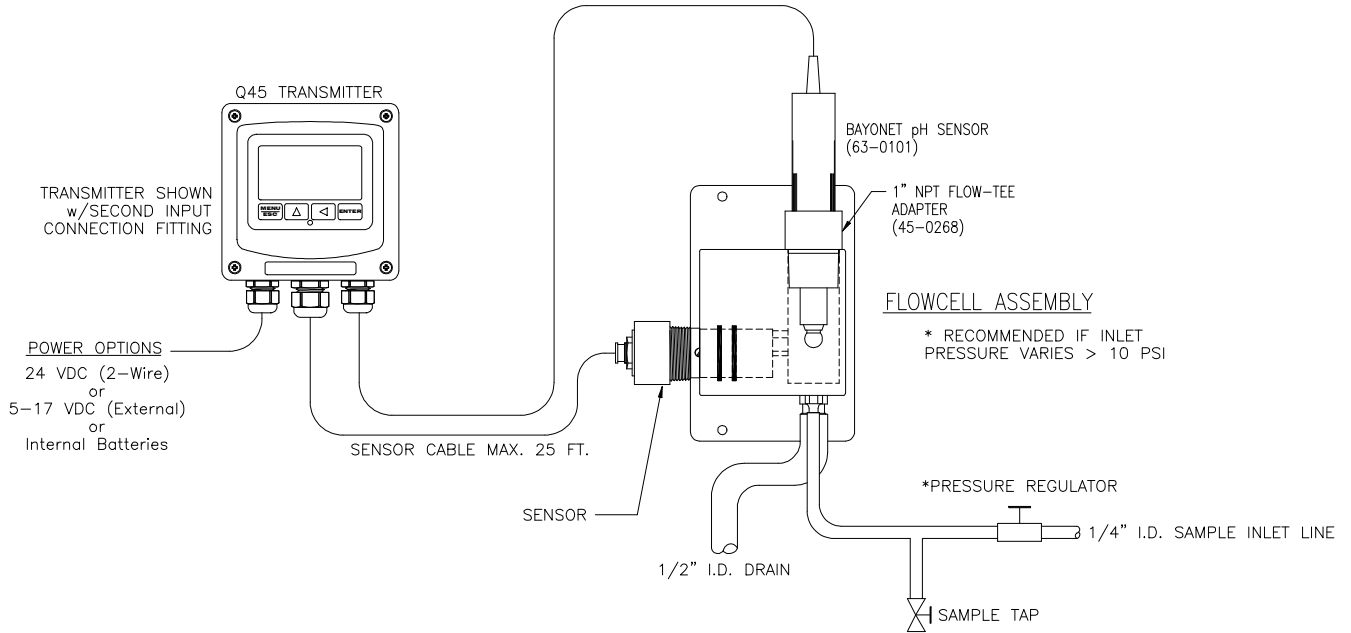
ATI-0730

**SYSTEM w/Q22 pH SENSOR**



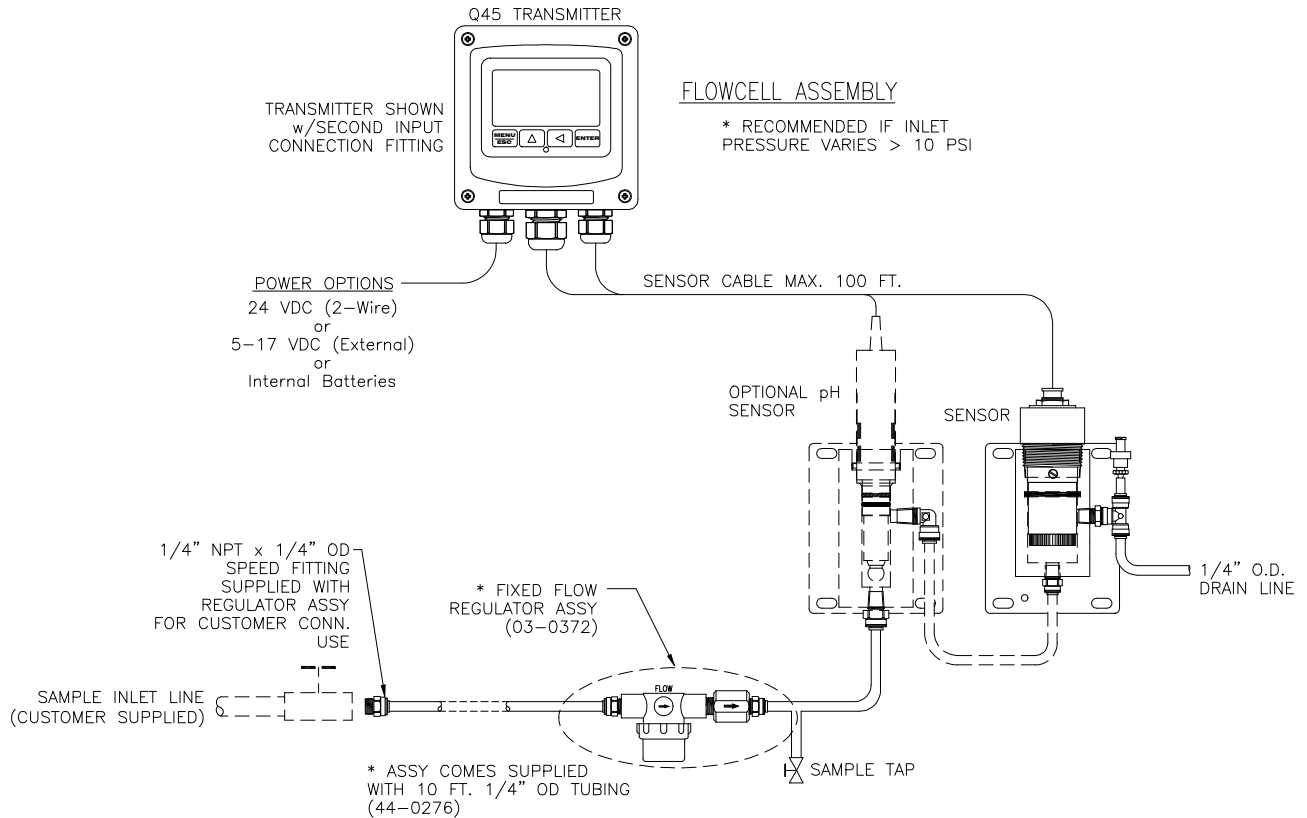
ATI-0648

**SYSTEM w/pH (BAYONET STYLE) PROBE**



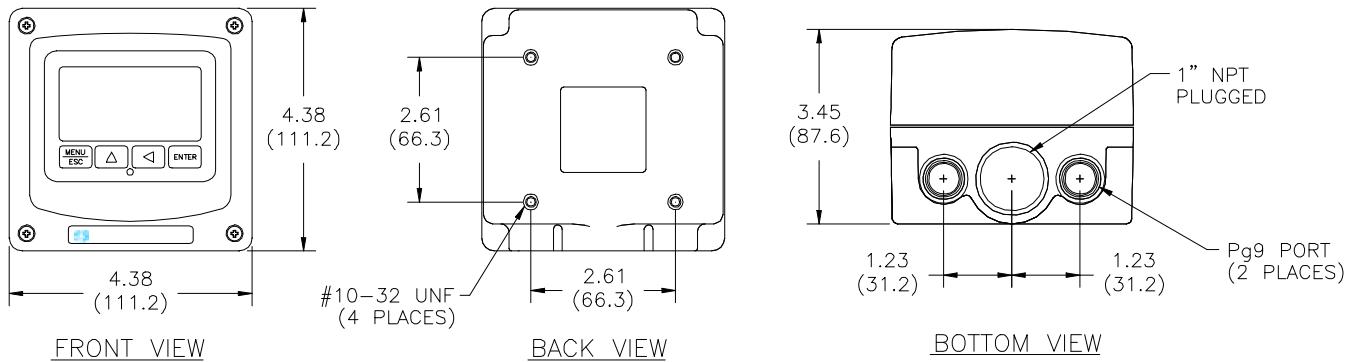
ATI-0863

**SYSTEM w/SEALED FLOWCELLS**



ATI-0891

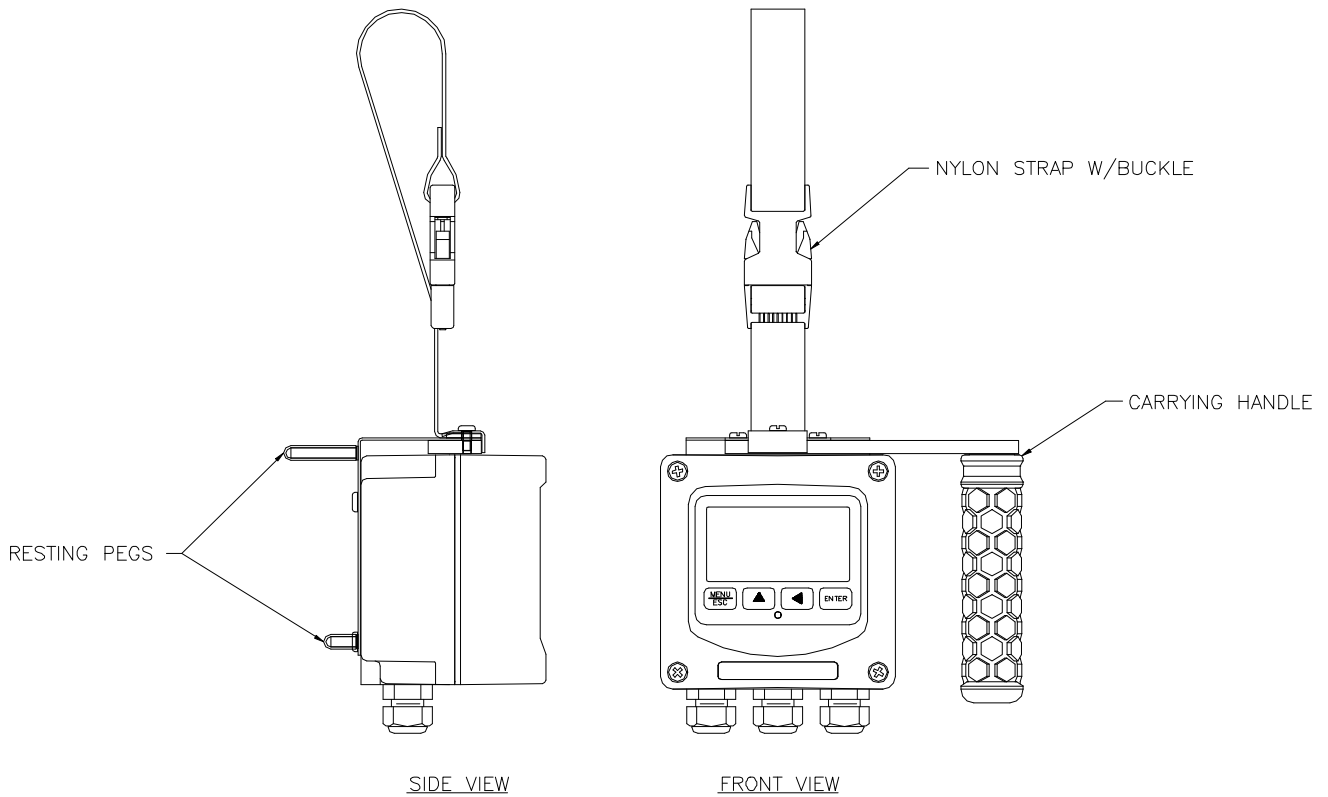
**2-WIRE or REMOTE DC MODELS**



ATI-0655

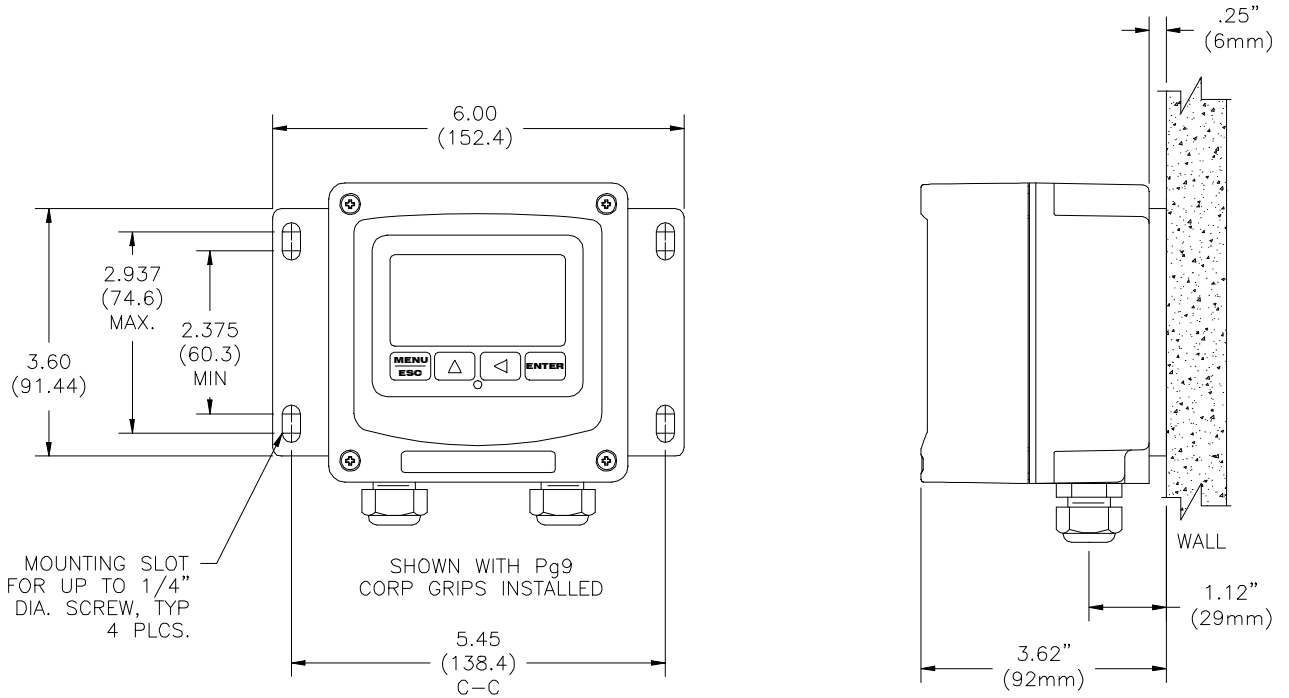
**NOTE: JUNCTION BOXES HAVE SAME DIMENSIONS AS 2-WIRE TRANSMITTER**

**BATTERY POWERED MODEL**



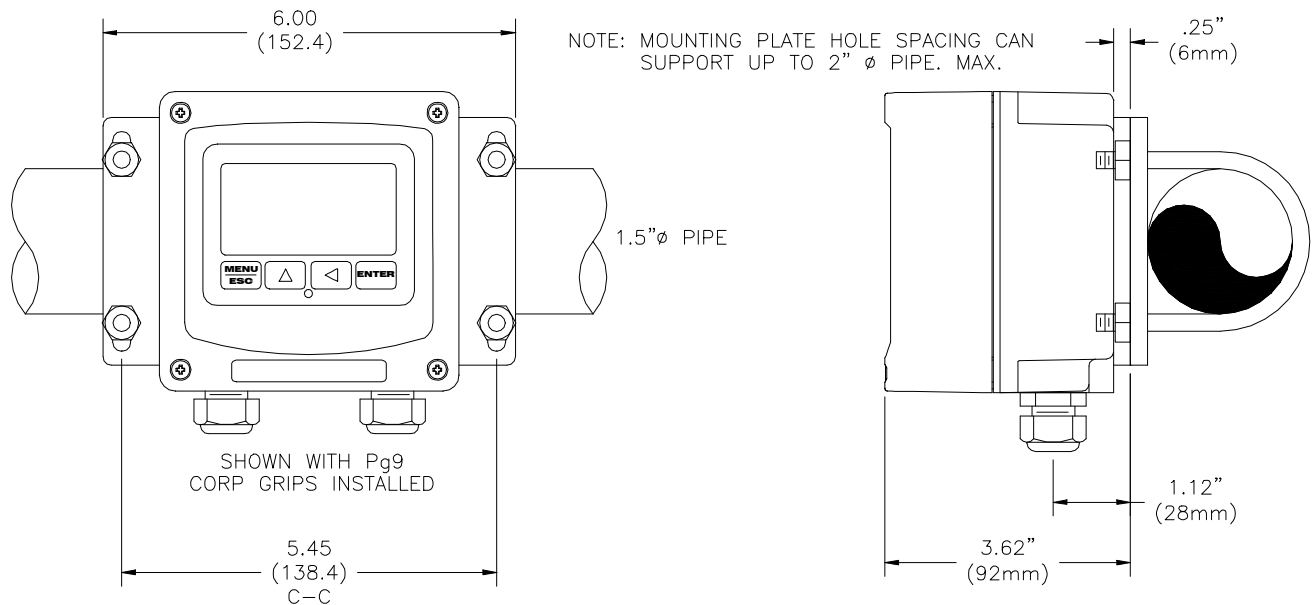
ATI-0688

**WALL MOUNTING**



ATI-1033

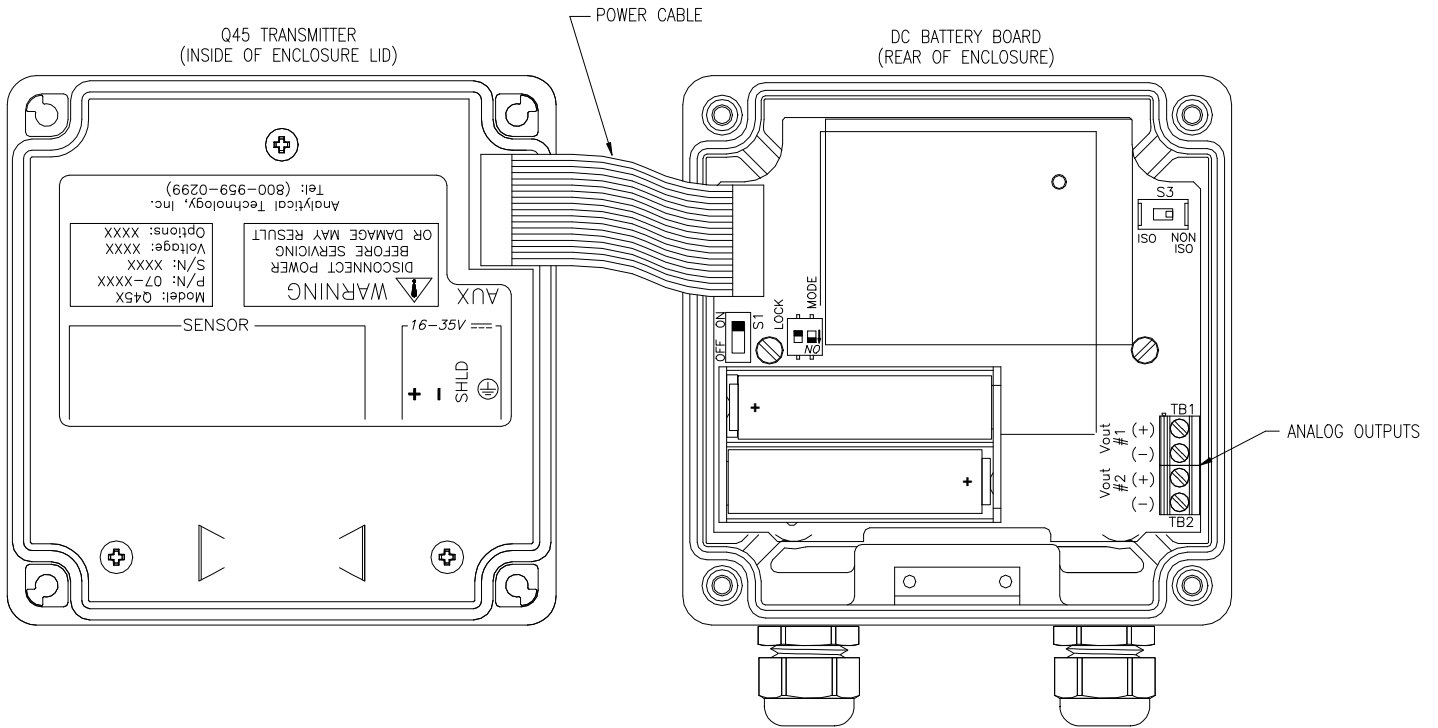
**PIPE MOUNTING**



NOTE: PLATE MAY BE TURNED 90° FOR VERTICAL PIPE MOUNTING

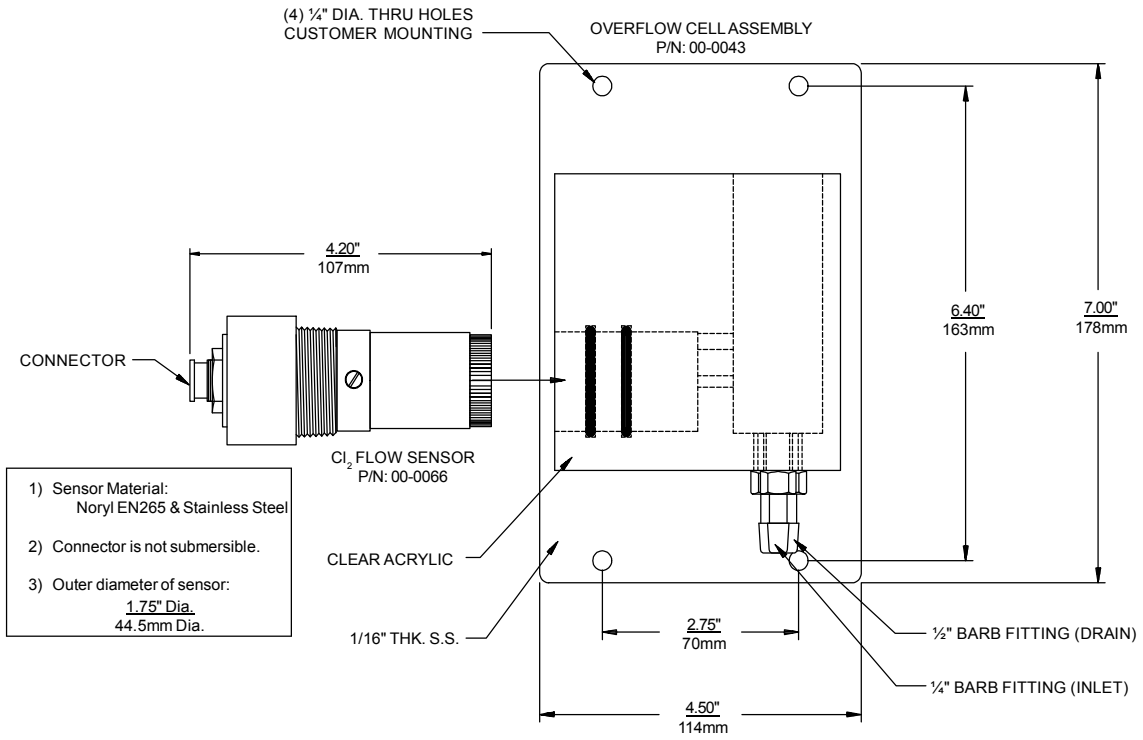
ATI-1034

**INTERNAL BATTERY CONFIGURATION**



ATI-0827b

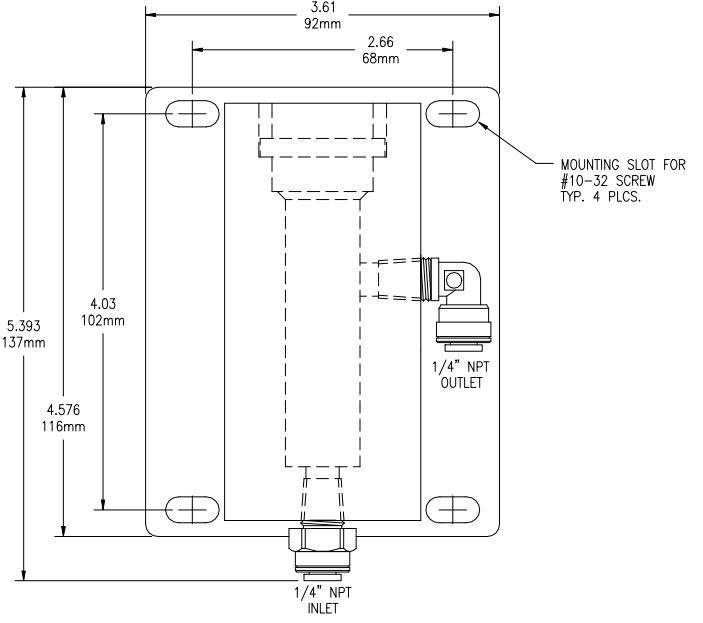
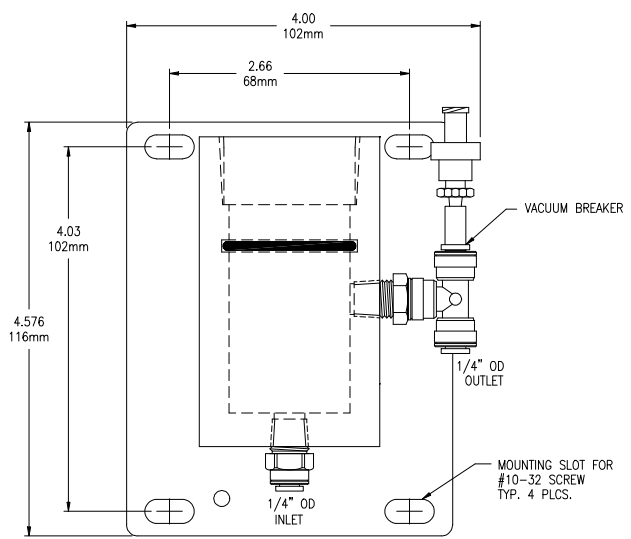
**FLOW SENSOR DIMENSIONS & OVERFLOW CELL INSTALLATION**



ATI-0196

**CI2 SEALED FLOWCELL ASSEMBLY (00-1522)**

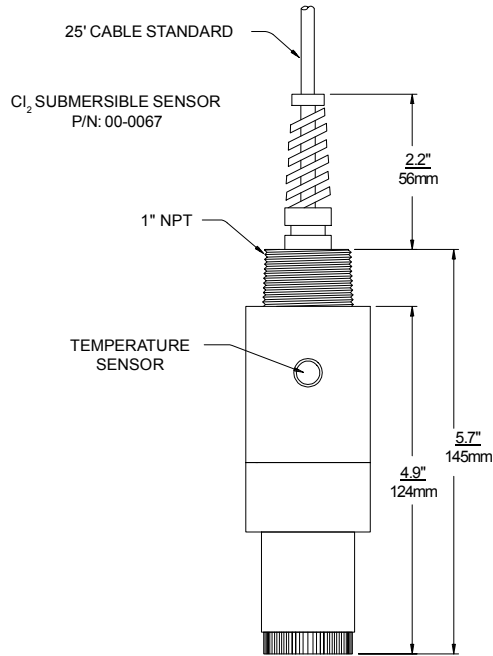
**pH SEALED FLOWCELL ASSEMBLY (00-1527)**



ATI-0859

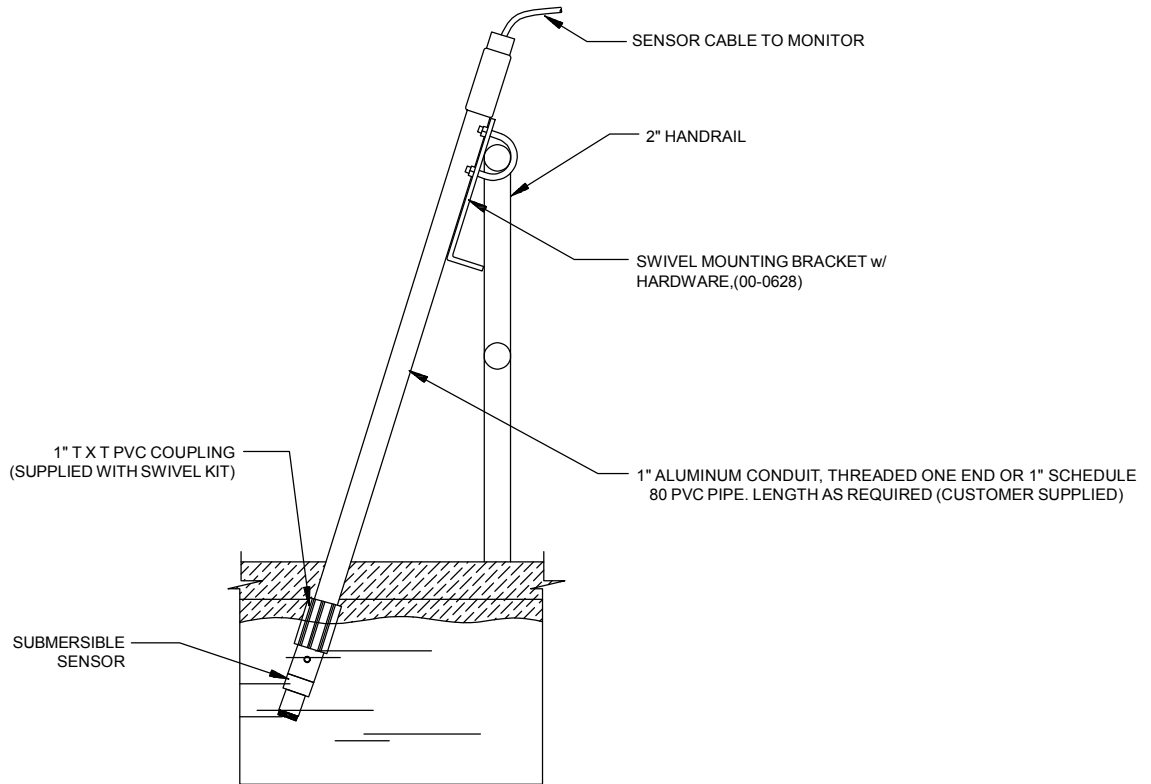
Material: Acrylic  
Mounting Plate: PVC

**SUBMERSIBLE SENSOR DIMENSIONS**



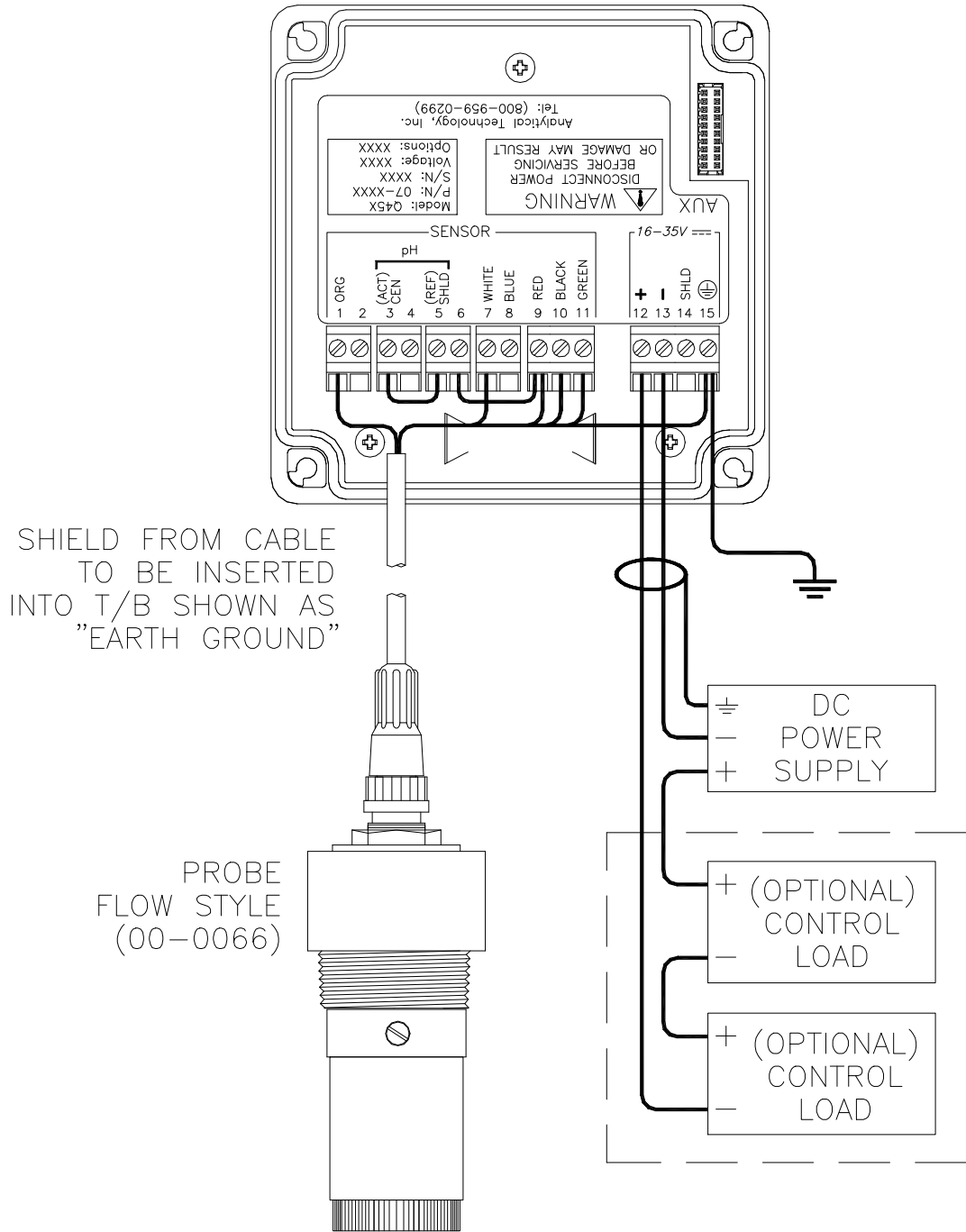
ATI-004

**SUBMERSIBLE SENSOR INSTALLATION**



ATI-0155

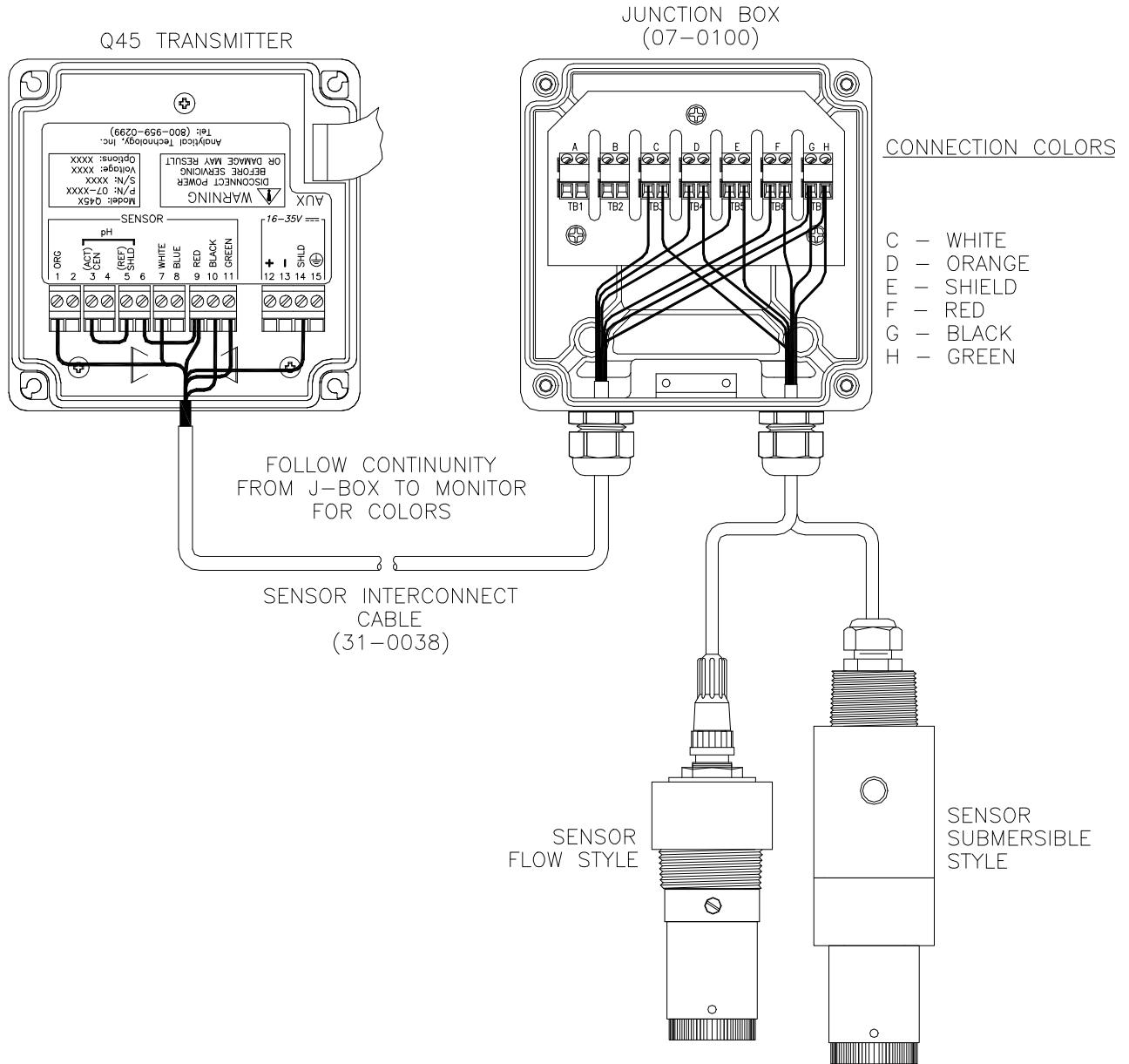
**ELECTRICAL CONNECTIONS - 2-WIRE TRANSMITTER**



- NOTES:** 1. Voltage between Terminals 12 & 13 **MUST** be between 16 & 35 VDC.  
 2. Earth ground into Terminal 15 is **HIGHLY** recommended. This connection can greatly improve stability in electrically noisy environments.

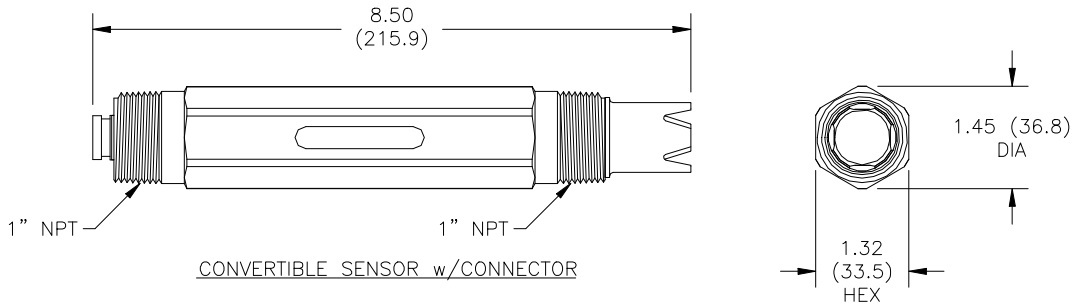


**SENSOR CONNECTIONS - REMOTE JUNCTION BOX**

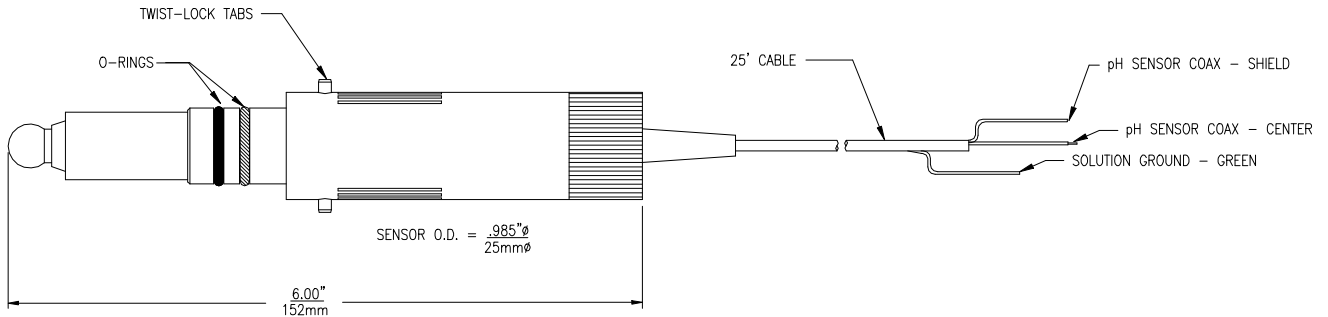


ATI-0714

**Q22 pH SENSOR DIMENSIONS**

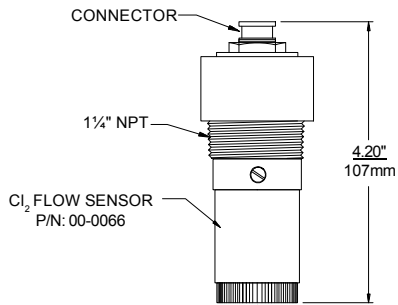


**pH SENSOR (BAYONET STYLE) DIMENSIONS**

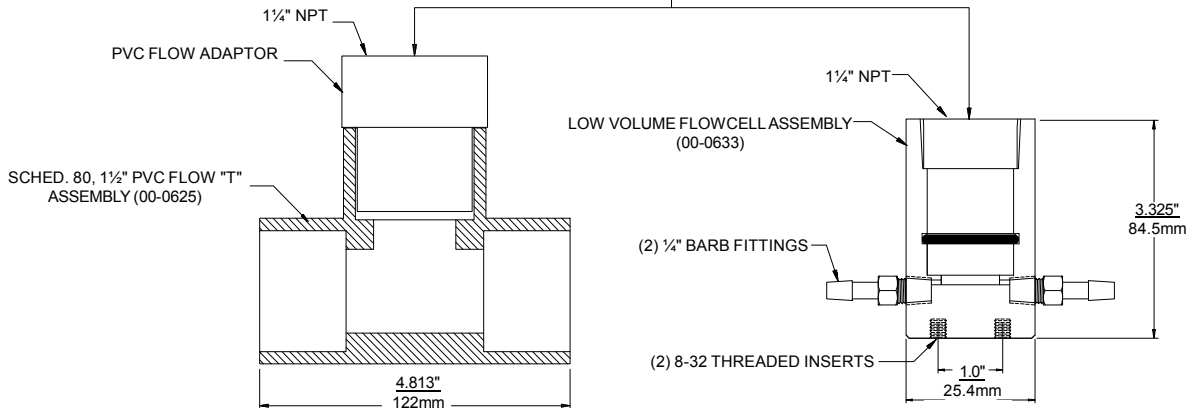


**SPECIAL APPLICATION FLOWCELLS (CONSULT FACTORY)**

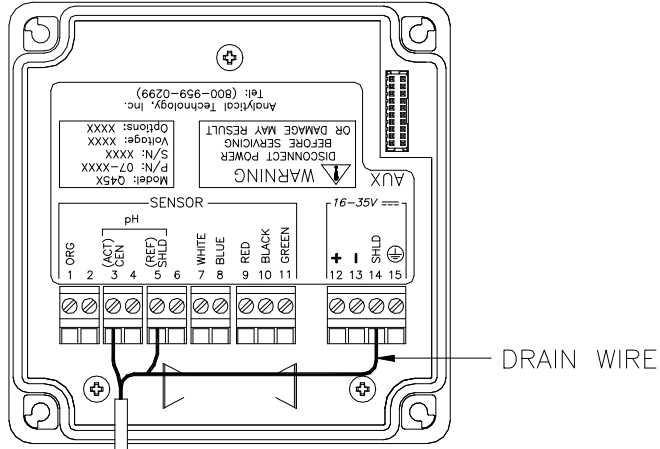
- 1) Sensor Material: Noryl EN265 & Stainless Steel
- 2) Connector is not submersible.
- 3) Outer diameter of sensor: 1.75" Dia. 44.5mm Dia.



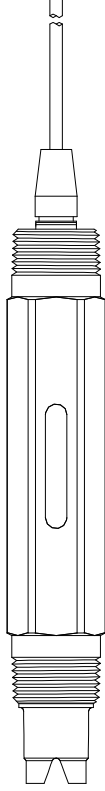
- Flow "T":
- 1) Max. 50 PSI for Flow "T" operation.
  - 2) Use Teflon tape to seal In-Line Sensor.
- Low Volume Flowcell:
- 1) Material: Clear Acrylic



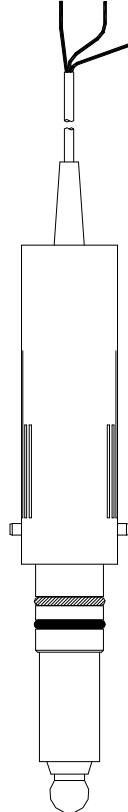
**OPTIONAL pH SENSOR CONNECTIONS**



(07-0096) SENSOR CONNECTIONS  
 RED - 3  
 BLACK - 5  
 SHIELD - 14



(63-0101) SENSOR CONNECTIONS  
 3 - CENTER COND.  
 5 - SHIELD (BRAID)  
 7 - GREEN



ATI-0660

**SENSOR CONNECTIONS - ClO<sub>2</sub> / pH WITH JUNCTION BOX**

**(63-0101) Bayonet Style pH Probe CANNOT be used in a remote application**

