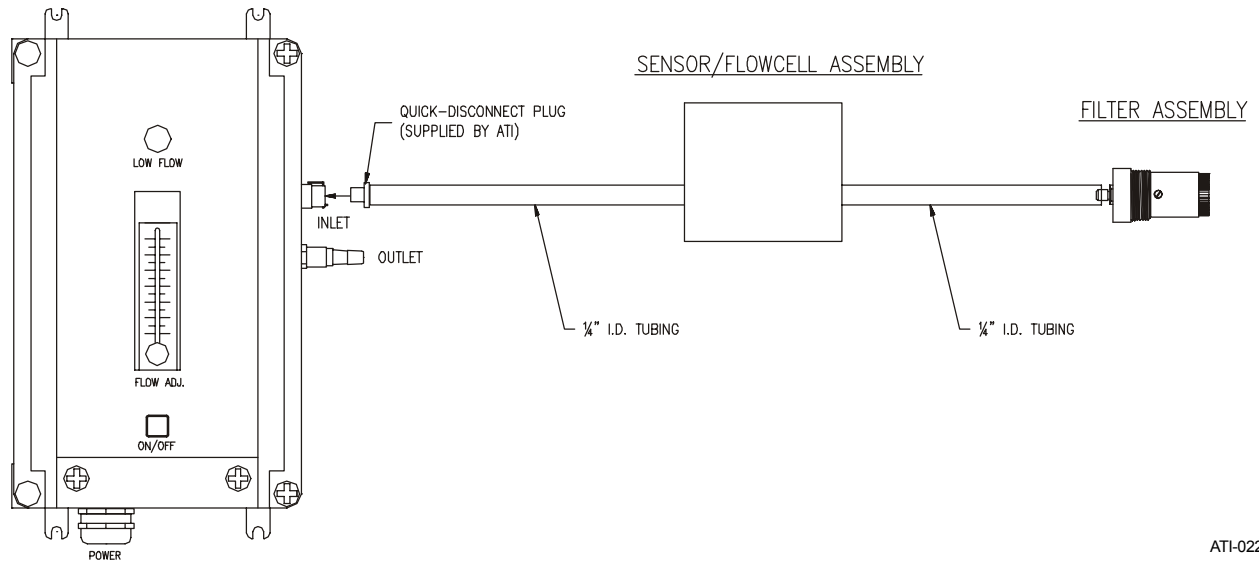
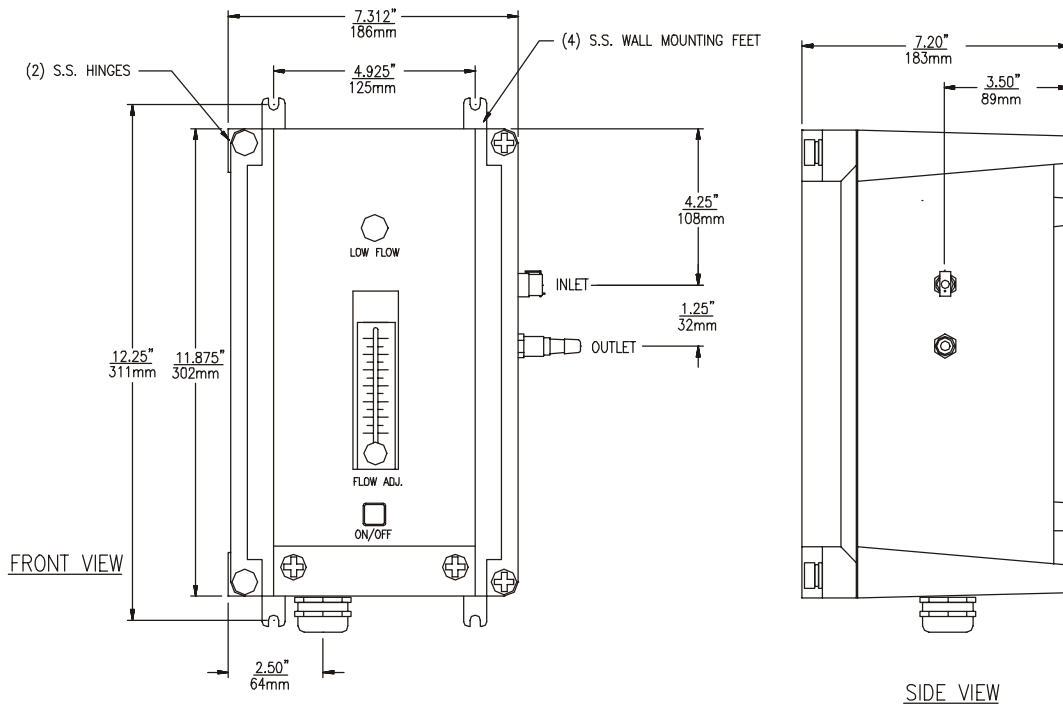


GENERAL ARRANGEMENT DIAGRAM



ATI-0229

GENERAL ARRANGEMENT DIAGRAM

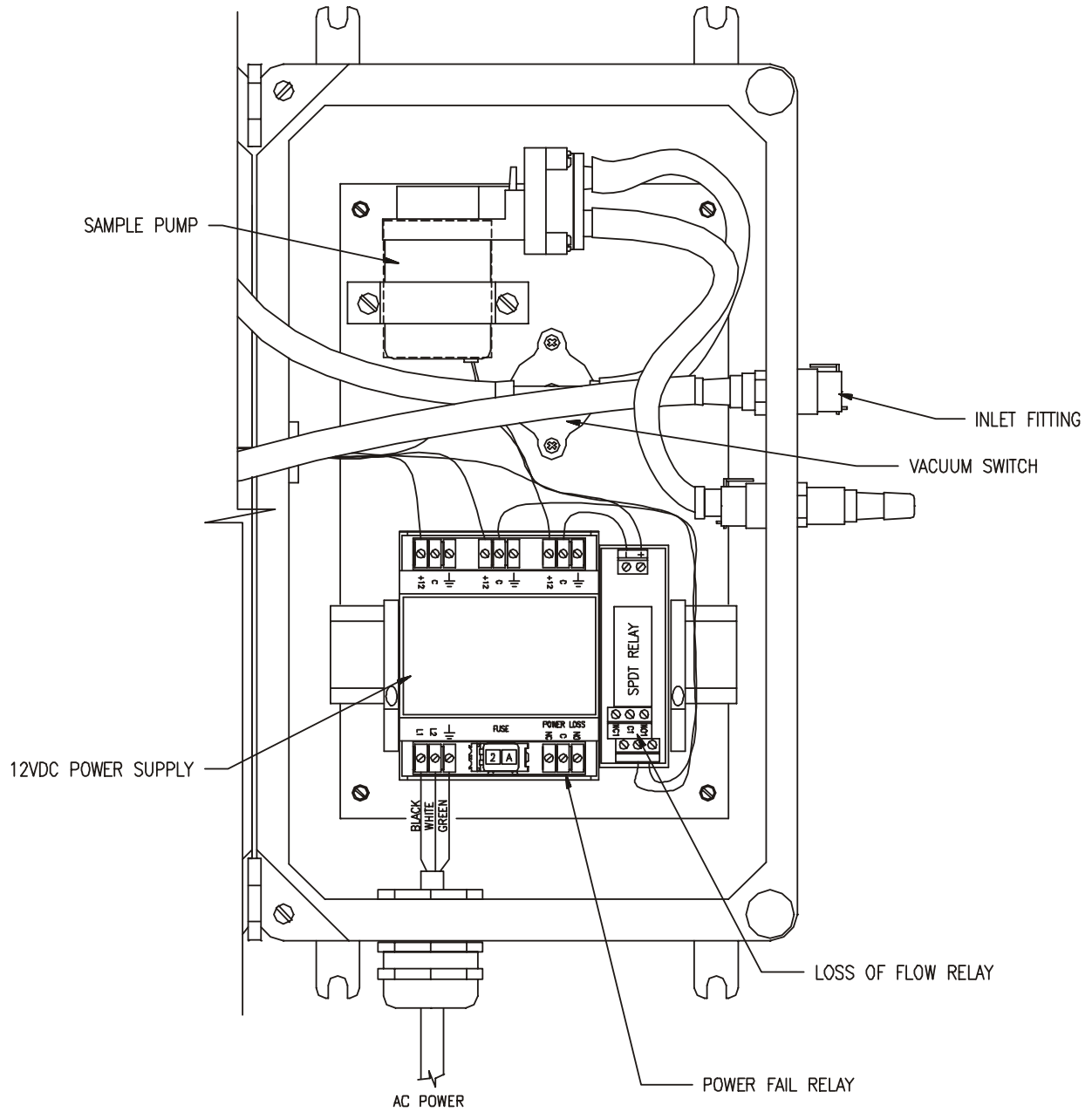


- Enclosure Matl:**
 Base - Molded FRP (Fiberglass Reinforced Polyester)
 Gray in color.
 Cover - Clear Polycarbonate w/ Integral Hinge

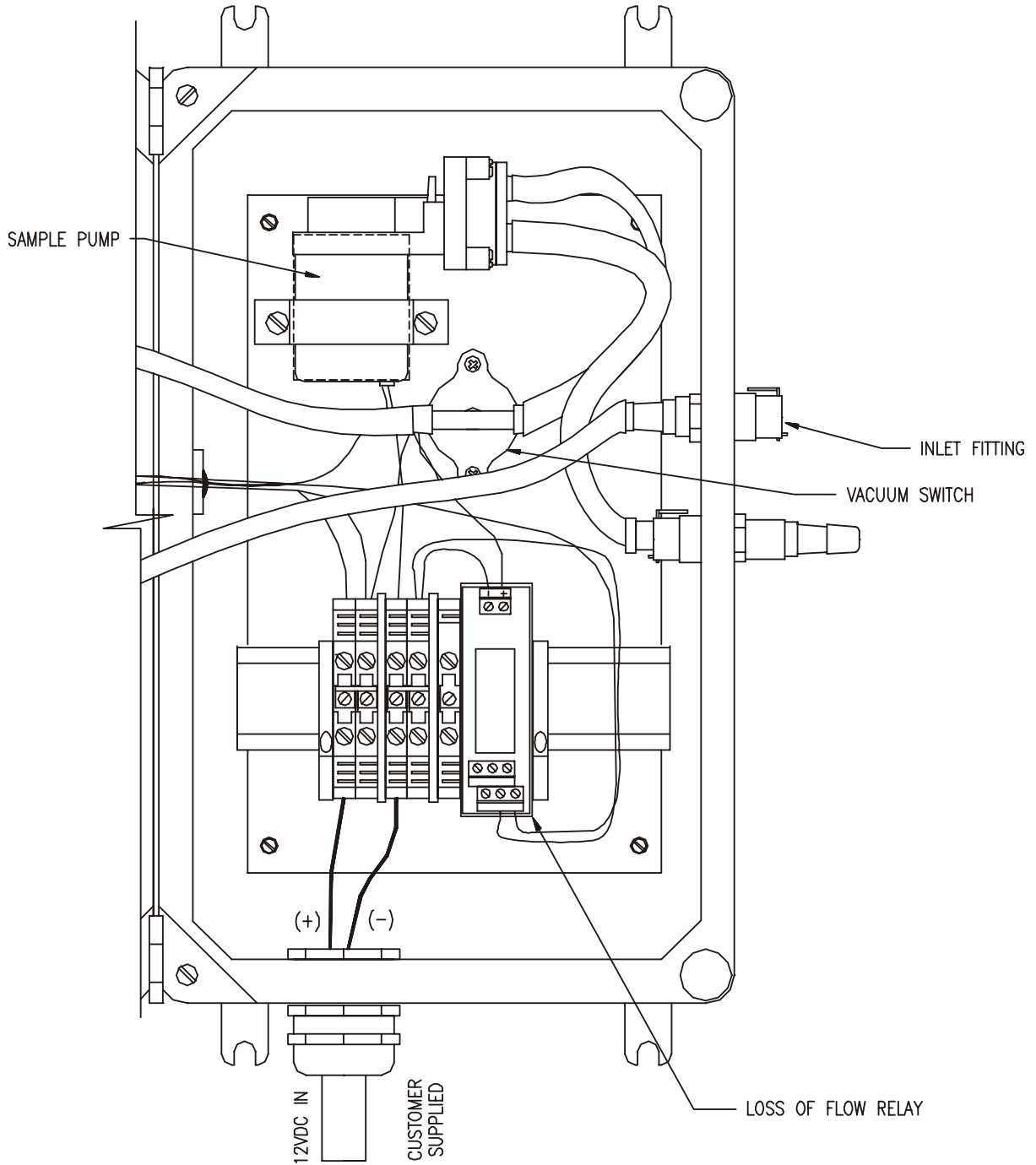
- Ratings:**
 UL Listed per Std. 508
 CSA certified per std. C22.2 No. 94
 Nema rated types 4,4x,6,6P,12 and 13
 CEMA rated types 2,3,4 and 5
 IEC 529 rated IP 67-11

ATI-0228

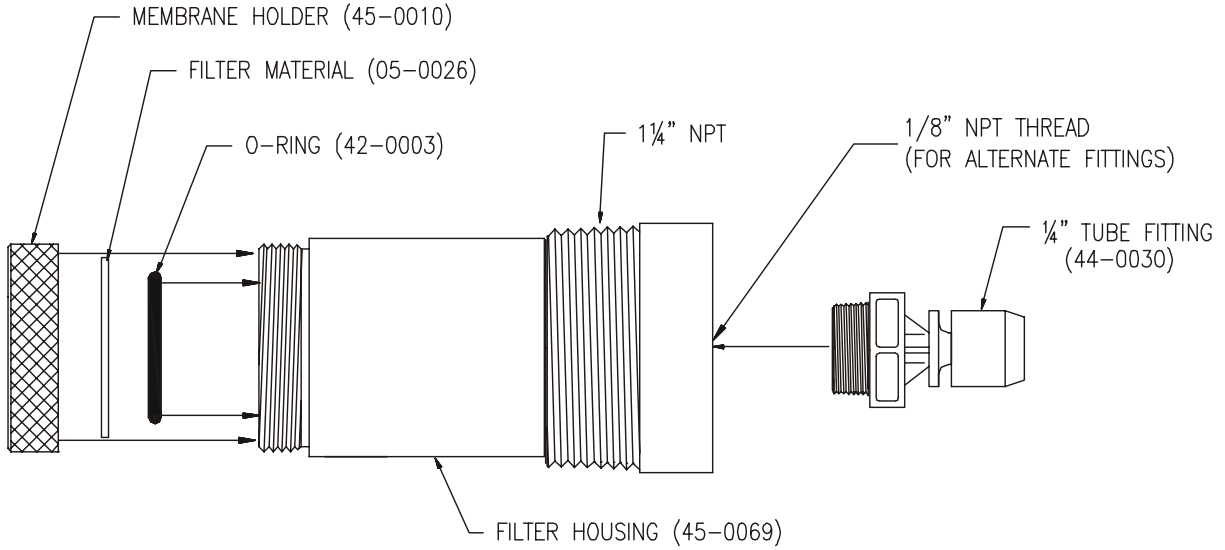
SYSTEM WIRING - 120VAC



SYSTEM WIRING - 12VDC

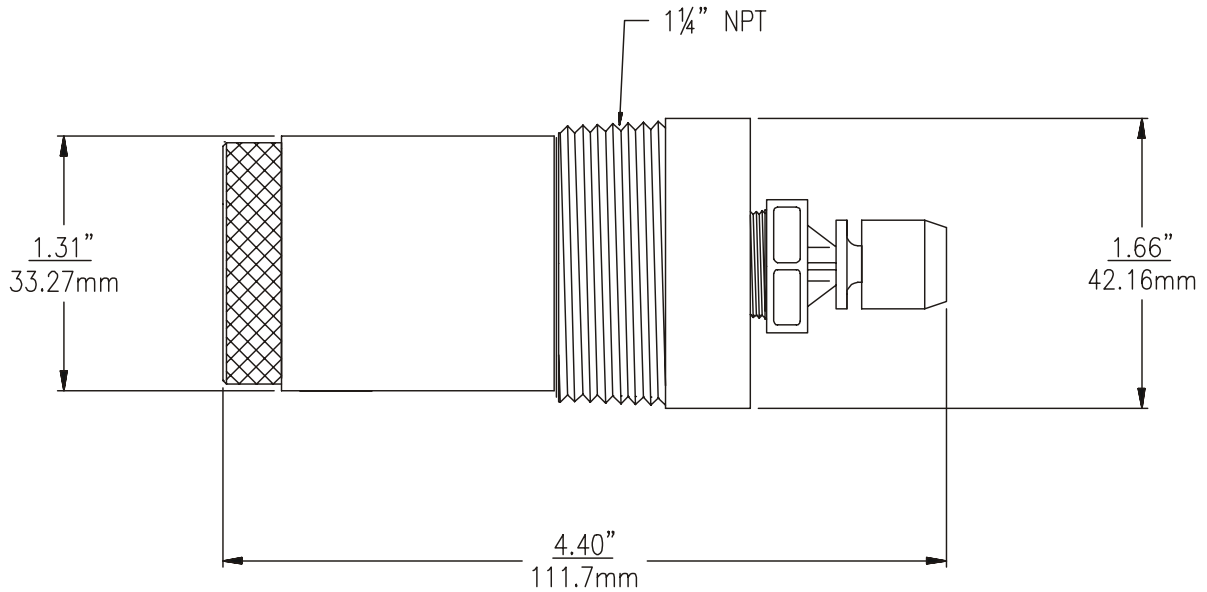


FILTER HOUSING ARRANGEMENT DIAGRAM



ATI-0231

FILTER HOUSING DIMENSIONAL DIAGRAM



ATI-0499